

Customer Information Sheet

DRAWING No.: M80-752XXXX

SHEET 2 OF 2

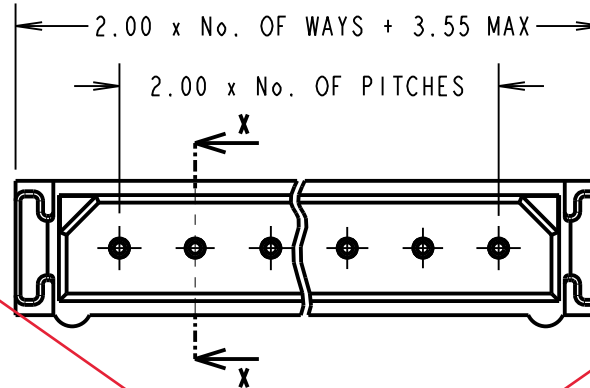
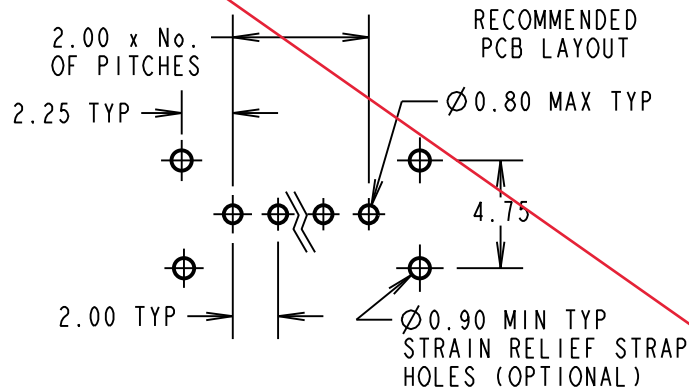
IF IN DOUBT - ASK

©

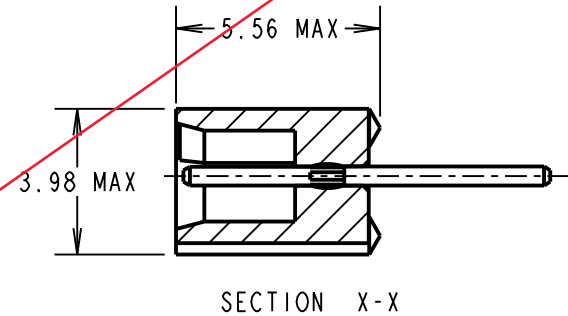
NOT TO SCALE

THIRD ANGLE PROJECTION

ALL DIMENSIONS IN mm

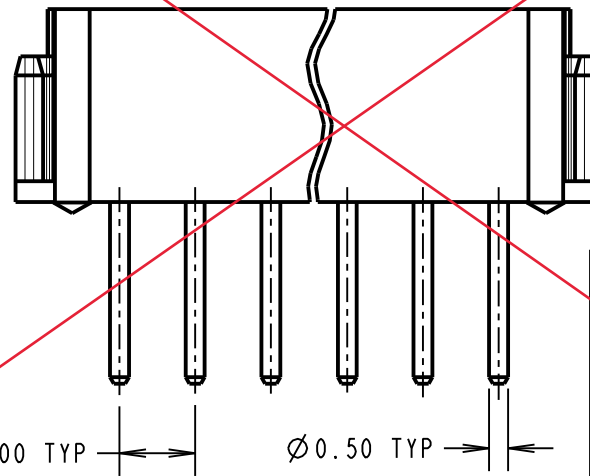


OBSOLETE



SPECIFICATIONS:

- MATERIAL:**
 MOULDING = POLYAMIDE 46 UL94V-0, BLACK
 CONTACTS = PHOSPHOR BRONZE
- FINISH:**
 CONTACTS (ALL OVER NICKEL):
 22 = 0.75µ GOLD ON CONTACT AREA.
 3.0µ TIN/LEAD ON TAILS
 42 = 0.75µ GOLD ON CONTACT AREA.
 3.0µ 100% TIN ON TAILS
 45 = 0.25/0.3µ GOLD BODY, 0.3µ GOLD CLIP
- ELECTRICAL:**
 CURRENT RATING (25°C) = 3.0A MAX.
 CURRENT RATING (85°C) = 2.2A MAX.
 WORKING VOLTAGE = 120V AC/DC
 VOLTAGE PROOF = 360V AC/DC
 CONTACT RESISTANCE:
 INITIAL = 20 mΩ MAX.
 AFTER CONDITIONING = 25 mΩ MAX.
 INSULATION RESISTANCE:
 INITIAL = 1000 MΩ MIN.
 AFTER CONDITIONING = 100 MΩ MIN.
- MECHANICAL:**
 DURABILITY = 500 OPERATIONS
- ENVIRONMENTAL:**
 TEMPERATURE RANGE = -55°C TO +125°C
- PACKING:**
 TUBE
- FOR COMPLETE SPECIFICATION, SEE COMPONENT SPECIFICATION C005XX (LATEST ISSUE)



NOTES:

- 2-OFF STRAIN RELIEF STRAPS M80-0030006 MAY BE USED WITH THIS CONNECTOR.

ORDER CODE:

M80-752XXXX

TOTAL No. OF WAYS
02-07, 17, 22

FINISH

- 22 - GOLD ON CONTACT AREA
TIN/LEAD ON TAILS
- 42 - GOLD ON CONTACT AREA
100% TIN ON TAILS
- 45 - 100% GOLD

SM	3	22.06.11	10832
NAME	ISS.	DATE	C/NOTE
APPROVED: S. MCCULLAGH			
CHECKED: M. G. PLESTED			
DRAWN: JM BROOKES			
CUSTOMER REF.:			
ASSEMBLY DRG:			

HARWIN

HARWIN USA TEL: 603 893 5376 FAX: 603 893 5396 mis@harwin.com	HARWIN Europe (UK) TEL: 023 9231 4545 FAX: 023 9231 4590 mis@harwin.co.uk	HARWIN Asia TEL: +65 6 779 4909 FAX: +65 6 779 3868 mis@harwin.com.sg
--	--	--

THIS DRAWING AND ANY INFORMATION OR DESCRIPTIVE MATTER SET OUT HEREON ARE CONFIDENTIAL AND COPYRIGHT PROPERTY OF THE HARWIN GROUP AND MUST NOT BE DISCLOSED, LOANED, COPIED OR USED FOR MANUFACTURING, TENDERING OR FOR ANY OTHER PURPOSE WITHOUT THEIR WRITTEN PERMISSION.

TOLERANCES
 X. = ±1mm
 X.X = ±0.25mm
 X.XX = ±0.10mm
 X.XXX = ±0.01mm
 ANGLES = ±5°
 UNLESS STATED

MATERIAL:
SEE ABOVE

FINISH: SEE ABOVE

S/AREA: mm²

TITLE: DATAMATE SIL VERTICAL MALE PC TAIL ASSEMBLY - UNLATCHED

DRAWING NUMBER: M80-752XXXX

SHT 2 OF 2