

1

2

3

4

A

A

B

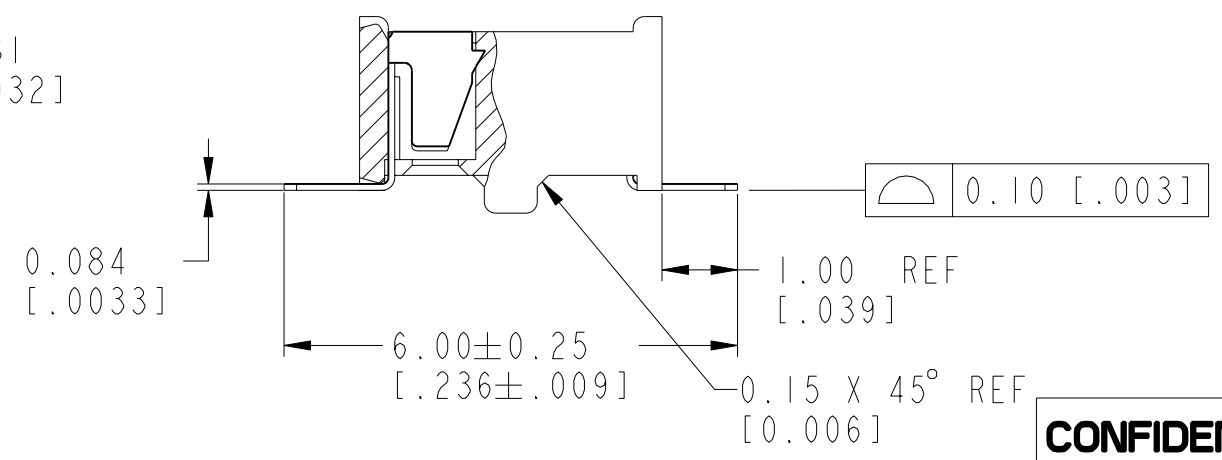
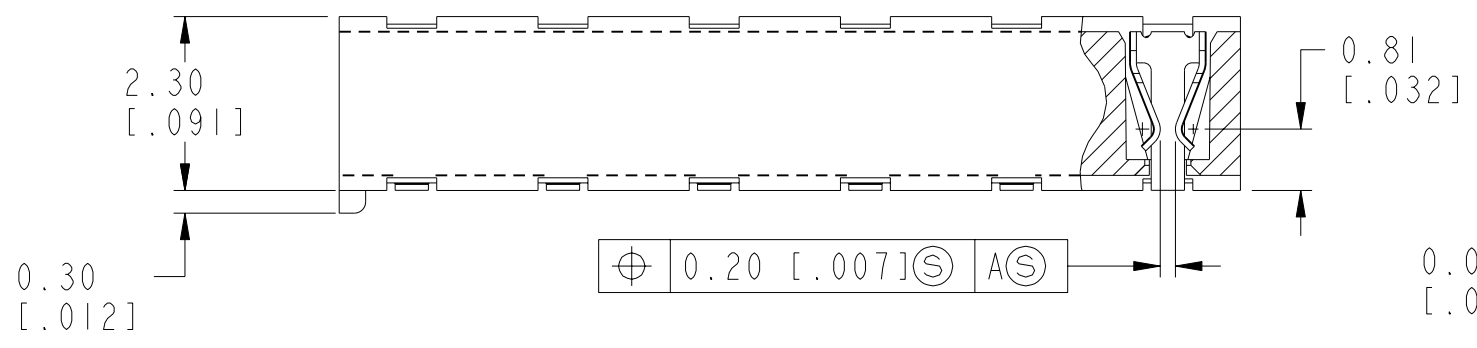
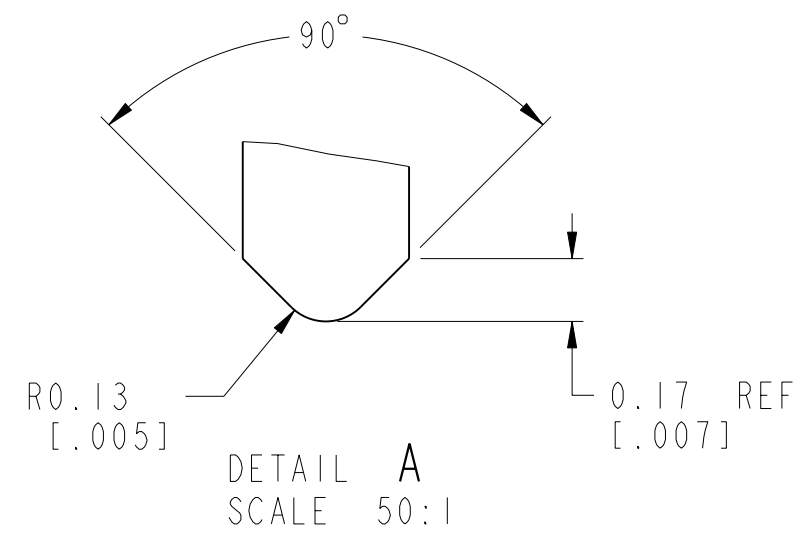
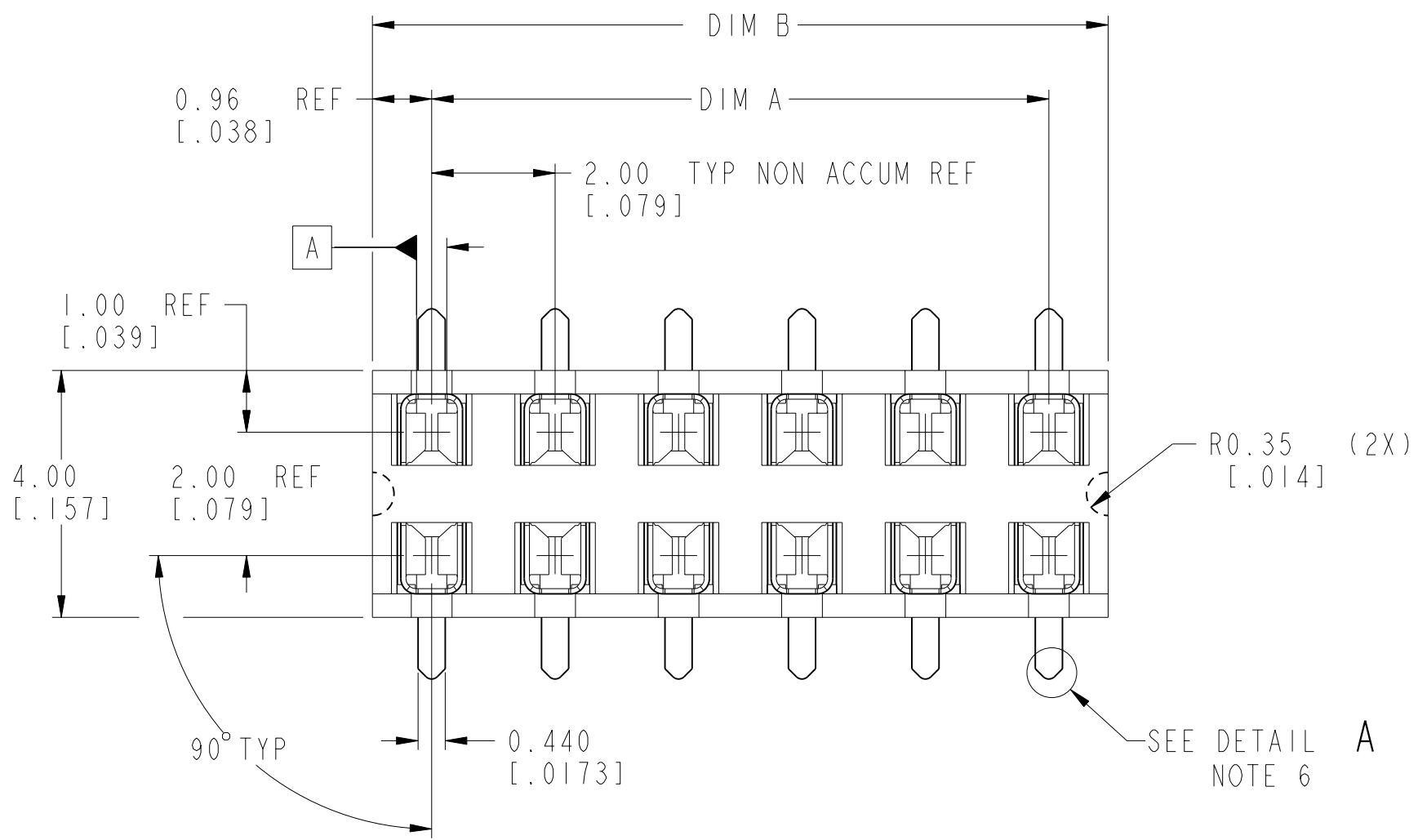
B

C

C

D

D



**CONFIDENTIAL**

|                                                                                                                                                                                                                                                           |         |            |                                                                                       |                                   |                        |
|-----------------------------------------------------------------------------------------------------------------------------------------------------------------------------------------------------------------------------------------------------------|---------|------------|---------------------------------------------------------------------------------------|-----------------------------------|------------------------|
| www.fciconnect.com                                                                                                                                                                                                                                        |         |            | surface - ✓<br>ISO 1302                                                               | tolerance std<br>ISO 406 ISO 1101 | projection<br>MM/INCH  |
|                                                                                                                                                                                                                                                           |         |            | TOLERANCES UNLESS OTHERWISE SPECIFIED                                                 |                                   | size<br>A3             |
| Dr                                                                                                                                                                                                                                                        | BS LOW  | 2000-01-06 | ANGULAR                                                                               | x.xx/.xx<br>±0.3/.01              | Scale<br>5:1           |
| Eng                                                                                                                                                                                                                                                       | BS LOW  | 2000-01-06 | LINEAR                                                                                | x.xx/.xxx<br>±0.13/.005           | ECN<br>S10-0136        |
| Chr                                                                                                                                                                                                                                                       | KH LEE  | 2010-06-28 | 0° ±2°                                                                                | x.xxx/.xxxx<br>±0.051/.0020       | Spec ref<br>-          |
| Appr                                                                                                                                                                                                                                                      | JOEY NG | 2010-06-28 | Product family<br>LPVCC                                                               |                                   |                        |
|                                                                                                                                                                                                                                                           |         |            | <b>LOW PROFILE VCC SMT 2.3 BOTTOM ENTRY</b><br>ASSY WITH 0.30/0.012 LOCATING FEATURES |                                   | dwg no<br><b>91763</b> |
| rev   ecn no   dr   date<br>S   S10-0136   NBR   2010-06-28<br>-   -   -   -<br>L   V94400   BSL   1999-12-01<br>M   S04-0245   KBM   2004-11-18<br>N   S05-0059   KBM   2005-04-20<br>P   S06-0383   KHL   2006-11-20<br>R   S07-0015   KHL   2007-01-09 |         |            | catalog no<br>-                                                                       |                                   | Rev.<br><b>S</b>       |
|                                                                                                                                                                                                                                                           |         |            | <b>CUSTOMER</b>                                                                       |                                   | sheet 1 of 3           |

1

2

3

STATUS: Released

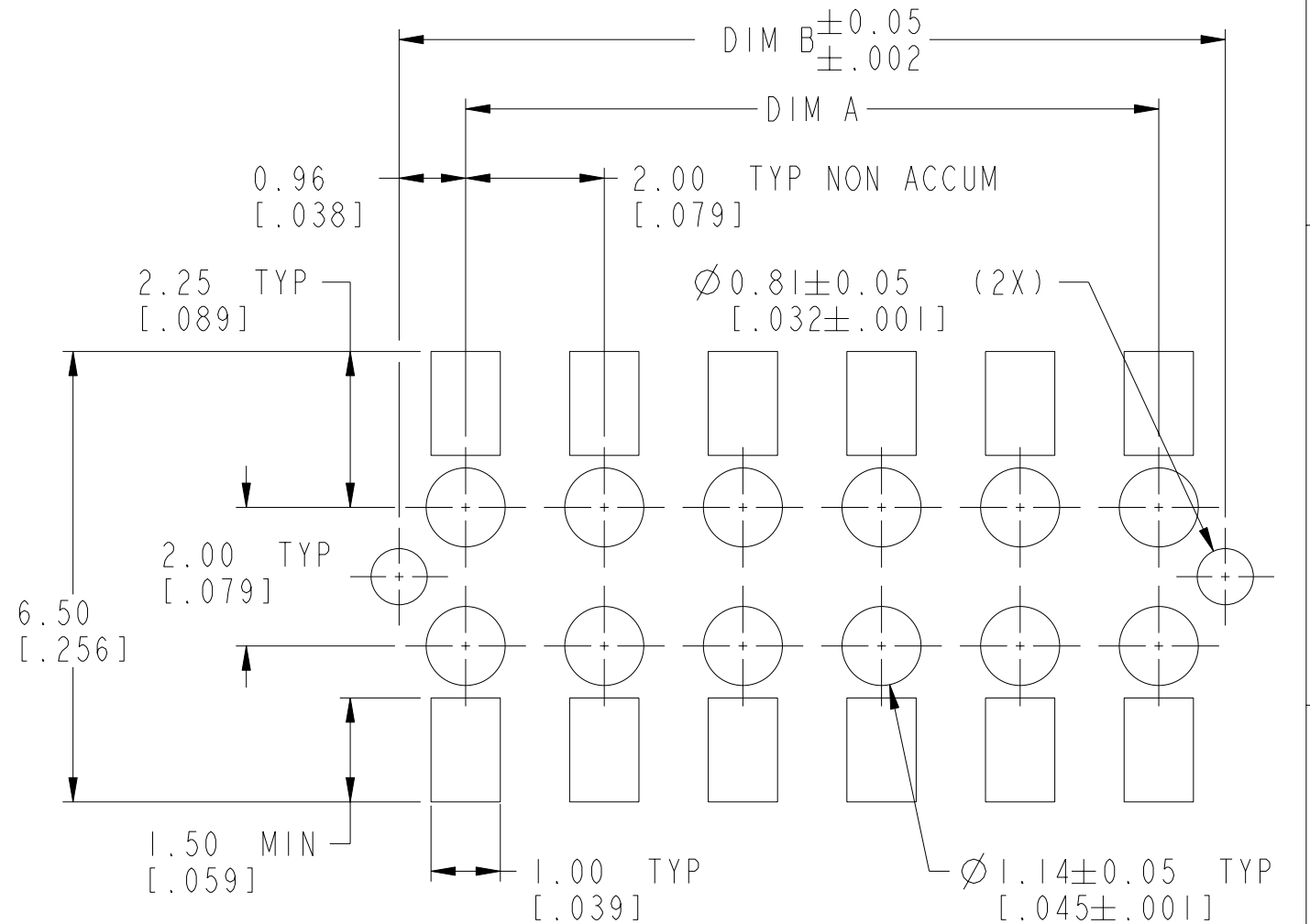
Printed: Nov 27, 2010

PDM: Rev:S

Copyright FCI. FCI

| PRODUCT NO<br>SEE NOTE 4 | POSITIONS | DIM. A        | DIM. B        |
|--------------------------|-----------|---------------|---------------|
| 91763-X04                | 2 X 2     | 2.00 / .079   | 3.92 / .154   |
| -X06                     | 2 X 3     | 4.00 / .158   | 5.92 / .233   |
| -X08                     | 2 X 4     | 6.00 / .236   | 7.92 / .312   |
| -X10                     | 2 X 5     | 8.00 / .315   | 9.92 / .391   |
| -X12                     | 2 X 6     | 10.00 / .394  | 11.92 / .469  |
| -X14                     | 2 X 7     | 12.00 / .472  | 13.92 / .548  |
| -X16                     | 2 X 8     | 14.00 / .551  | 15.92 / .627  |
| -X18                     | 2 X 9     | 16.00 / .630  | 17.92 / .706  |
| -X20                     | 2 X 10    | 18.00 / .709  | 19.92 / .784  |
| -X22                     | 2 X 11    | 20.00 / .787  | 21.92 / .863  |
| -X24                     | 2 X 12    | 22.00 / .866  | 23.92 / .942  |
| -X26                     | 2 X 13    | 24.00 / .945  | 25.92 / 1.020 |
| -X28                     | 2 X 14    | 26.00 / 1.024 | 27.92 / 1.099 |
| -X30                     | 2 X 15    | 28.00 / 1.102 | 29.92 / 1.178 |

| CONTACT AREA PLATING OPTIONS    |
|---------------------------------|
| 0 = 0.20µm/8µ" Au CONTACT AREA  |
| 1 = 0.76µm/30µ" Au CONTACT AREA |
| 3 = 0.38µm/15µ" Au CONTACT AREA |



**RECOMMENDED PAD LAYOUT**

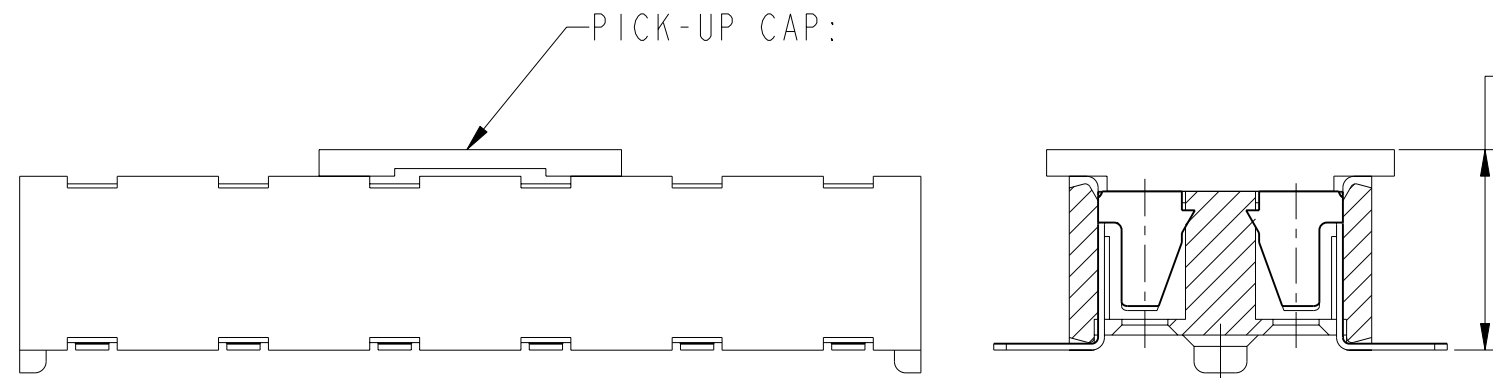


FIG. 1  
NOTE 5(b) & (d)

|                    |         |                                                                                       |                                       |                                   |                         |
|--------------------|---------|---------------------------------------------------------------------------------------|---------------------------------------|-----------------------------------|-------------------------|
| www.fciconnect.com |         |                                                                                       | surface - ✓<br>ISO 1302               | tolerance std<br>ISO 406 ISO 1101 | projection<br>MM / INCH |
|                    |         |                                                                                       | TOLERANCES UNLESS OTHERWISE SPECIFIED |                                   | Scale<br>10:1           |
| Dr                 | BS LOW  | 2000-01-06                                                                            | ANGULAR                               | x.x/.xx ±0.3/.01                  | size<br>A3              |
| Eng                | BS LOW  | 2000-01-06                                                                            | LINEAR                                | x.xx/.xxx ±0.13/.005              |                         |
| Chr                | KH LEE  | 2010-06-28                                                                            | 0° ±2°                                | x.xxx/.xxxx ±0.051/.0020          | ECN<br>S10-0136         |
| Appr               | JOEY NG | 2010-06-28                                                                            | Product family                        | LPVCC                             | Spec ref<br>-           |
|                    |         | <b>LOW PROFILE VCC SMT 2.3 BOTTOM ENTRY</b><br>ASSY WITH 0.30/0.012 LOCATING FEATURES |                                       | dwg no<br><b>91763</b>            | Rev.<br><b>S</b>        |
| catalog no         |         | -                                                                                     |                                       | CUSTOMER                          | sheet 2 of 3            |

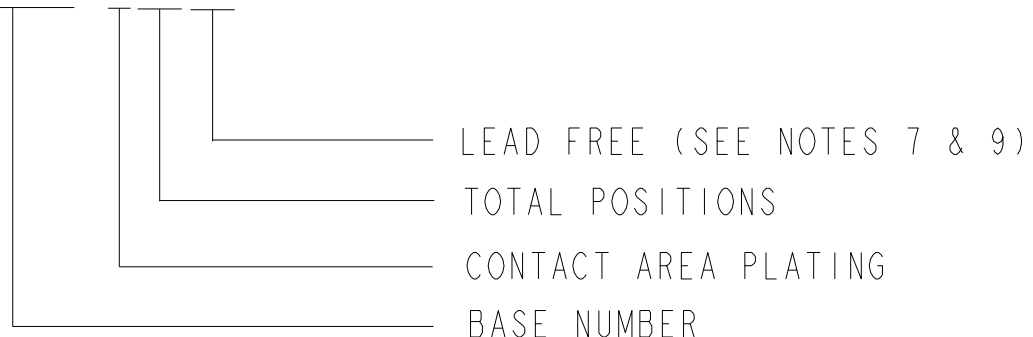
**CONFIDENTIAL**

NOTES:

- 1. HOUSING MATERIAL : HIGH TEMP PLASTIC.
- 2. TERMINAL MATERIAL :BeCu.
- 3. TERMINAL RETENTION 0.5Kg/1.1 Lbs.

④ PRODUCT DESCRIPTION CODE :

XXXXX-XXXLF



- ⑤ PACKAGING :
  - (a) XXXXX-XXX --- STD PACKAGING IN TUBE.
  - (b) XXXXX-XXXTR --- TAPE AND REEL (CONDUCTIVE) PACKAGING WITH PICK-UP CAP ( SEE FIG 1).
  - (c) XXXXX-XXXTRN --- TAPE AND REEL (CONDUCTIVE) PACKAGING WITHOUT PICK-UP CAP.

6. "V" CUT OPTINAL - MANUFACTURING PROCESS OPTION.

- △S ⑦ SOLDERING PLATING:
  - (a) SOLDER OF P/N:91763-XXX IS TIN/LEAD PLATED.
  - (b) SOLDER OF P/N:91763-XXXLF IS GOLD FLASH PLATED.

8. THE HOUSING WILL WITHSTAND EXPOSURE TO 255°C PEAK TEMPERATURE FOR 10 SECONDS IN A CONVECTION, INFRA-RED OR VAPOR PHASE REFLOW OVEN.

- ⑨ THIS PRODUCT MEETS EUROPEAN UNION DIRECTIVES AND OTHER COUNTRY REGULATIONS AS DESCRIBED IN GS-22-008.

- △S ⑩ A △S SYMBOL WILL BE NEXT TO ANY DIMENSION, VIEW OR NOTE WHICH HAS BEEN MODIFIED WITH THE CURRENT DRAWING REVISION.

**CONFIDENTIAL**

|                    |         |            |                                                      |                                |              |              |
|--------------------|---------|------------|------------------------------------------------------|--------------------------------|--------------|--------------|
| www.fciconnect.com |         |            | surface <input checked="" type="checkbox"/> ISO 1302 | tolerance std ISO 406 ISO 1101 | projection   | MM / INCH    |
|                    |         |            | TOLERANCES UNLESS OTHERWISE SPECIFIED                |                                |              |              |
| Dr                 | BS LOW  | 2000-01-06 | ANGULAR                                              | LINEAR                         | x.xx/.xx     | ±0.3/.01     |
| Eng                | BS LOW  | 2000-01-06 |                                                      |                                | x.xx/.xxx    | ±0.13/.005   |
| Chr                | KH LEE  | 2010-06-28 | 0° ±2°                                               | x.xxx/.xxxx                    | ±0.051/.0020 | size A3      |
| Appr               | JOEY NG | 2010-06-28 | Product family LPVCC                                 |                                | ECN S10-0136 | Scale 5:1    |
|                    |         |            | Spec ref -                                           |                                |              |              |
|                    |         |            | title LOW PROFILE VCC SMT 2.3 BOTTOM ENTRY           |                                | dwg no 91763 | Rev. S       |
|                    |         |            | ASSY WITH 0.30/0.012 LOCATING FEATURES               |                                | CUSTOMER     | sheet 3 of 3 |
|                    |         |            | catalog no -                                         |                                |              |              |