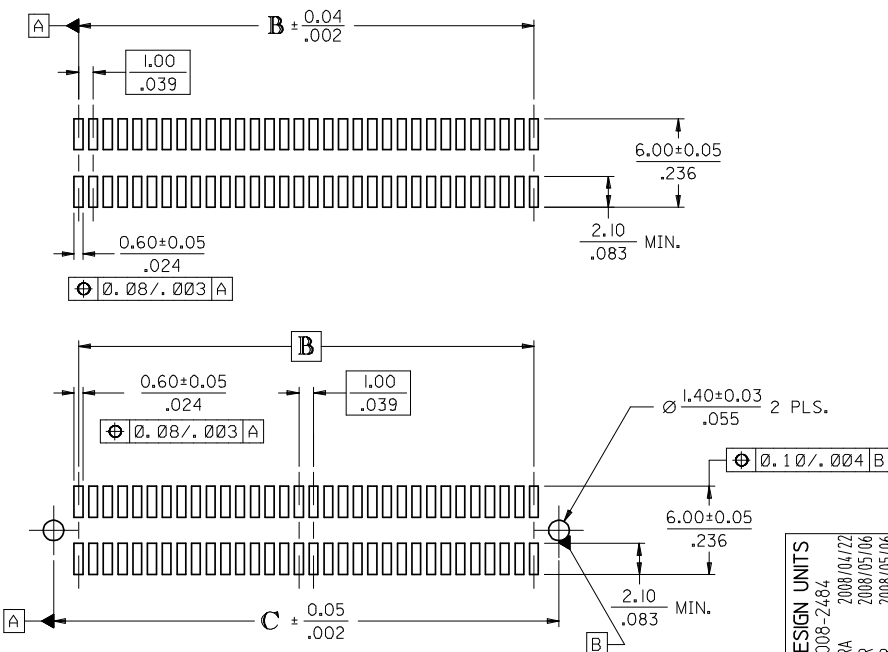


CIRCUIT SIZE	DIM. A	DIM. B	DIM. C	DIM. D
20	13.90 .547	9.00 .354	12.40 .488	12.22 .481
30	18.90 .744	14.00 .551	17.40 .685	17.22 .678
40	23.90 .941	19.00 .748	22.40 .882	22.22 .875
50	28.90 1.138	24.00 .945	27.40 1.079	27.22 1.072
60	33.90 1.335	29.00 1.142	32.40 1.276	32.22 1.269
64	35.90 1.413	31.00 1.220	34.40 1.354	34.22 1.347
70	38.90 1.531	34.00 1.339	37.40 1.472	37.22 1.465
80	43.90 1.728	39.00 1.535	42.40 1.669	42.22 1.662
84	45.90 1.807	41.00 1.614	44.40 1.748	44.22 1.741
90	48.90 1.925	44.00 1.732	47.40 1.866	47.22 1.859
100	53.90 2.122	49.00 1.929	52.40 2.063	52.22 2.056
110	58.90 2.319	54.00 2.126	57.40 2.260	57.22 2.253
120	63.90 2.516	59.00 2.323	62.40 2.457	62.22 2.450

NOTES:

- HOUSING MATERIAL: GLASS FILLED THERMOPLASTIC; UL 94V-0; SEE SHEET 2 FOR COLOR. TERMINAL MATERIAL: PHOSPHOR BRONZE; 0.205/.0080 THICK VACUUM CAP MATERIAL: STAINLESS STEEL; 0.255/.0100 THICK
- PACKAGING FINISH: REFER TO CHART ON SHEET 2
- THIS PART, WHEN MATED WITH MOLEX 1.0mm PLUG CONNECTOR SERIES 71439, CONFORMS TO MOLEX PRODUCT SPECIFICATION PS-71436-9999. REFER TO CHART ON SHEET 2 FOR MATED STACK HEIGHTS FOR THIS RECEPTACLE.
- PACKAGING SPECIFICATIONS: REFER TO CHART ON SHEET 2.
- PEGS ARE OPTIONAL. REFER TO CHART ON SHEET 2.
- VACUUM PICK & PLACE CAP IS OPTIONAL. REFER TO CHART ON SHEET 2.
- THIS PART CONFORMS TO EIA STANDARD 700 AAAB FOR 1.0mm TWO-PART CONNECTORS FOR USE WITH PARALLEL PRINTED BOARDS.
- COPLANARITY OF SMT TAILS: 0.10 MM/.004 INCH MAXIMUM
- 64-CIRCUIT RECEPTACLE ASSEMBLY WITH PEGS AND VACUUM CAP SHOWN FOR ILLUSTRATION PURPOSES ONLY.
- INCH DIMENSIONS SHOWN FOR REFERENCE ONLY.
- ASSEMBLY TO HAVE DATE CODE: XX XX WEEK YEAR



RECOMMENDED PCB LAYOUT (WITH AND WITHOUT PEGS)
 RECOMMENDED PCB THICKNESS: 1.00±0.10/.039±.004

2	D
1	D
SHT	REV

CORRECT DESIGN UNITS EC NO: UCP2008-2484 DRAWN: MSIBARRA CHKD: BBARKER APPR: SMILLER	QUALITY SYMBOLS ▽=0 ▽=0	GENERAL TOLERANCES (UNLESS SPECIFIED) ± mm ± INCH	DIMENSION STYLE MM/IN	SCALE 4:1	DESIGN UNITS METRIC	THIRD ANGLE PROJECTION	
	DRAWN BY RKA	DATE 2004/08/27	CHECKED BY BB	DATE 2004/08/27	APPROVED BY SM	DATE 2004/08/27	TITLE SALES ASSY. 1.0MM BOARD TO BOARD RECP CONNECTOR 5.30/209 HIGH
	MATERIAL NO. SEE TABLE	DOCUMENT NO. SD-71439-001	SHEET NO. 1 OF 2	MOLEX INCORPORATED			
	DRAFT WHERE APPLICABLE MUST REMAIN WITHIN DIMENSIONS						THIS DRAWING CONTAINS INFORMATION THAT IS PROPRIETARY TO MOLEX INCORPORATED AND SHOULD NOT BE USED WITHOUT WRITTEN PERMISSION

WHITE (NATURAL) MATERIAL

PART NUMBER	CIRCUIT SIZE	CONTACT PLATING SEE NOTE BELOW CHARTS	PEGS	PICK & PLACE CAP	PACKAGING SPEC. NUMBER	PACKAGING TYPE
71439-0146	64	30 GOLD	YES	NO	PK-70873-0601	TUBE
	64	50 GOLD	NO	YES	PK-70873-063	TAPE & REEL
	64	30 GOLD	YES	YES	PK-70873-0607	TUBE
71439-9464	64	30 GOLD	YES	YES	PK-70873-063	TAPE & REEL
	64	30 GOLD	NO	NO	PK-70873-0683	TUBE
	64	30 GOLD	NO	YES	PK-70873-0606	TUBE
71439-9864	64	30 GOLD	NO	YES	PK-70873-063	TAPE & REEL
71439-0846	64	30 GOLD	NO	YES	PK-70873-063	TAPE & REEL

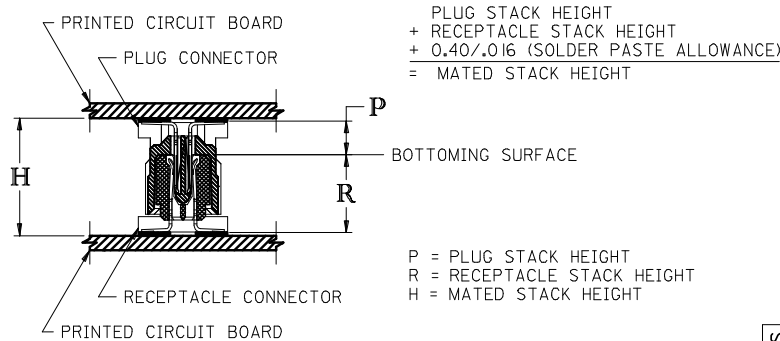
BLACK MATERIAL WITH MATTE PICK & PLACE CAP

PART NUMBER	CIRCUIT SIZE	CONTACT PLATING SEE NOTE BELOW CHARTS	PEGS	PICK & PLACE CAP	PACKAGING SPEC. NUMBER	PACKAGING TYPE
	64	30 GOLD	NO	YES	PK-70873-063	TAPE & REEL

CONTACT PLATING:

30 GOLD - 0.76 MICROMETER/30 MICROINCH MINIMUM GOLD IN CONTACT AREA AND 1.91 MICROMETER/75 MICROINCH MINIMUM TIN IN SOLDER TAIL AREA. NICKEL UNDERPLATE OVER ENTIRE TERMINAL.

50 GOLD - 1.27 MICROMETER/50 MICROINCH MINIMUM GOLD IN CONTACT AREA AND 1.91 MICROMETER/75 MICROINCH MINIMUM TIN IN SOLDER TAIL AREA. NICKEL UNDERPLATE OVER ENTIRE TERMINAL.



RECOMMENDED PLUG/RECEPTACLE COMBINATION FOR MATED STACK HEIGHT PER EIA STANDARD 700 AAAB

MATED STACK HEIGHT	RECEPTACLE HEIGHT	RECEPTACLE SERIES NO.	PLUG HEIGHT	PLUG SERIES NO.
8.00/.315	5.30/.209	71439-0*** & 71439-9***	2.30/.090	71436-0***
9.00/.354	5.30/.209	71439-0*** & 71439-9***	3.30/.130	71436-1***
10.00/.394	5.30/.209	71439-0*** & 71439-9***	4.30/.169	71436-2***

CORRECT DESIGN UNITS EC NO: UCP2008-2484 DRAWN:MSI:BARRA 2008/04/22 CHKD:BBARKER 2008/05/06 APPR:SMILLER 2008/05/06	QUALITY SYMBOLS ▽=0 ▽=0	GENERAL TOLERANCES (UNLESS SPECIFIED) mm INCH 4 PLACES ±--- ±--- 3 PLACES ±--- ±--- 2 PLACES ±--- ±--- 1 PLACE ±--- ±--- ANGULAR ±1/2°	DIMENSION STYLE MM/IN DRAWN BY DATE RKA 2004/08/27 CHECKED BY DATE BB 2004/08/27 APPROVED BY DATE SM 2004/08/27	SCALE --- DESIGN UNITS METRIC THIRD ANGLE PROJECTION	TITLE SALES ASSY, 1.0MM BOARD TO BOARD RECEPTACLE CONNECTOR 5.30/.209 HIGH MOLEX INCORPORATED
	DRAFT WHERE APPLICABLE MUST REMAIN WITHIN DIMENSIONS		MATERIAL NO. SEE TABLE	DOCUMENT NO. SD-71439-001	SHEET NO. 2 OF 2
	THIS DRAWING CONTAINS INFORMATION THAT IS PROPRIETARY TO MOLEX INCORPORATED AND SHOULD NOT BE USED WITHOUT WRITTEN PERMISSION				
	REV D				