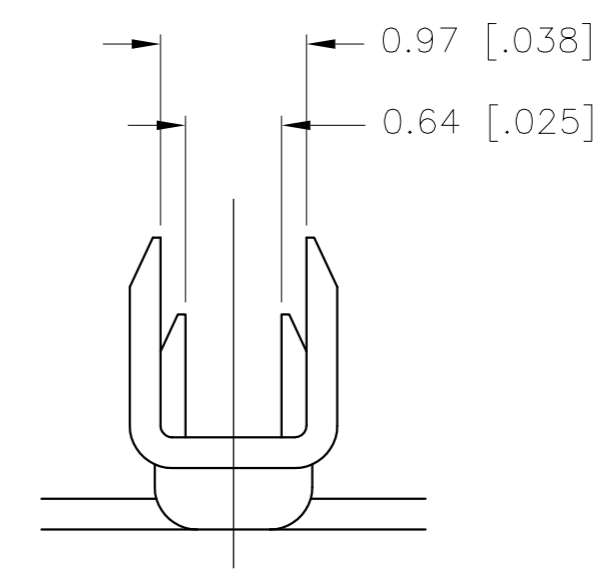
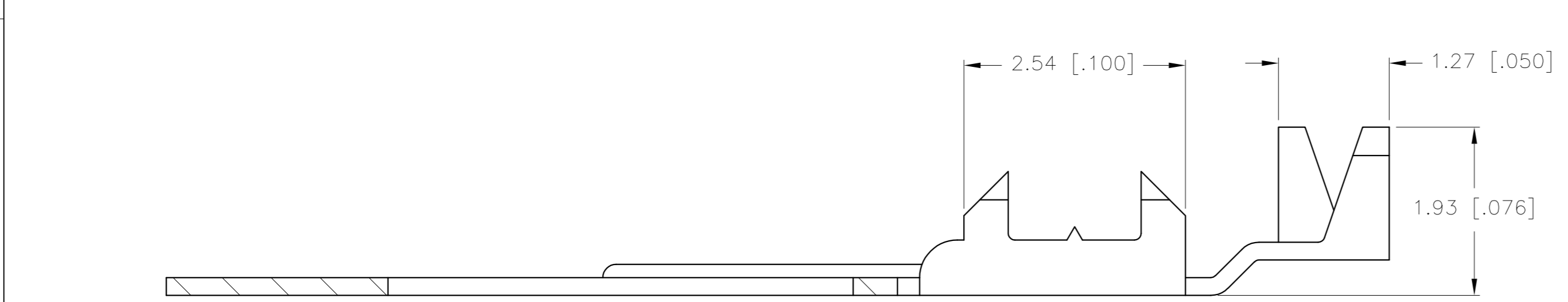
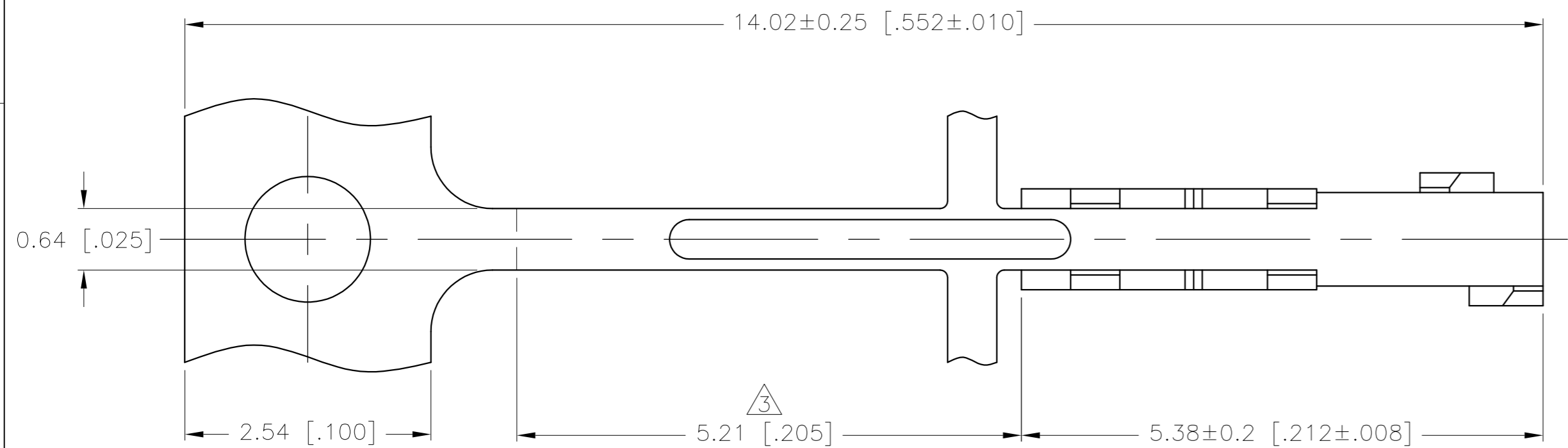


THIS DRAWING IS UNPUBLISHED. RELEASED FOR PUBLICATION
 © COPYRIGHT BY TYCO ELECTRONICS CORPORATION. ALL RIGHTS RESERVED.

LOC	DIST	REVISIONS			
P	LTR	DESCRIPTION	DATE	DWN	APVD
GP	00	A	REVISED PER ECO-07-022535	10NOV07	JDP CWR

- ① PHOSPHOR BRONZE, 0.20[.008] THICK.
- ② 0.00254[.000100] MIN TIN OVER 0.00127[.000050] MIN NICKEL.
- ③ APPLICATOR CUTOFF DIMENSION.



PHYSICAL PROPERTIES	
CONTACT RETENTION FORCE:	44 N
INSERTION FORCE:	1.4 N PER CONTACT
EXTRACTION FORCE:	1 N PER CONTACT
ELECTRICAL PROPERTIES	
CURRENT RATING:	3 AMPS PER PIN
ENVIRONMENTAL PROPERTIES	
TEMPERATURE RATING:	-40°C TO +105°C

1658545-1
PART NUMBER

THIS DRAWING IS A CONTROLLED DOCUMENT.		DWN	J.GERACE	26AUG04	Tyco Electronics Corporation Harrisburg, PA 17105-3608
DIMENSIONS: mm [INCHES]		CHK	S.BOLASH	26AUG04	
TOLERANCES UNLESS OTHERWISE SPECIFIED:		APVD	M.WALMSLEY	26AUG04	
0 PLC ± - 1 PLC ± - 2 PLC ± - 3 PLC ± 0.13[.005] 4 PLC ± - ANGLES ± -		PRODUCT SPEC	NAME		
MATERIAL	FINISH	WEIGHT	SCALE		RESTRICTED TO
①	②	-	A2	00779	-
CUSTOMER DRAWING			CAGE CODE	DRAWING NO	
			③	1658545	
			SCALE	SHEET	REV
			20:1	1 OF 1	A