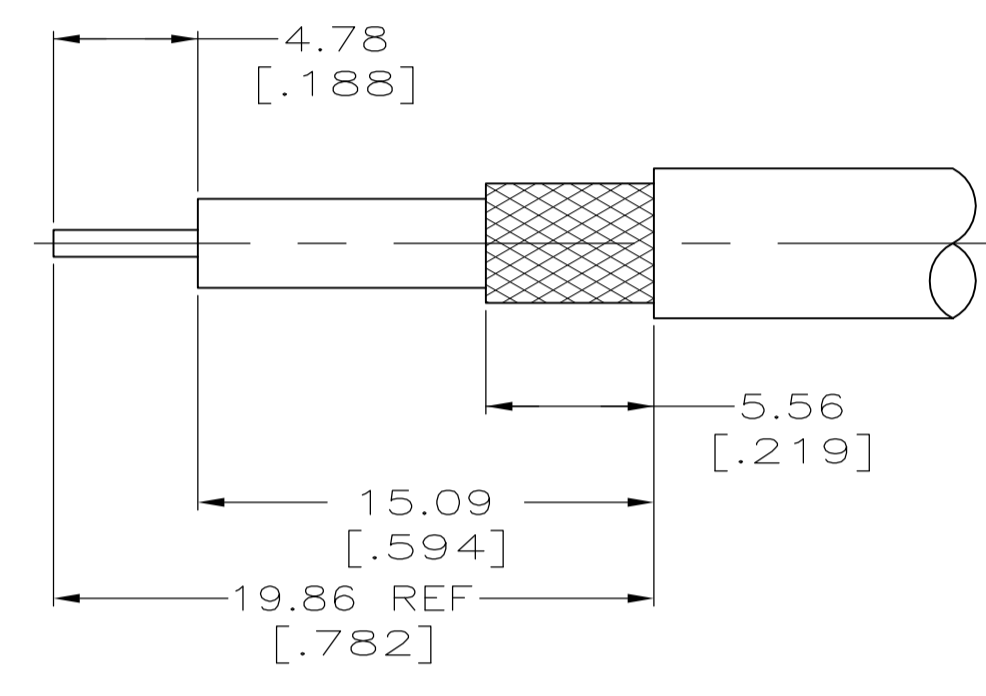
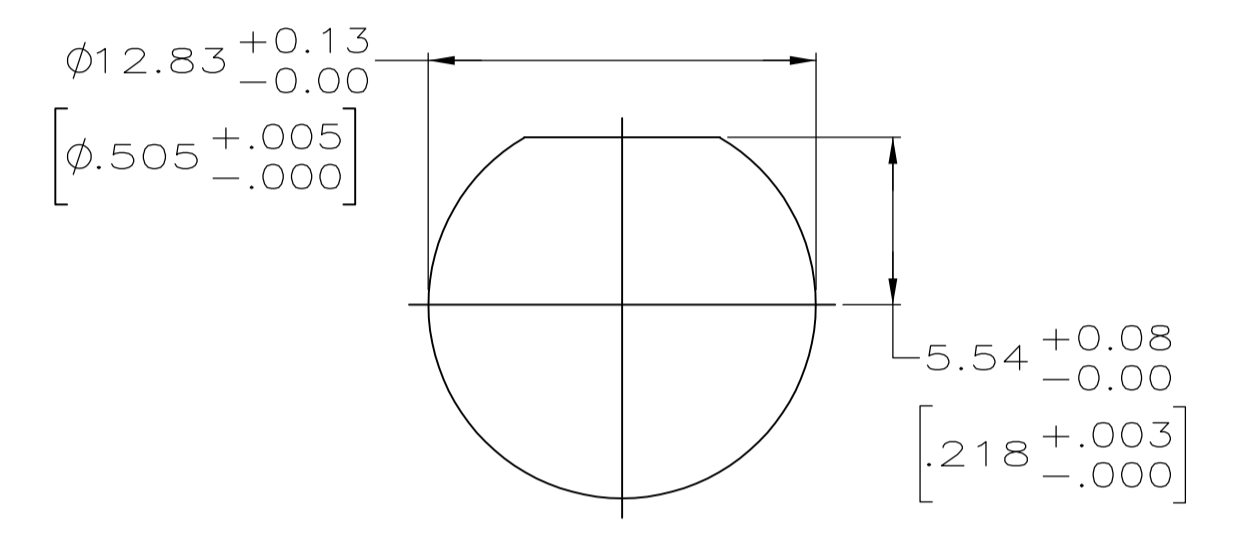


1. MAXIMUM PANEL THICKNESS = 6.10 [.240]
2. USE INSTRUCTION SHEET 408-1914-03



RECOMMENDED PANEL CUTOUT



RECOMMENDED PANEL CUTOUT

| | | | | | | | | | | | | |
|-------|---------|-----------------------------|---------|------------|--------------------|--------------------|------------------------|-------------------|--------------------|--------------------|--------------------------|-------------|
| 34.93 | [1.375] | RD-316 DOUBLE BRAIDED | - | 69477-2 | 21427-4 | 1-329631-2 | 1-329632-2 | 329633 | 9-329049-0 | 1-331368-2 | 1-331786-6 | 1-5225398-5 |
| 34.93 | [1.375] | RG-179/U & 187/U CABLE | .557 OZ | 220009-1 | 21427-4 | 1-329631-2 | 1-329632-2 | 329633 | 9-328666-0 | 1-331368-4 | 1-331786-6 | 5225398-8 |
| 34.93 | [1.375] | RG-174/U & 188/U | .582 OZ | 220009-1 | 21427-4 | 1-329631-2 | 1-329632-2 | 329633 | 9-328666-0 | 1-331368-2 | 1-331786-6 | 5225398-7 |
| 38.10 | [1.500] | RG-142/U,142A/U & 142B/U | - | 220189-3 | - | 1-329631-2 | 1-329632-2 | 329633 | 9-225382-0 | 1-331369-7 | 1-331786-4 | 5225398-6 |
| 38.10 | [1.500] | RG55/U,55A/U,55B/U & 223/U | .568 OZ | 69478-1 | - | 1-329631-2 | 1-329632-2 | 329633 | 9-225382-0 | 1-331369-6 | 1-331786-4 | 5225398-3 |
| 34.93 | [1.375] | RG-58/U,58A/U,58B/U & 58C/U | .582 OZ | 69478-1 | - | 1-329631-2 | 1-329632-2 | 329633 | 9-50427-1 | 1-331369-6 | 1-331786-4 | 5225398-1 |
| L | | CABLE | WEIGHT | CRIMP TOOL | ⑦ BUSHING QTY=1 | ⑥ JAM NUT QTY=1 | ⑤ LOCK WASHER QTY=1 | ④ GASKET QTY=1 | ③ FERRULE QTY=1 | ② CONTACT QTY=1 | ① JACK ASSEMBLY QTY=1 | PART NUMBER |

THIS DRAWING IS A CONTROLLED DOCUMENT.

| | | | | |
|----------------------------|---|--|-------------------------------------|-----------------------------|
| DIMENSIONS: mm [INCHES] | TOLERANCES UNLESS OTHERWISE SPECIFIED: 0. PLC ± - 1. PLC ± - 2. PLC ± 0.41 [016] 3. PLC ± - 4. PLC ± - ANGLES ± - | DRAWN A. FERNANDEZ-DUCKS 31JAN2005 | APPROVED J. LIPPERT 31JAN2005 | NAME JACK, BULKHEAD, BNC |
| MATERIAL | FINISH | SIZE A1 | CAGE CODE 00779 | DRAWING NO. 5225398 |
| CUSTOMER DRAWING | | SCALE 4:1 | SHEET 1 of 1 | REV P |

STE TE Connectivity