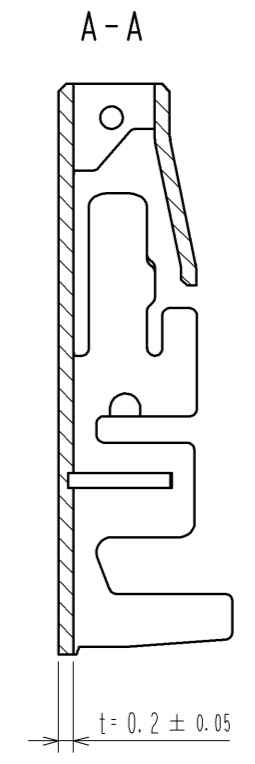
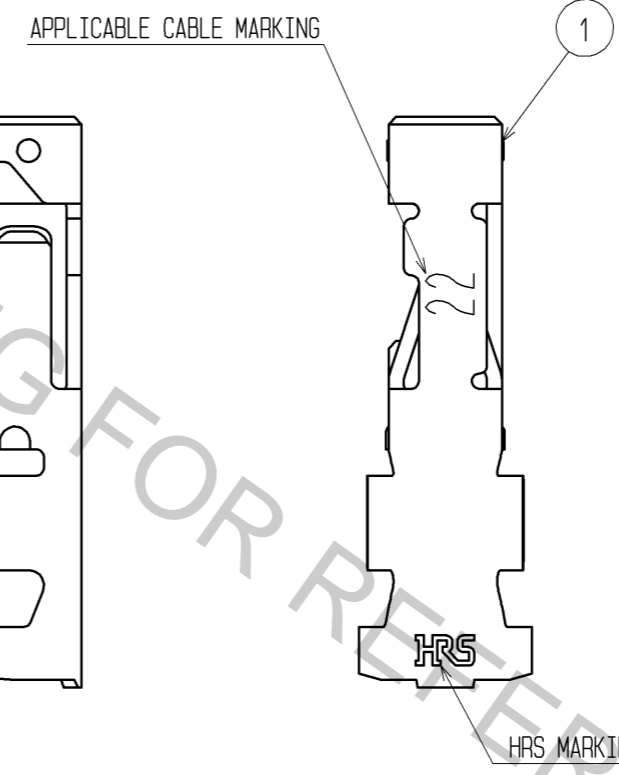
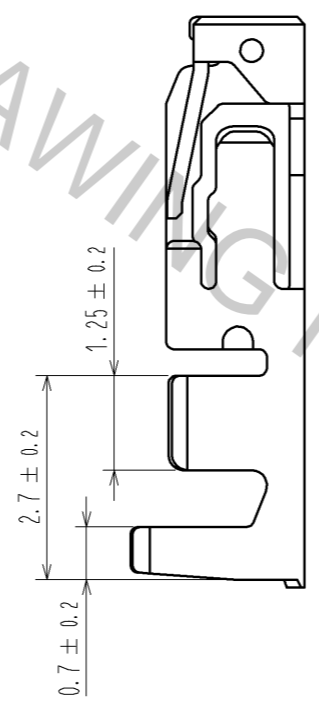
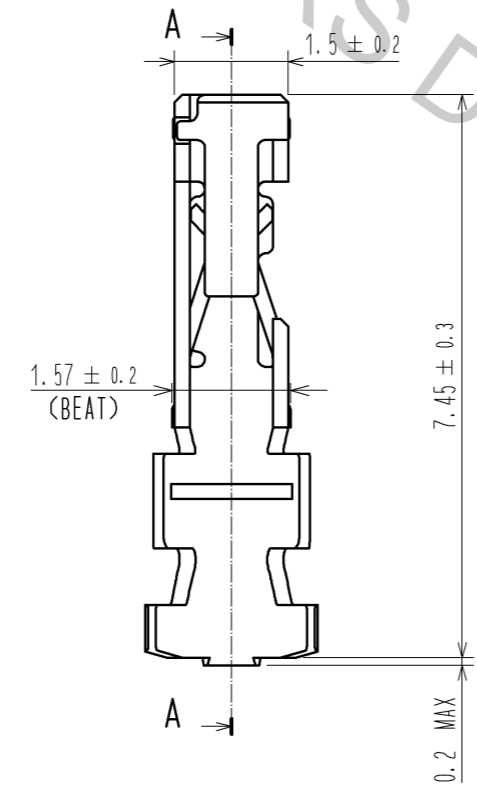
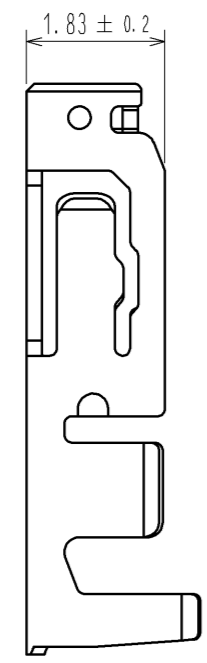
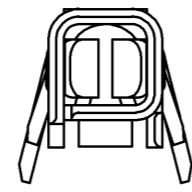


Apr.1.2017 Copyright 2017 HIROSE ELECTRIC CO., LTD. All Rights Reserved.

1 2 3 4 5 6 7 8

A
B
C
D
E
F



NOTE 1. 1PACK:100 CONTACTS

NO.		MATERIAL		FINISH . REMARKS		1		PHOSPHOR BRONZE		TIN PLATING 1μm MIN			
UNITS mm		SCALE 10:1		COUNT		DESCRIPTION OF REVISIONS		DESIGNED		CHECKED		DATE	
HIROSE ELECTRIC CO., LTD.		APPROVED : KI. AKIYAMA		14.04.26		DRAWING NO.		EDC3-352024-00					
		CHECKED : KI. AKIYAMA		14.04.26		PART NO.		DF62-22SC					
		DESIGNED : TS. KUMAZAWA		14.04.25		CODE NO.		CL544-0572-0-00					
		DRAWN : TS. KUMAZAWA		14.04.25									

FORM HC0011-5-7_AN 1 2 3 4 5 6 7 8