


**SACC-M 8MR-4CON-M**

Order No.: 1554209

<http://eshop.phoenixcontact.de/phoenix/treeViewClick.do?UID=1554209>Sensor/actuator connector, angled, 4-pos., M8, solder connection,  
cable diameter max. 5 mm**Commercial data**

GTIN (EAN)	 4 046356 161756
sales group	D120
Pack	1 pcs.
Customs tariff	85444290
Catalog page information	Page 40 (PC-2009)

**Product notes**WEEE/RoHS-compliant since:  
10/05/2006

<http://www.download.phoenixcontact.com>  
Please note that the data given here has been taken from the online catalog. For comprehensive information and data, please refer to the user documentation. The General Terms and Conditions of Use apply to Internet downloads.

**Technical data****General data**

Rated current at 40°C	4 A
Rated voltage	30 V
Number of positions	4
Volume resistance	≤ 3 mΩ
Insulation resistance	≥ 100 MΩ

### General characteristics

Standards/regulations	M8 connector IEC 61076-2-104
Coding	A - standard
Surge voltage category	II
Pollution degree	3
Degree of protection	IP67
Contact material	CuZn
Contact surface material	Au
Contact carrier material	PUR / PA66
Material of grip body	PBT
Material, knurls	Nickel-plated brass
Sealing material	NBR
Type of connection	Solder cup
Conductor cross section stranded min.	0.08 mm <sup>2</sup>
Conductor cross section stranded max.	0.34 mm <sup>2</sup>
Conductor cross section AWG/kcmil min.	28
Conductor cross section AWG/kcmil max	22
External cable diameter	3.5 mm ... 5 mm
Status display	No

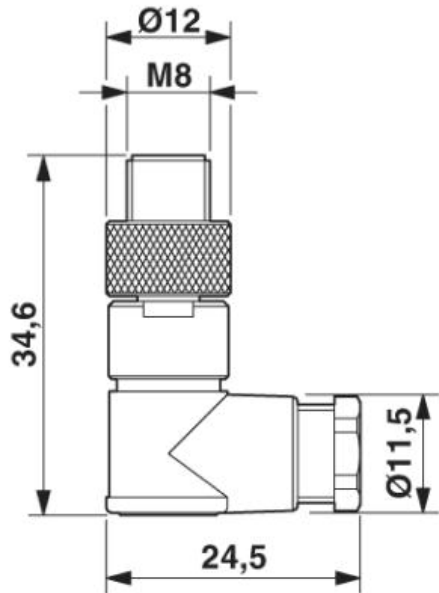
### Accessories

Item	Designation	Description
<b>General</b>		
1436945	SACC-M 8-SET/2,2-3,5	Sensor/actuator connector, accessories, pressure screw and seal, for unshielded M8 connector, cable diameter 2.2 mm - 3.5 mm

**Diagrams/Drawings**

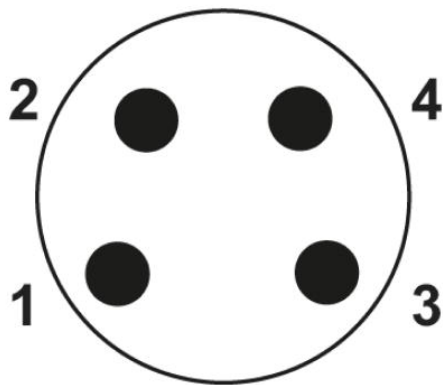
Dimensioned drawing

M8 x 1 male connector, angled version



Schematic diagram

Pin assignment M8 plug, 4-pos., view male side



**Address**

PHOENIX CONTACT Inc., USA  
586 Fulling Mill Road  
Middletown, PA 17057, USA  
Phone (800) 888-7388  
Fax (717) 944-1625  
<http://www.phoenixcon.com>



© 2010 Phoenix Contact  
Technical modifications reserved;