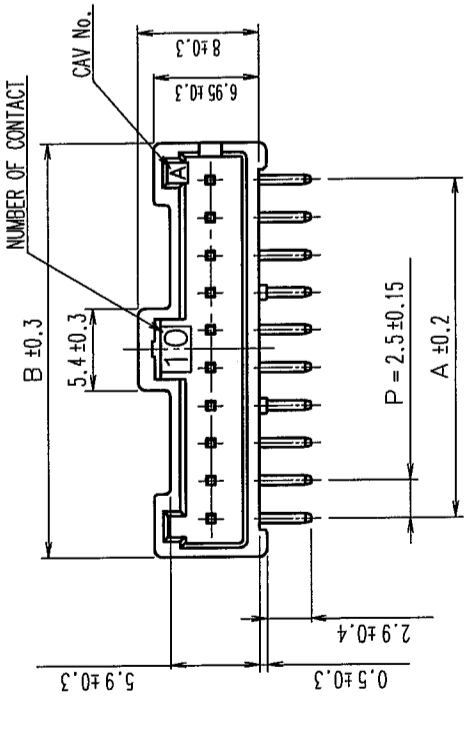
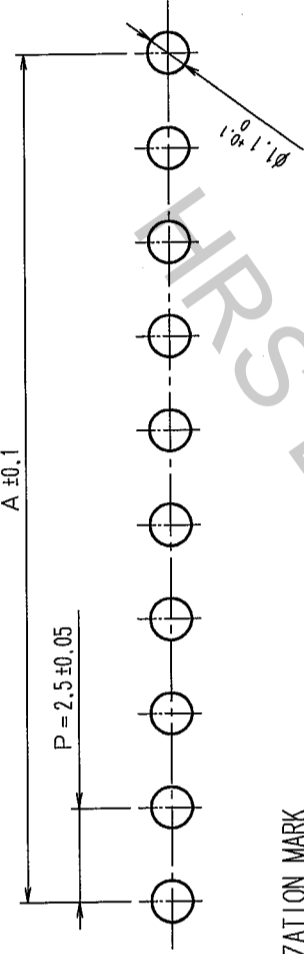


| COUNT | DESCRIPTION OF REVISIONS | BY | CHKD | DATE | COUNT | DESCRIPTION OF REVISIONS | BY | CHKD | DATE |
|-------|--------------------------|----|------|------|-------|--------------------------|----|------|------|
| △ | | | | | △ | | | | |
| △ | | | | | △ | | | | |
| △ | | | | | △ | | | | |

A

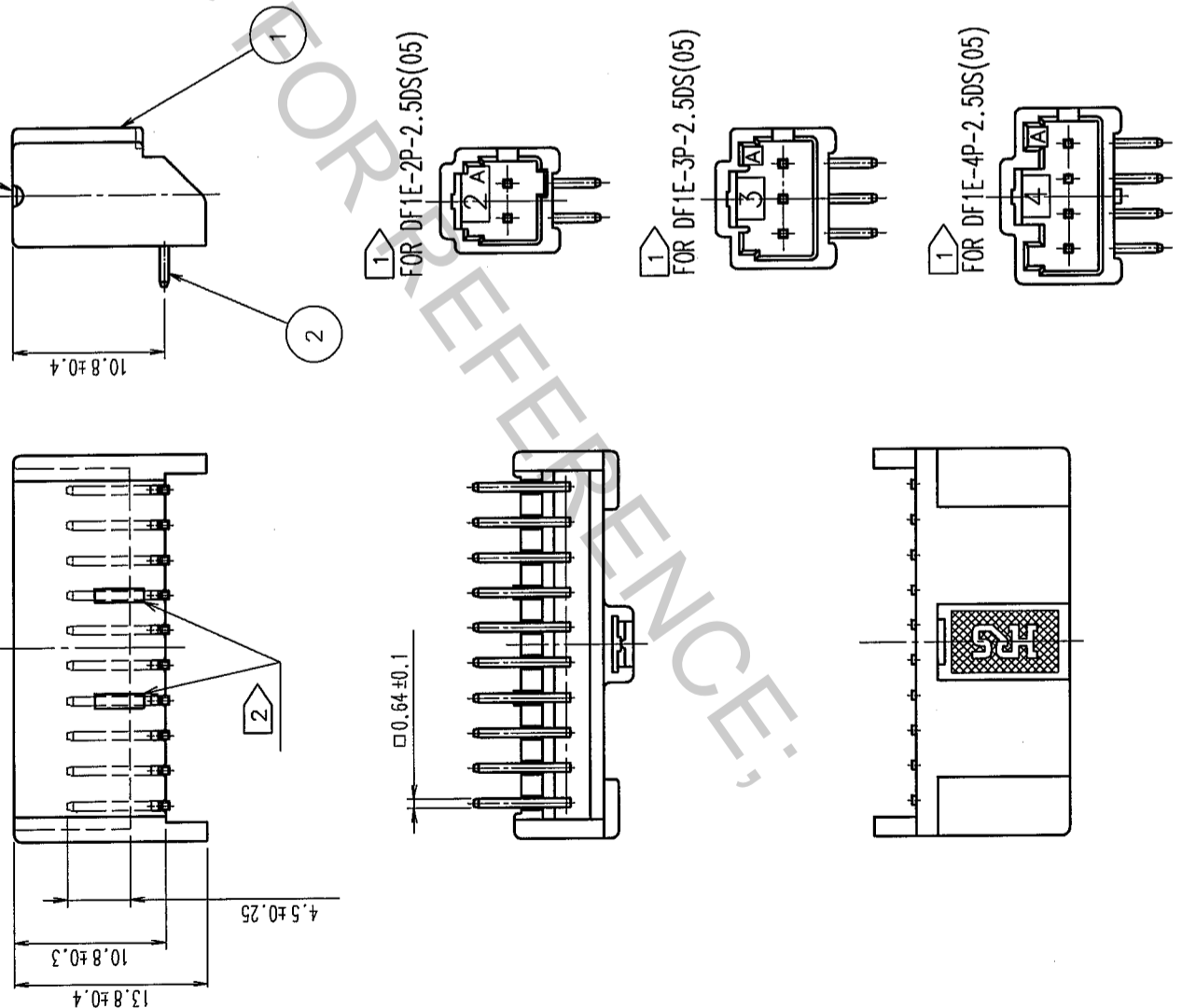


RECOMMENDED PCB LAYOUT(5:1)

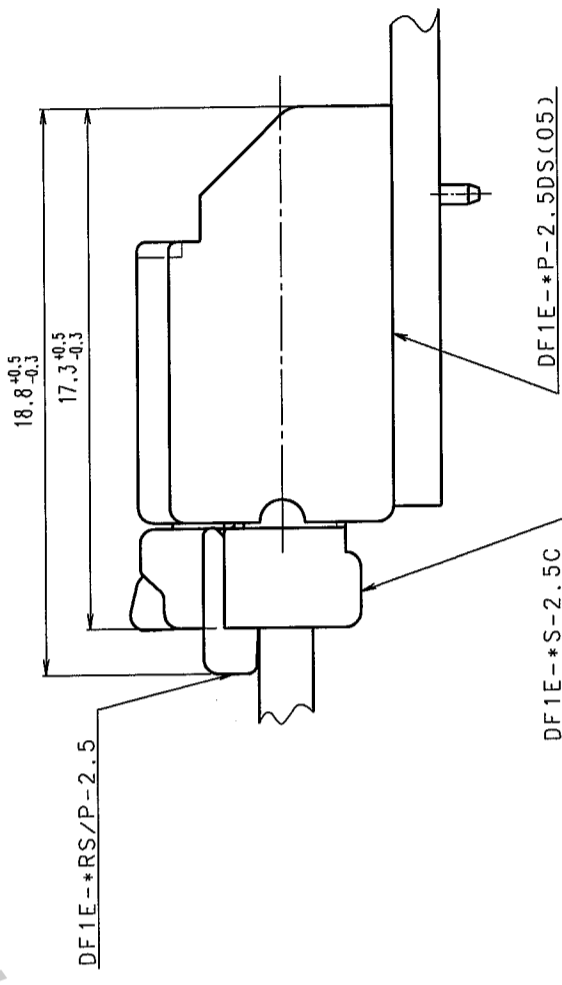


| PART No. | CODE No. | NUMBER OF CONTACT | A | B |
|--------------------|-----------------|-------------------|------|------|
| DF1E-2P-2.5DS(05) | CL541-0985-0-05 | 2 | 2.5 | 7.5 |
| DF1E-3P-2.5DS(05) | CL541-0986-3-05 | 3 | 5.0 | 10.0 |
| DF1E-4P-2.5DS(05) | CL541-0987-6-05 | 4 | 7.5 | 12.5 |
| DF1E-5P-2.5DS(05) | CL541-0988-9-05 | 5 | 10.0 | 15.0 |
| DF1E-6P-2.5DS(05) | CL541-0989-1-05 | 6 | 12.5 | 17.5 |
| DF1E-7P-2.5DS(05) | CL541-0990-0-05 | 7 | 15.0 | 20.0 |
| DF1E-8P-2.5DS(05) | CL541-0991-3-05 | 8 | 17.5 | 22.5 |
| DF1E-9P-2.5DS(05) | CL541-0992-6-05 | 9 | 20.0 | 25.0 |
| DF1E-10P-2.5DS(05) | CL541-0993-9-05 | 10 | 22.5 | 27.5 |
| DF1E-11P-2.5DS(05) | CL541-0994-1-05 | 11 | 25.0 | 30.0 |
| DF1E-12P-2.5DS(05) | CL541-0995-4-05 | 12 | 27.5 | 32.5 |
| DF1E-13P-2.5DS(05) | CL541-0996-7-05 | 13 | 30.0 | 35.0 |
| DF1E-14P-2.5DS(05) | CL541-0997-0-05 | 14 | 32.5 | 37.5 |
| DF1E-15P-2.5DS(05) | CL541-0998-2-05 | 15 | 35.0 | 40.0 |

POLARIZATION MARK



APPLICATION DIAGRAM(4:1)



NOTES
 1: CONFIGURATION OF DF1E-2P-2.5DS(05), DF1E-3P-2.5DS(05) AND DF1E-4P-2.5DS(05).
 2: 2 AND 3 OF CONTACTS MAKE DRAWING FORM (PROJECTION) UNNECESSARY, AND
 4 OF CONTACTS CONSIDERED AS ONE PROJECTION IN THE CENTER.
 3: UL(FILE No. E52653)
 C-UL(FILE No. E52653)

| NO. | MATERIAL | FINISH, REMARKS | NO. | MATERIAL | FINISH, REMARKS |
|-----|-----------|--------------------------|-----|----------|---|
| 1 | POLYAMIDE | NATURAL (BEIGE), UL94V-0 | 2 | BRASS | SURFACE: TIN PLATED 1μm min UNDER PLATING: NICKEL PLATED 0.5μm min |

| CODE NO. (OLD) | CL | DRAWN | DESIGNED | CHECKED | APPROVED | RELEASED |
|----------------|----|------------|------------|-----------|-----------|----------|
| | | F. Matsuki | H. Imamura | J. Ono | J. Ono | |
| | | '04.04.14 | '04.04.14 | '04.04.15 | '04.04.15 | |

| DRAWING NO. | PART NO. |
|----------------|-------------------|
| EDC3-161951-01 | DF1E-*P-2.5DS(05) |

| SCALE | UNITS | CODE NO. |
|-------|-------|----------|
| 2 : 1 | mm | CL541 |