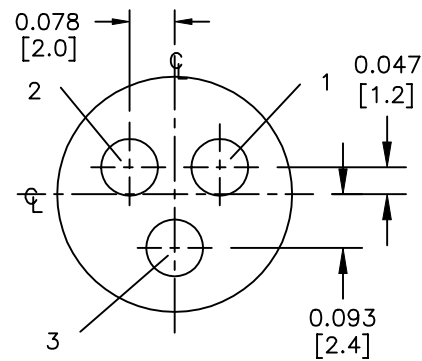
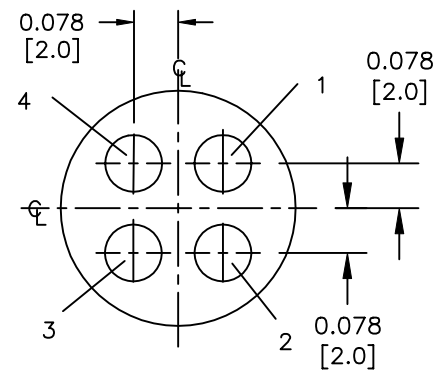


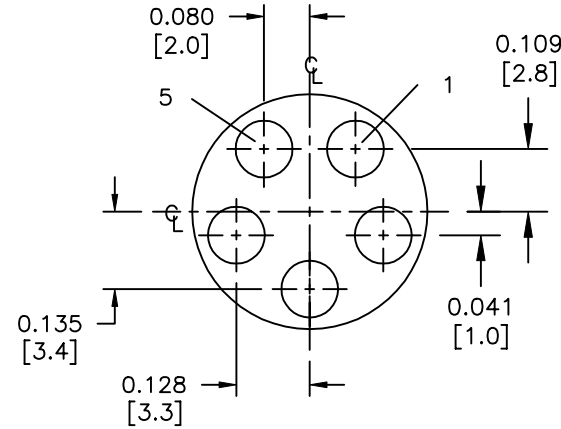
2-#16  
PC TAIL DIA. 0.048 ±0.001 REF.



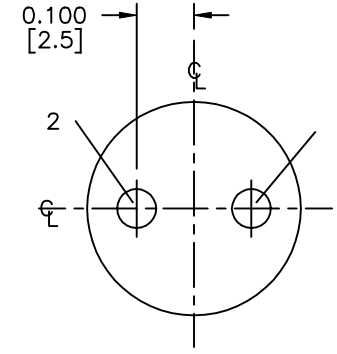
3-#16  
PC TAIL DIA. 0.048 ±0.001 REF.



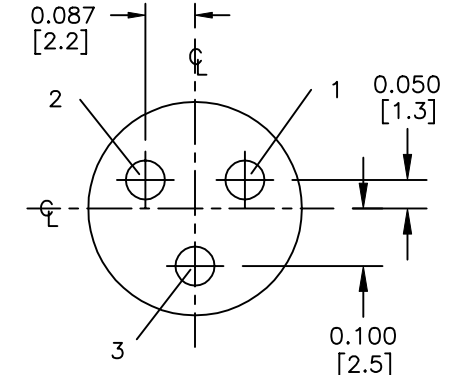
4-#16  
PC TAIL DIA. 0.048 ±0.001 REF.



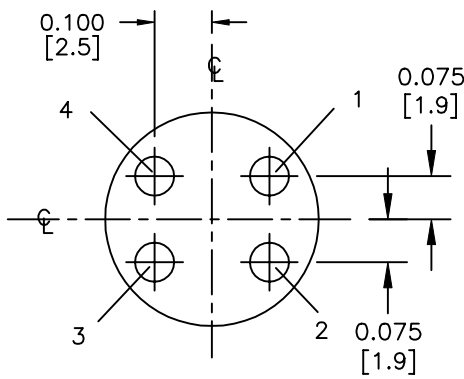
5-#16  
PC TAIL DIA. 0.048 ±0.001 REF.



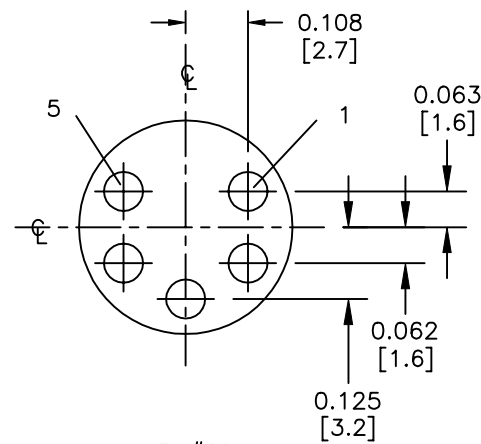
2-#20  
PC TAIL DIA. 0.0395 ±0.001 REF.



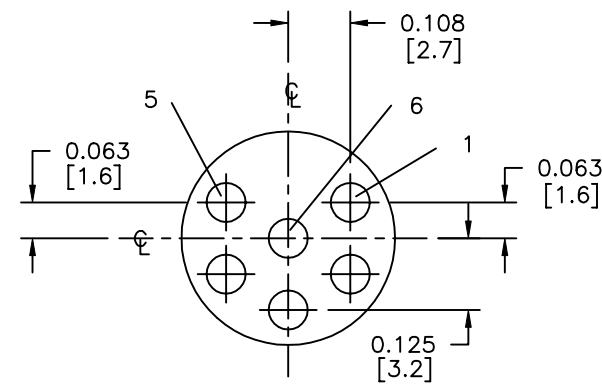
3-#20  
PC TAIL DIA. 0.0395 ±0.001 REF.



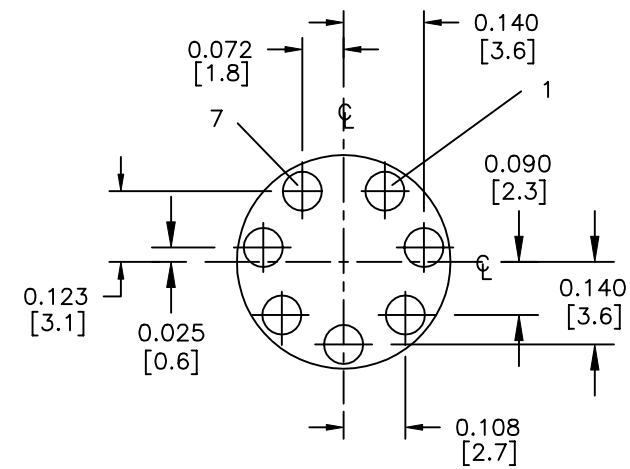
4-#20  
PC TAIL DIA. 0.0395 ±0.001 REF.



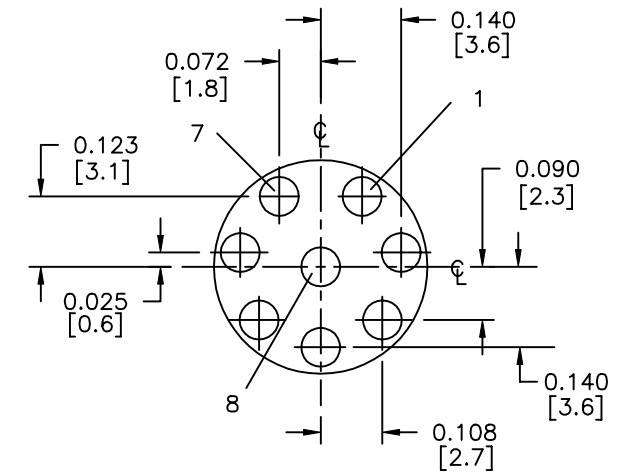
5-#20  
PC TAIL DIA. 0.0395 ±0.001 REF.



6-#20  
PC TAIL DIA. 0.0395 ±0.001 REF.



7-#20  
PC TAIL DIA. 0.0395 ±0.001 REF.  
PANEL PIN ONLY



8-#20  
PC TAIL DIA. 0.0395 ±0.001 REF.  
PANEL PIN ONLY

WIRE VIEWS

CUSTOMER APPROVAL

CHECKED BY: \_\_\_\_\_  
 APPROVED BY: \_\_\_\_\_  
 DATE: \_\_\_\_\_

C	AN	03-13-06	ADDED CUSTOMER PRINT PER DOR 04-E149JC AND ECR 6107
REV.	INIT.	DATE	DESCRIPTION
ALL INFORMATION ILLUSTRATED IS THE PROPERTY OF CONKALL CORPORATION. UNAUTHORIZED DUPLICATION OR DISTRIBUTION OF THIS DOCUMENT IS PROHIBITED.			ORIG. DRAWN BY: _____ DATE: 04-27-99 CHECKED BY: _____ APPROVED BY: _____
ALL UNITS ARE IN FEET, INCHES, FRACTION OF INCHES AND DECIMALS. UNLESS OTHERWISE SPECIFIED TOLERANCES: 3 PLACE DECIMALS ±0.005 ANGLES ±1° FRACTIONS ±1/16 ▽ = CRITICAL CHARACTERISTIC FLAG PER SPEC. XXXX			601 E. WILDWOOD VILLA PARK, IL 60181 TITLE: HOLE PATTERNS MINI-CON-X CUSTOMER: _____ PART NUMBER: HPMISTD REV. C
SCALE	SIZE	SHEET	
3:1	B	1 OF 1	
FILE:	DIRECTORY:		
HPMISTDSH1	DETAILS		