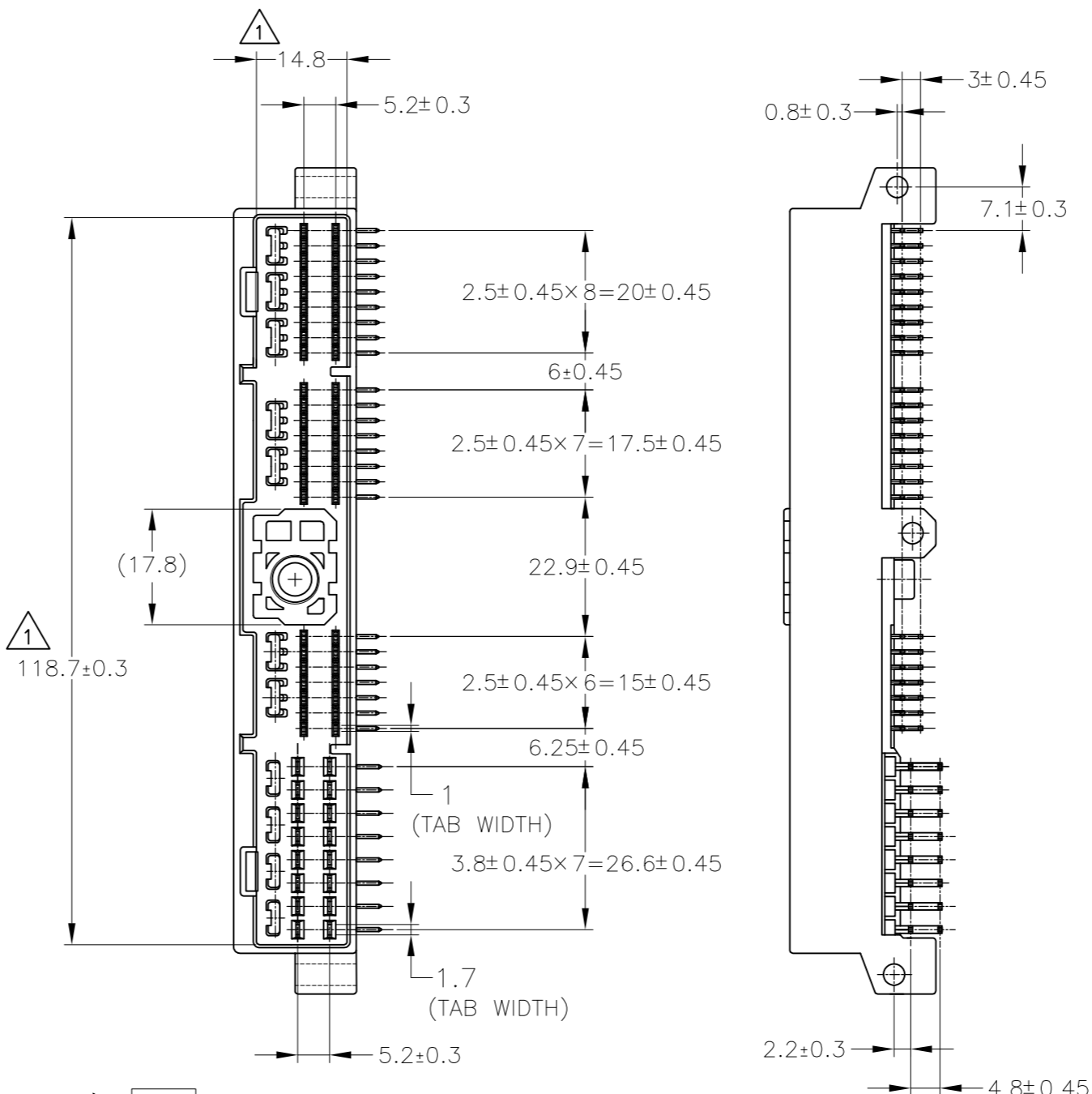
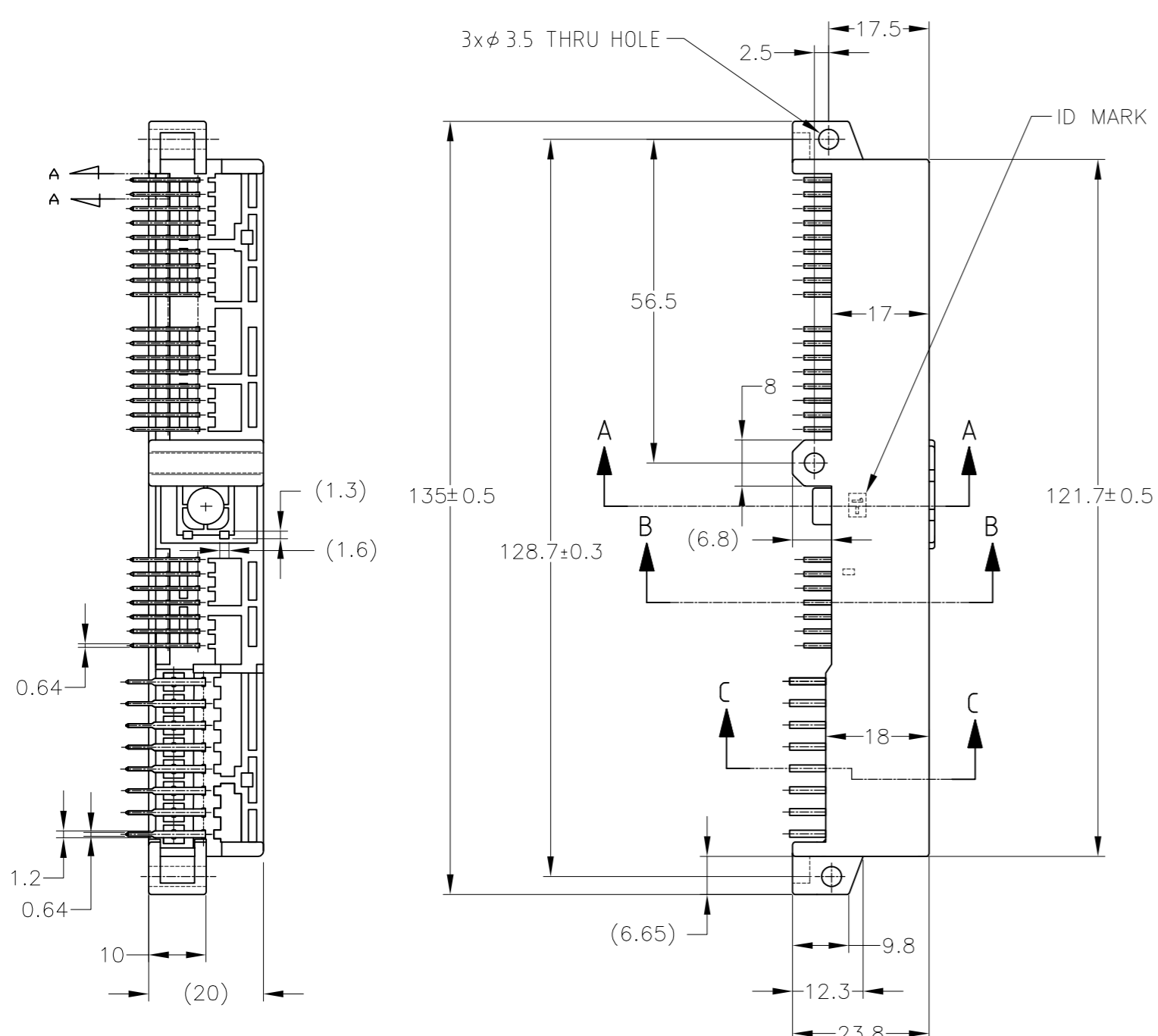


THIS DRAWING IS UNPUBLISHED. RELEASED FOR PUBLICATION JUN , 2017.
 © COPYRIGHT 2017 Tyco Electronics Japan G.K. ALL RIGHTS RESERVED.

REVISIONS					
P	LTR	DESCRIPTION	DATE	DWN	APVD
J5	REVISED	変更 ECR-16-003435	02JUN2017	KF	TK



- △ T 面より2mmの範囲で測定
- 2. 適用プリント基板厚：1.6mm
- 3. 推奨取付ネジ：呼び3mmの小ネジ
又は 呼び4mmのタッピングネジ
- △ 全面ニッケルメッキ上に接触部分は金メッキ
ハンダ付部分は、ハンダメッキ
- △ 金めっき位置 (FIG.1 参照)
- △ TO BE MEASURED WITHIN 2mm FROM T
- 2. APPLICABLE P.CBOARD THICKNESS; 1.6mm
- 3. RECOMMENDED MOUNTING SCREW; 3mm DIA.
SMALL SCREW & NUT OR 4mm DIA. TAPPING SCREW.
- △ GOLD PLATING FOR CONTACT AREA AND TIN-LEAD
PLATING FOR SOLDERING AREA OVER ALL-OVER
NICKEL PLATING.
- △ GOLD TAB POSITIONS; SEE FIG1.

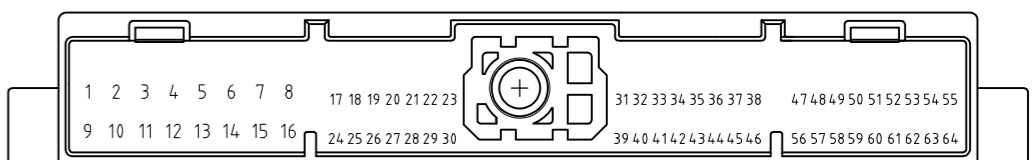
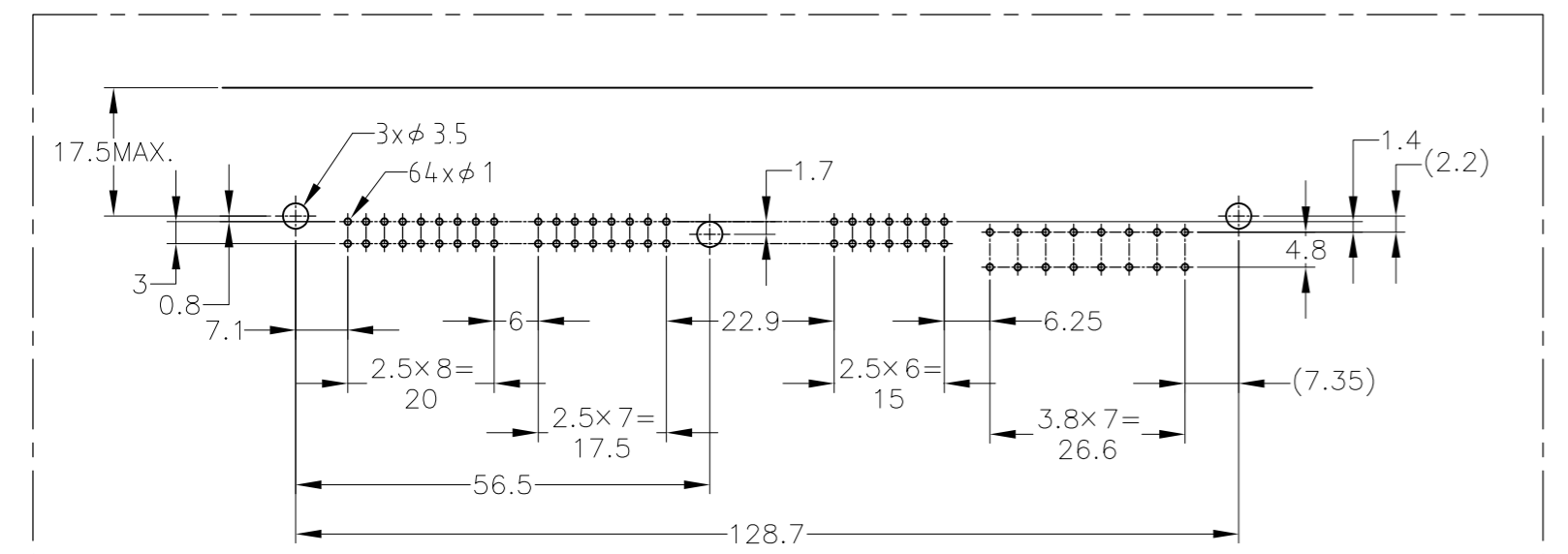
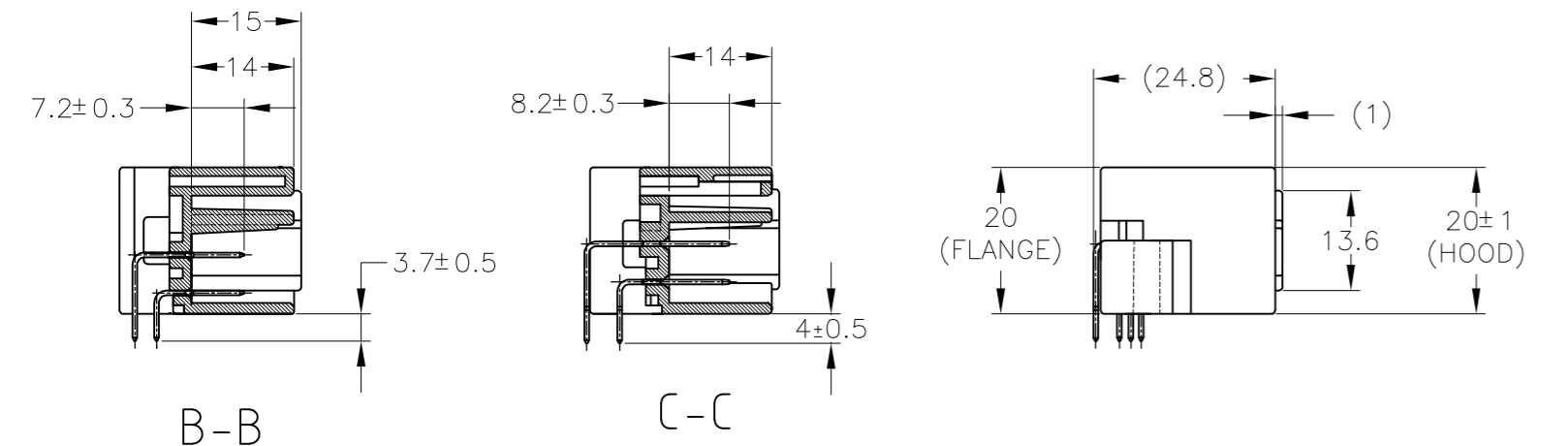


FIG.1



プリント基板取付穴寸法図
 MOUNTING DIMENSIONS FOR P.C BOARD
 一般公差：±0.1
 TOLERANCE: ±0.1
 (公差は累積しないこと)
 (NON ACCUMULATE PITCH TOLERANCE)

5-5179931-5	5-5178996-5	SELECTIVE-TIN (MATTE)	SELECTIVE GOLD × 5 PRE-TIN × 43	PRE-TIN × 16	32,35,36,44,47	BLUE 青色	5-5174836-5	
---	5178996-5	SELECTIVE-TIN (MATTE)	SELECTIVE GOLD × 48	PRE-TIN × 16	17~64	BLUE 青色	5174836-5	
---	178996-5	TIN-LEAD	SELECTIVE GOLD × 48 △4	PRE-TIN × 16	17~64	BLUE 青色	174836-5	
通い箱入品 (プラスチック箱) (CIRCULATE BOX)	プラスチックトレー梱包品 (PACKING FORM BLISTER)	SOLDERING SIDE 半田付け部	CONTACT SIDE 接触部側 CONTACT FINISH(040 TAB) コンタクト仕上	SOLDERING SIDE 半田付け部	CONTACT SIDE 接触部側 CONTACT FINISH (070 TAB) コンタクト仕上	△ GOLD PLATED CIRCUIT NO. 金めっき回路番号	COLOR 色	PART NUMBER 製品型番

THIS DRAWING IS A CONTROLLED DOCUMENT.

DWN T.SHINOHARA 24FEB06		TE Connectivity		
CHK K.BETSUI 24FEB06				
APVD K.BETSUI 24FEB06				
NAME 040 SERIES CENTER LOCK CONNECTOR 64POSITION CAP HOUSING ASSEMBLY				
PRODUCT SPEC 製品規格	SIZE A2	CAGE CODE 00779	DRAWING NO C=174836	RESTRICTED TO
APPLICATION SPEC 取付適用規格	WEIGHT -	SCALE 1:1	SHEET 1 of 1	REV J5
FINISH 仕上	SEE TABLE		CUSTOMER DRAWING	