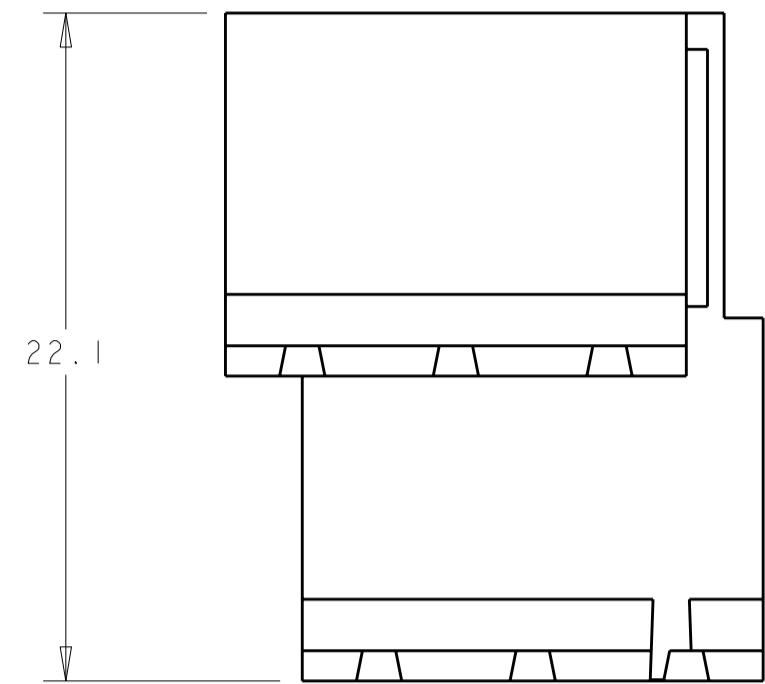
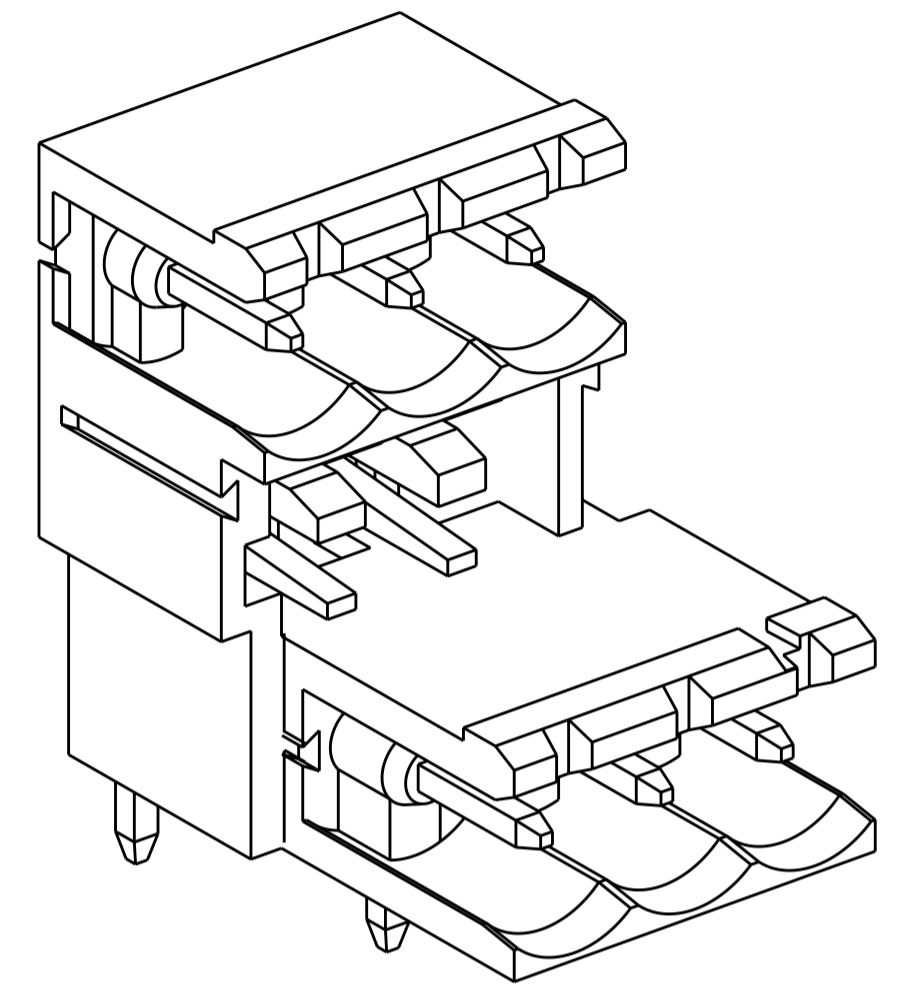


THIS DRAWING IS UNPUBLISHED. RELEASED FOR PUBLICATION 20
 © COPYRIGHT 20 BY - ALL RIGHTS RESERVED.

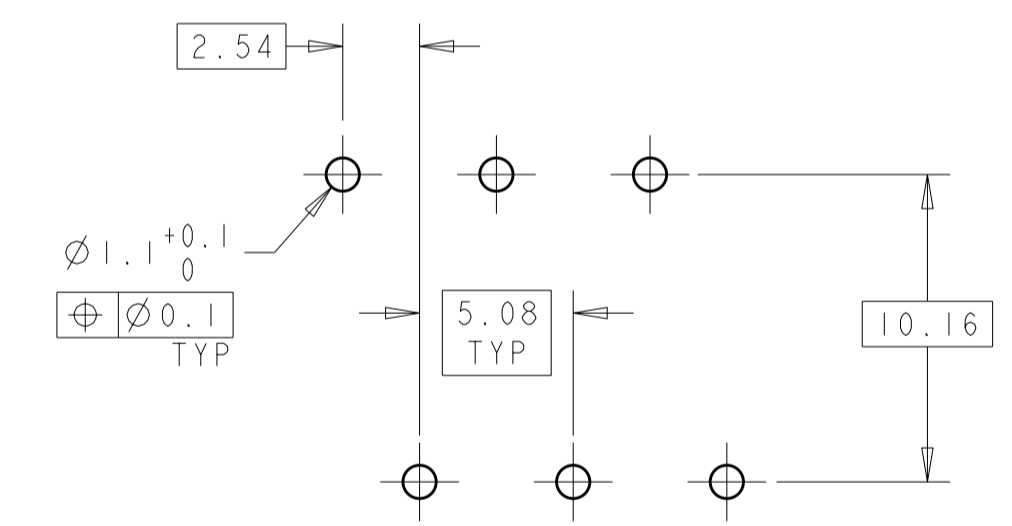
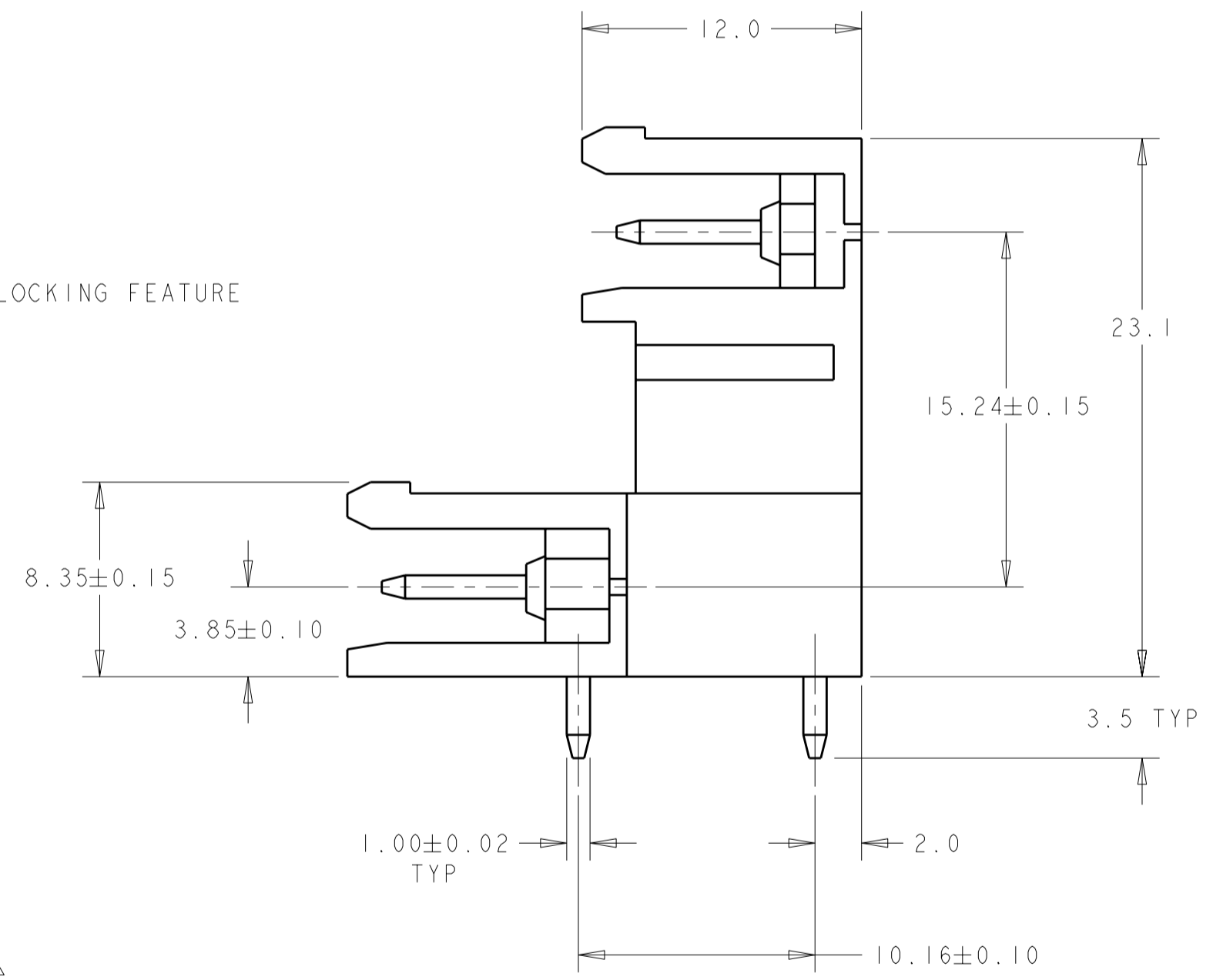
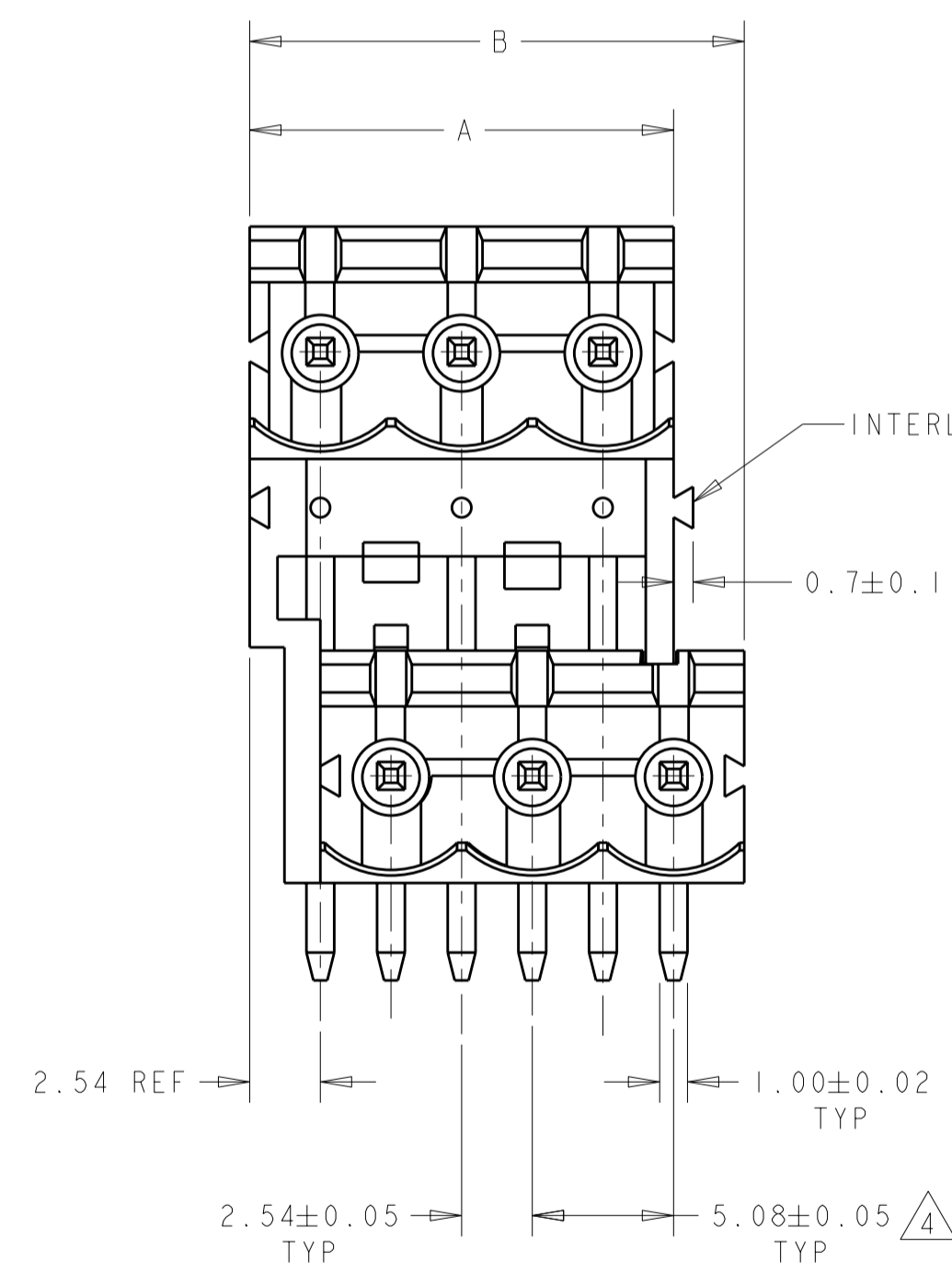
LOC	DIST	REVISIONS			
P	LTR	DESCRIPTION	DATE	DWN	APVD
FT	0	AI	REVISED PER ECO-12-007714	25APR2012	KH MS



- 1. MATERIALS AND FINISH
 HOUSING: PA 6-6, UL 94-V0, COLOR GRAY.
 TERMINAL: COPPER ALLOY, TIN PLATED.
- 2. SUITABLE FOR 1,6-2,4mm PC BOARD THICKNESS.
- 3. END-TO-END STACKABLE WITHOUT LOSS OF CENTERLINE SPACING.
- 4. NOT CUMULATIVE TOLERANCE.



1546237-3 AS SHOWN



RECOMMENDED PC BOARD LAYOUT

48.26	40.64	8	1546237-8
27.94	20.32	4	1546237-4
17.78	15.24	3	1546237-3
12.70	10.16	2	1546237-2
B	A	NO OF POSN	PART NUMBER

THIS DRAWING IS A CONTROLLED DOCUMENT.		DWN S. WELDON 06FEB2003	TE Connectivity	
DIMENSIONS: mm		CHK C. RICHARD 06FEB2003		
TOLERANCES UNLESS OTHERWISE SPECIFIED:		APVD C. RICHARD 06FEB2003	NAME TERMINAL BLOCK, MULTIPLE HEADER ASSEMBLY, 90 DEGREE STACKING W/INTERLOCK, 5.08mm PITCH	
0 PLC ±-		PRODUCT SPEC	SIZE CAGE CODE DRAWING NO	
1 PLC ±.3		APPLICATION SPEC	RESTRICTED TO	
2 PLC ±.25		WEIGHT	A200779C-1546237	
3 PLC ±-		CUSTOMER DRAWING	SCALE 4:1 SHEET OF REV AI	
4 PLC ±-				
ANGLES ±2				
FINISH				