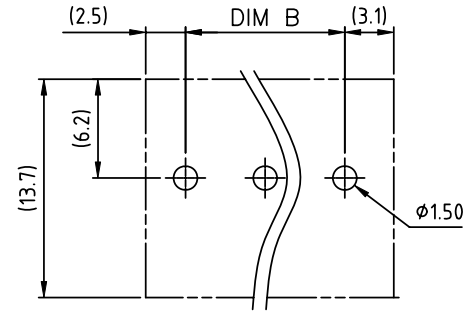
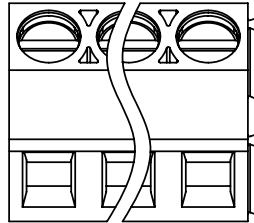
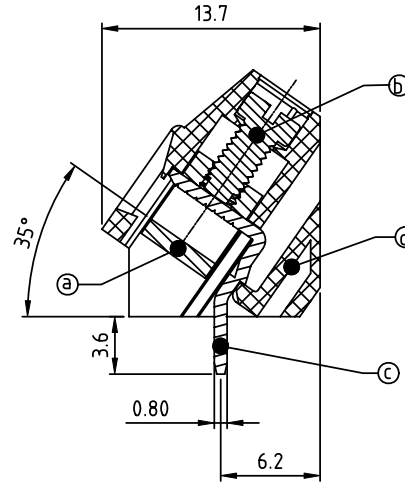
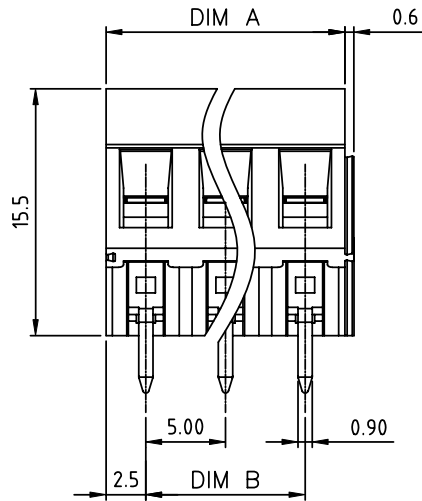


PRODUCT NUMBER	PITCH
T2xx01x100J0G	5.00 mm



RECOMMENDED P.C.B LAYOUT
TOP VIEW



Material

- Item (a) Clamp : Brass , Ni plated
- Item (b) Terminal screw: Steel , Zinc plating "--" slot type
- Item (c) Solder pin : Brass , Tin plated
- Item (d) Terminal housing : Thermoplastic (UL94V-0)

Electrical UL

- Voltage rating: 300VAC
- Current rating: 10A
- Wire range:
- Solid wire(AWG): 12-24
- Stranded wire(AWG): 12-24
- Torque(Lb-In): 3.5
- Screw: M2.5
- Wire strip length: 6-7mm
- Withstanding Voltage: 1.6KV
- Operating temperature: -40°C to +115°C
- Soldering temperature: 260°C±5°C/5 Sec
- Safety Approval:

Dimension A&B

DIM A	Nx5.0
DIM B	(N-1)x5.0

N=Number of poles

Poles	DIMA&B Tolerance
4P-8P	±0.15
9P-14P	±0.25
15P-20P	±0.35
21P-24P	±0.40

PART NO.: T2 xx 0 1 x 1 00J0 G

- | | | | |
|--------------|---|-------------------|-----------------|
| Solid Block | 0 | Black (RAL9005) | RoHS compliant |
| No. of poles | 2 | Red (RAL3001/D) | (lead<4%) |
| 04 4 poles | 3 | Orange(RAL2011/P) | In copper Alloy |
| 05 5 poles | 4 | Yellow(RAL1018/A) | |
| | 5 | Green(RAL6018/T) | |
| 24 24 poles | 6 | Blue (RAL5015/A) | |
| | 8 | Grey(RAL7035/D) | |
| | 9 | White(RAL1102) | |
| | C | Green(RAL6018/U) | |

mat'l. code		surface ASME Y14.5	tolerance ASME Y14.5	projection 	product family TERMINAL BLOCK
ltr	ecn no	dr	date		title TERMINAL BLOCK
				tolerances unless otherwise specified	scale RISING CLAMP,35D WIRE INLET,SOLID TYPE
				angles $X \pm 1^\circ$	MM
				$X.X \pm 0.3$	scale
				$X.XX \pm 0.1$	FCI
		dr	EVIN ZHONG	040714	dwg no
		enr	EVIN ZHONG	040714	sheet 1 of 1
		chr	HANKE FENG	040714	size
		appd	SHI JUN	040714	A4
sheet index	revision	A			type CUSTOMER Drawing
	sheet	1			