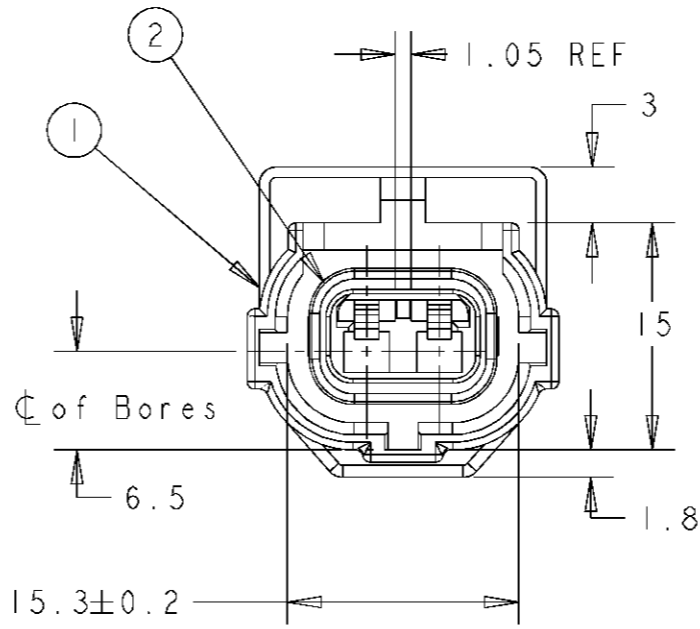
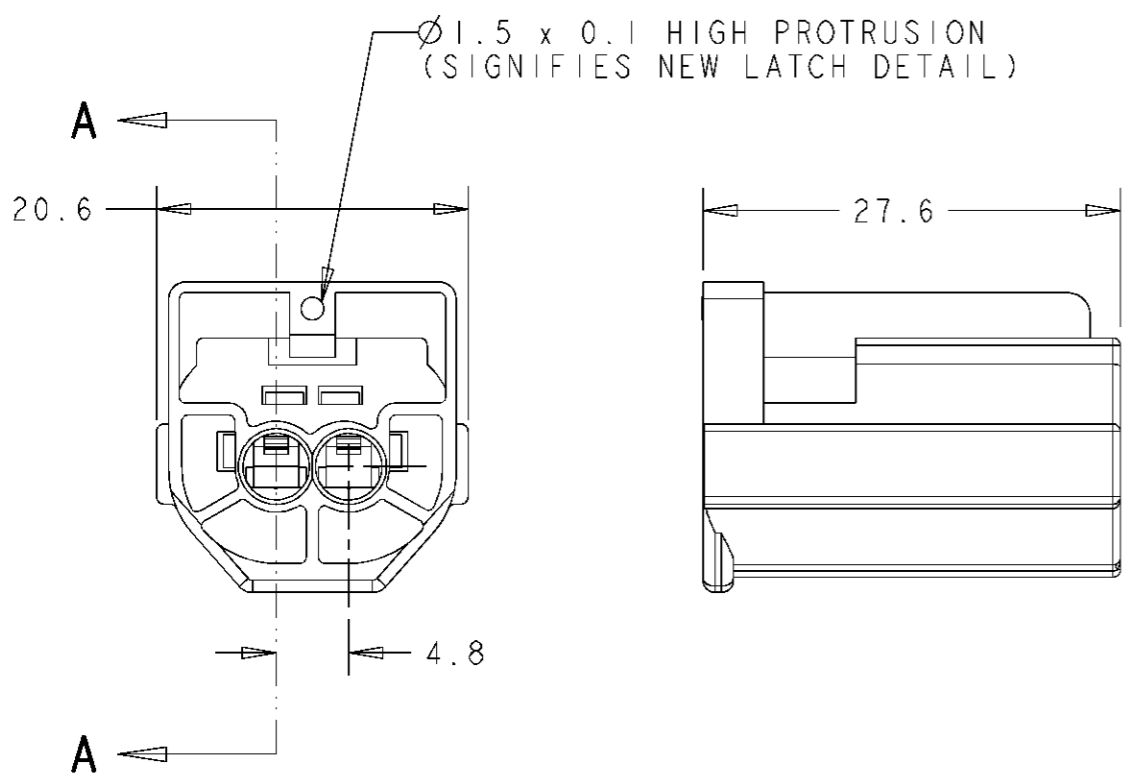
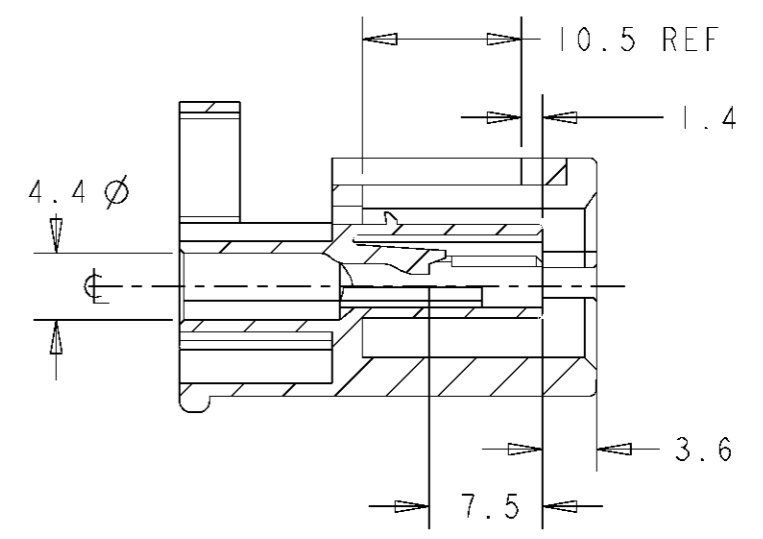


THIS DRAWING IS UNPUBLISHED. RELEASED FOR PUBLICATION
 © COPYRIGHT BY - ALL RIGHTS RESERVED.

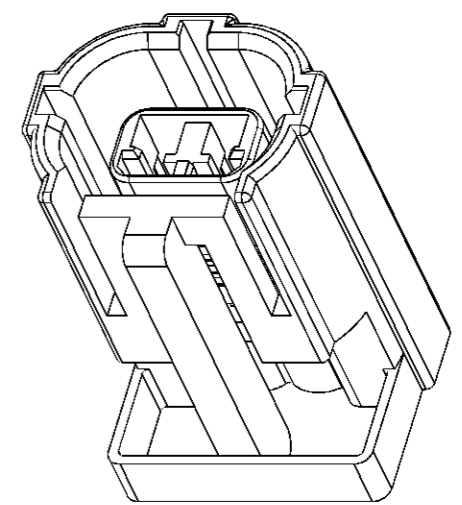
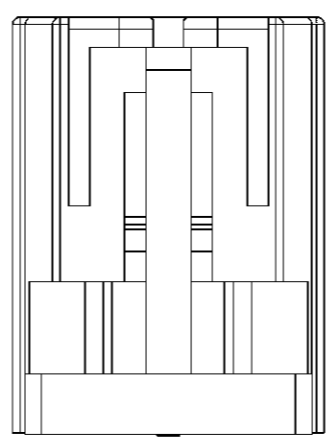
LOC		DIST		REVISIONS					
E		B		P	LTR	DESCRIPTION	DATE	DWN	APVD
				L2		REVISED PER ECO-11-005150	28MAR11	RK	HMR



SECTION **A-A**
 SEAL REMOVED FOR CLARITY



CONTROL DIMENSION



SCALE 2:1

2	GREY	NITRILE	173072-1	PERIPHERAL SEAL	1	1-344276-4
1	WHITE	NYLON 66	344275-4	2 WAY REC HSG	1	(WHITE)
2	GREY	NITRILE	173072-1	PERIPHERAL SEAL	1	1-344276-3
1	BLUE	NYLON 66	344275-3	2 WAY REC HSG	1	(BLUE)
2	GREY	NITRILE	173072-1	PERIPHERAL SEAL	1	1-344276-2
1	RED	NYLON 66	344275-2	2 WAY REC HSG	1	(RED)
2	GREY	NITRILE	173072-1	PERIPHERAL SEAL	1	1-344276-1
1	BLACK	NYLON 66	344275-1	2 WAY REC HSG	1	(BLACK)
2	ORANGE	SILICONE	347702-1	PERIPHERAL SEAL	1	344276-4
1	WHITE	NYLON 66	344275-4	2 WAY REC HSG	1	(WHITE)
2	ORANGE	SILICONE	347702-1	PERIPHERAL SEAL	1	344276-3
1	BLUE	NYLON 66	344275-3	2 WAY REC HSG	1	(BLUE)
2	ORANGE	SILICONE	347702-1	PERIPHERAL SEAL	1	344276-2
1	RED	NYLON 66	344275-2	2 WAY REC HSG	1	(RED)
2	ORANGE	SILICONE	347702-1	PERIPHERAL SEAL	1	344276-1
1	BLACK	NYLON 66	344275-1	2 WAY REC HSG	1	(BLACK)
ITEM	COLOUR	MATERIAL	PART NO	DESCRIPTION	Qty	ASSY PT NO

DIMENSIONS: mm		TOLERANCES UNLESS OTHERWISE SPECIFIED:	
	0 PLC	±-	
	1 PLC	±0.5	
	2 PLC	±0.5	
	3 PLC	±0.5	
	4 PLC	±-	
	ANGLES	±2	
MATERIAL	SEE TABLE	FINISH	-

DWN	M. GREENER	28JUL2003	TE Connectivity NAME 2 WAY RECEPTACLE HOUSING - ECONOSEAL 3 LOW CURRENT
CHK	M. HARRIS	28JUL2003	
APVD	B. BAKER	28JUL2003	
PRODUCT SPEC	-		
APPLICATION SPEC	-		RESTRICTED TO
WEIGHT	-		SIZE
CUSTOMER DRAWING	A3	CAGE CODE	00779
	DRAWING NO	C=344276	
SCALE	2:1	SHEET	1 OF 1
REV	L2		