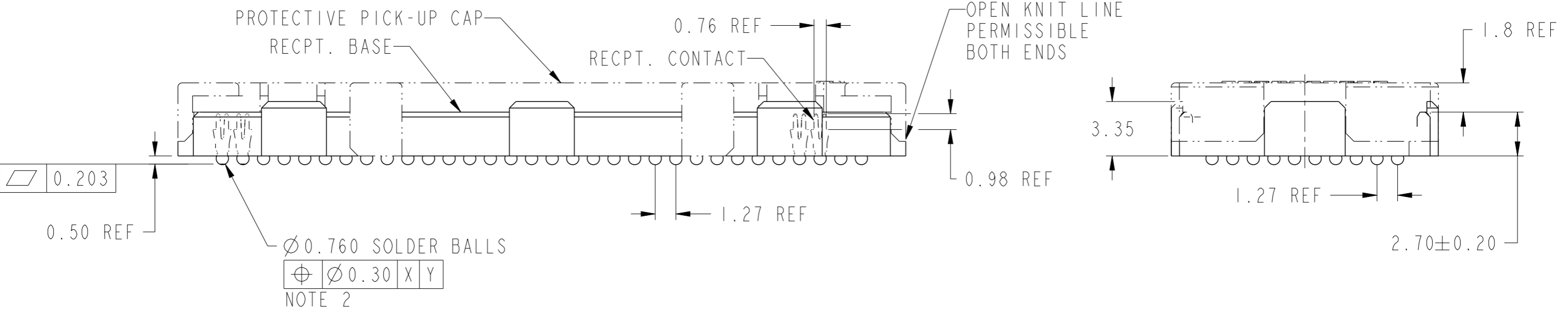
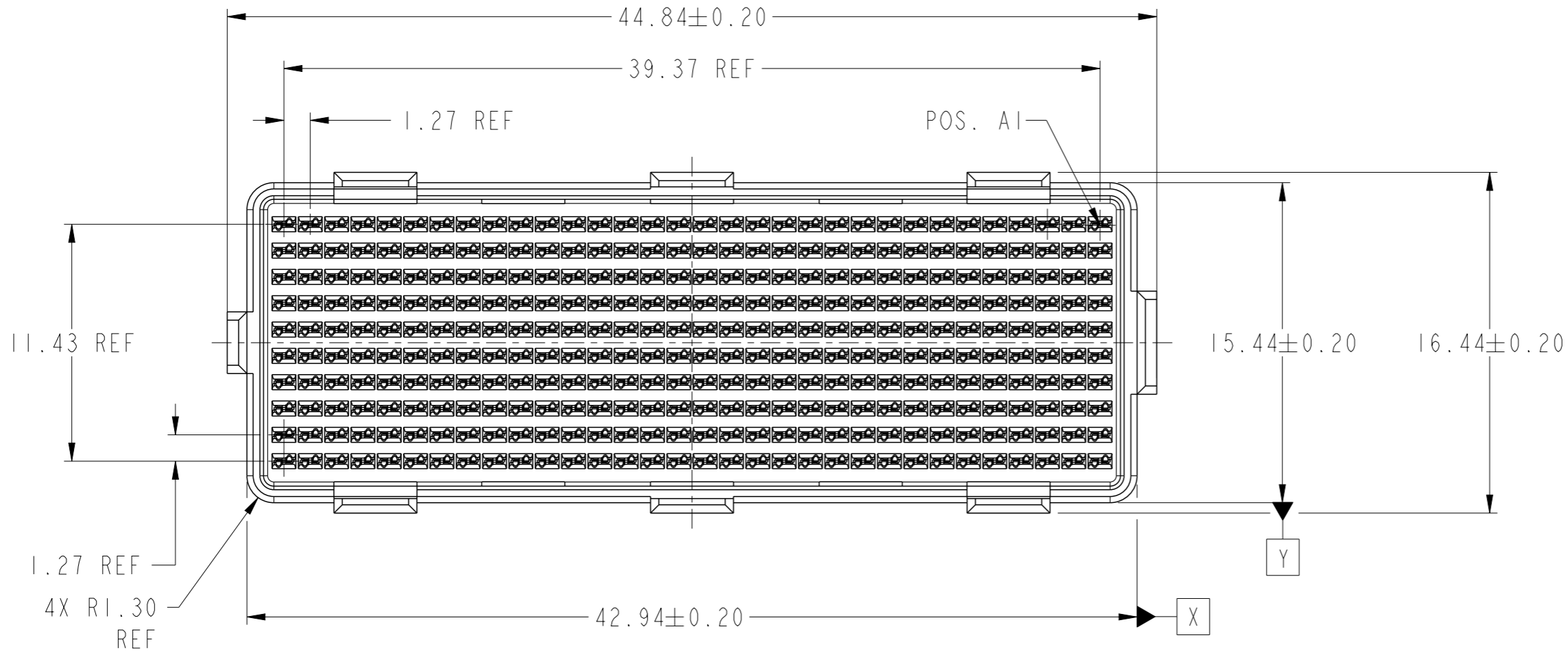


PRODUCT NUMBER
SEE SHEET 3



Copyright FCI.

spec ref	-	dr	Dave Horchler	2013/01/22	projection	mm	size	A3	scale	1:1
tolerance std	ASME Y14.5	eng	Dave Horchler	2013/01/25			ecn no		-	
TOLERANCES UNLESS OTHERWISE SPECIFIED		chr	-	-			rel level		Released	
surface	3.2	appr	R Marshall	2013/01/25	product family		MEG-ARRAY		rev	
ASME Y14.5	linear	0.X	± 0.3		4mm RECEPTACLE ASSEMBLY - NATURAL		10123982		A	
		0.XX	± 0.10		10 X 32 = 320 POS.					
		0.XXX	± 0.050		www.fci.com					
	angular	0°	$\pm 2^\circ$	cat. no.	-	Product - Customer Drw		sheet 1 of 3		

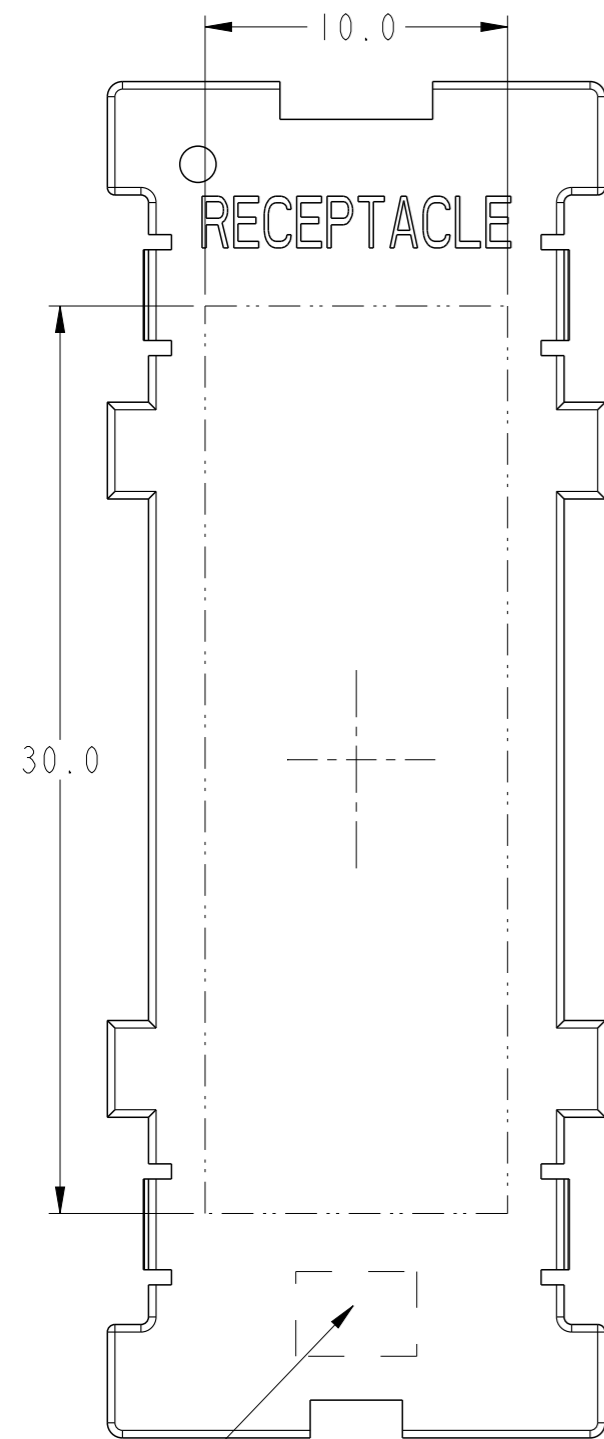
PRODUCT NUMBER
SEE SHEET 3

A

B

C

D

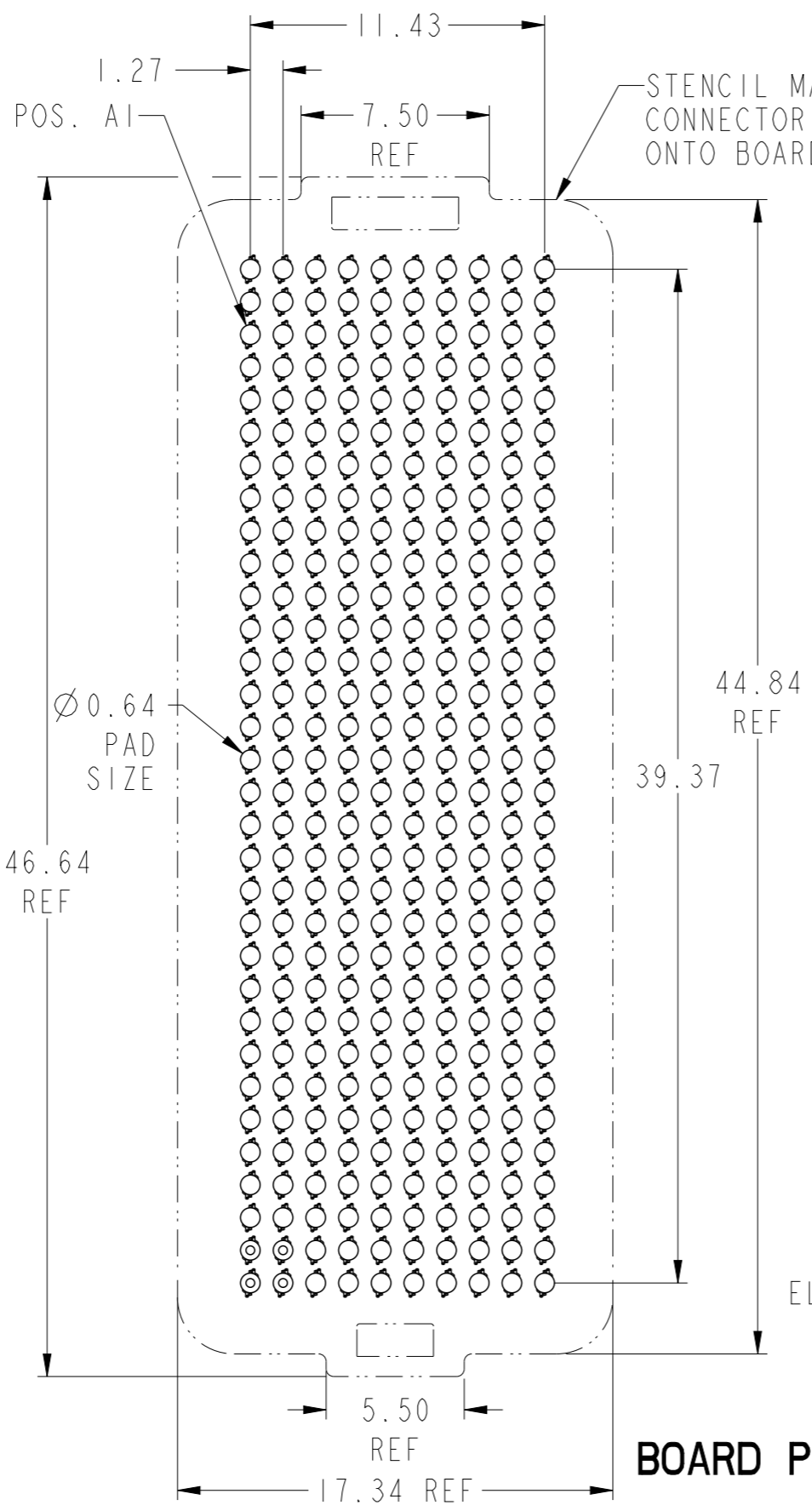


RECEPTACLE

30.0

NOTE 6

FLAT AREA FOR PICK-UP CAP



BOARD PATTERN

Ø 0.64
PAD
SIZE

46.64
REF

44.84
REF

39.37

5.50
REF

17.34 REF

STENCIL MATED
CONNECTOR OUTLINE
ONTO BOARD

1.27
POS. A1

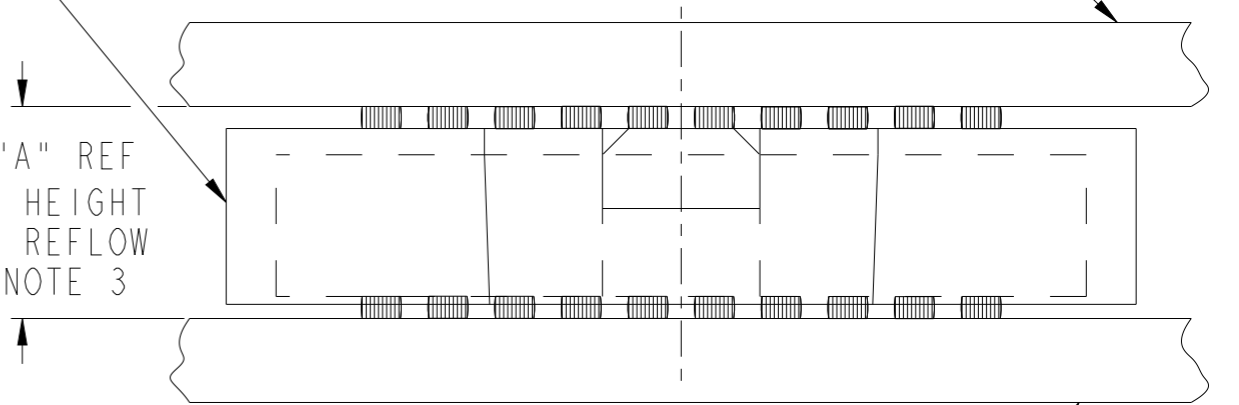
11.43

7.50
REF

PLUG ASSY

PCB

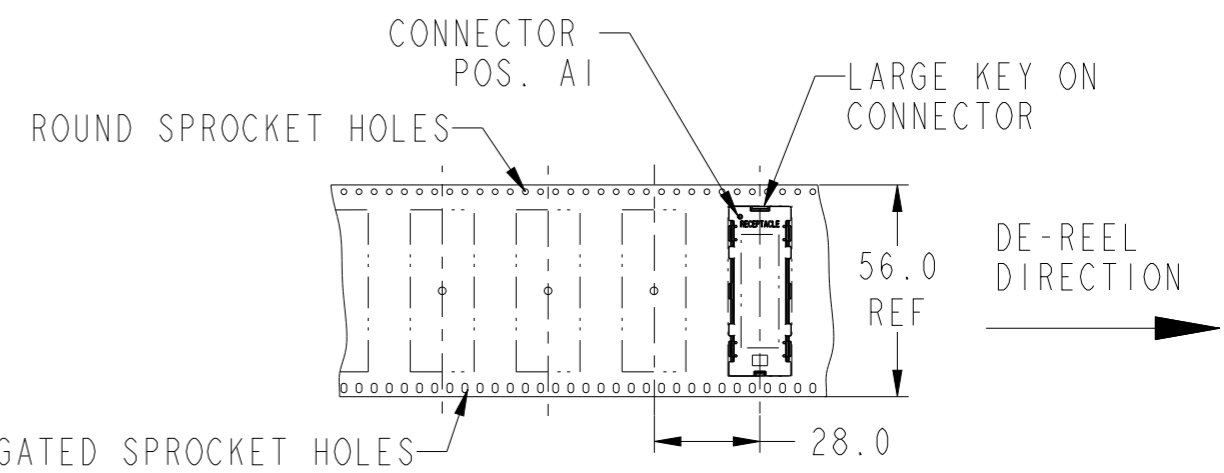
DIM "A" REF
MATED HEIGHT
AFTER REFLOW
SEE NOTE 3



PCB

MATED HEIGHT AFTER REFLOW IS BASED ON Ø 0.64mm PAD (METAL-DEFINED) AND 0.13mm SOLDER PASTE STENCIL THICKNESS. SEE NOTE 3

END VIEW - MATED CONNECTORS
SCALE NONE



ELONGATED SPROCKET HOLES

CONNECTOR
POS. A1

LARGE KEY ON
CONNECTOR

ROUND SPROCKET HOLES

DE-REEL
DIRECTION

56.0
REF

TAPE & REEL PACKAGING
PER EIA 481-3
SCALE NONE

28.0

spec ref	-	dr	Dave Horchler	2013/01/22	projection	mm	size	A3	scale	1:1
tolerance std	ASME Y14.5	eng	Dave Horchler	2013/01/25			ecn no	-	rel level	Released
TOLERANCES UNLESS OTHERWISE SPECIFIED		chr	-	apppr						
surface	3.2	linear	0.X	±0.3		4mm RECEPTACLE ASSEMBLY -NATURAL 10 X 32 = 320 POS.	dwg no	10123982	rev	A
			0.XX	±0.10						
			0.XXX	±0.050						
ASME Y14.5	angular	0°	±2°	www.fci.com	cat. no.	-	Product - Customer Drw	sheet 2 of 3		

PRODUCT NUMBER	PICK-UP CAP (NATURAL OR BLACK IN COLOR)	CONTACT PLATING AND THICKNESS	SOLDER BALL	NOTES
10123982-001	YES	15u" (.38um) Au	SnPb	
10123982-001LF	YES	15u" (.38um) Au	LEAD FREE	5
10123982-091	YES	15u" (.38um) GXT	SnPb	
10123982-091LF	YES	15u" (.38um) GXT	LEAD FREE	5
10123982-101	YES	30u" (.76um) Au	SnPb	
10123982-101LF	YES	30u" (.76um) Au	LEAD FREE	5
10123982-191	YES	30u" (.76um) GXT	SnPb	
10123982-191LF	YES	30u" (.76um) GXT	LEAD FREE	5
10123982-201	YES	50u" (1.27um) Au SPECIAL	SnPb	7
10123982-201LF	YES	50u" (1.27um) Au SPECIAL	LEAD FREE	5 AND 7
10123982-291	YES	50u" (1.27um) GXT SPECIAL	SnPb	7
10123982-291LF	YES	50u" (1.27um) GXT SPECIAL	LEAD FREE	5 AND 7

NOTES:

- MATERIAL:
HOUSING: LCP-NATURAL COLOR
CONTACT: COPPER ALLOY

PLATING:
CONTACT: SEE TABLE FOR PLATING AND THICKNESS OPTIONS (OVER Ni UNDERPLATE)
SOLDER BALL: SnPb OR LEAD FREE (95.5Sn/4Ag/0.5Cu) OPTIONS, SEE TABLE.
- SOLDER BALLS WILL NOT HAVE PERFECT SPHERICAL SHAPES DUE TO REFLOW ATTACHMENT.
- MATED HEIGHT WHEN MATED WITH 10123981-XXX WILL BE APPROXIMATELY 4mm.
MATED HEIGHT WILL BE EFFECTED BY CUSTOMER'S PCB DESIGN AND REFLOW PROCESS.
- FOR PROPER APPLICATION FOLLOW FCI APPLICATION SPECIFICATION GS-20-033.
LEAD FREE SOLDER BALLS WILL NOT SOLDER PROPERLY IN A LEADED SOLDER PROCESS DUE TO A HIGHER REFLOW TEMPERATURE. LEAD FREE PRODUCT IS THEREFORE NOT BACKWARDS COMPATIBLE WITH LEADED OR SOME SOLDERING APPLICATIONS. REFERENCE FCI APPLICATION SPEC.
- THIS PRODUCT MEETS EUROPEAN UNION DIRECTIVES AND OTHER COUNTRY REGULATIONS AS DESCRIBED INGS-47-0004.
PRODUCT MEETING THIS DIRECTIVE IS IDENTIFIED IN THE LOT CODE NUMBER MARKED ON EACH PART BY HAVING AN "X" IN THE SEVENTH CHARACTER POSITION.
- CURRENT COMPANY LOGO TO BE VISIBLE IN APPROXIMATE AREA SHOWN.
- PLATING FOR THE -2XX SERIES OF PRODUCT NUMBERS MEET THE REQUIREMENTS OF GR-1217-CORE, CENTRAL OFFICE ENVIRONMENT, (25 YEAR LIFE EXPECTANCY).
THE CONTACTS IN THESE PRODUCT NUMBERS ALSO HAVE SPECIAL CONTACT GEOMETRY.



Copyright FCI.

spec ref	-	dr	Dave Horchler	2013/01/22	projection	mm	size	A3	scale	1:1
tolerance std	ASME Y14.5	eng	Dave Horchler	2013/01/25			ecn no	-	rel level	Released
TOLERANCES UNLESS OTHERWISE SPECIFIED		chr	-	-			product family	MEG-ARRAY	rel level	Released
surface	3.2	appr	R Marshall	2013/01/25			4mm RECEPTACLE ASSEMBLY -NATURAL	10123982	rev	A
ASME Y14.5	angular	0°	±2°	www.fci.com	cat. no.	-	Product - Customer Drw	sheet 3 of 3		