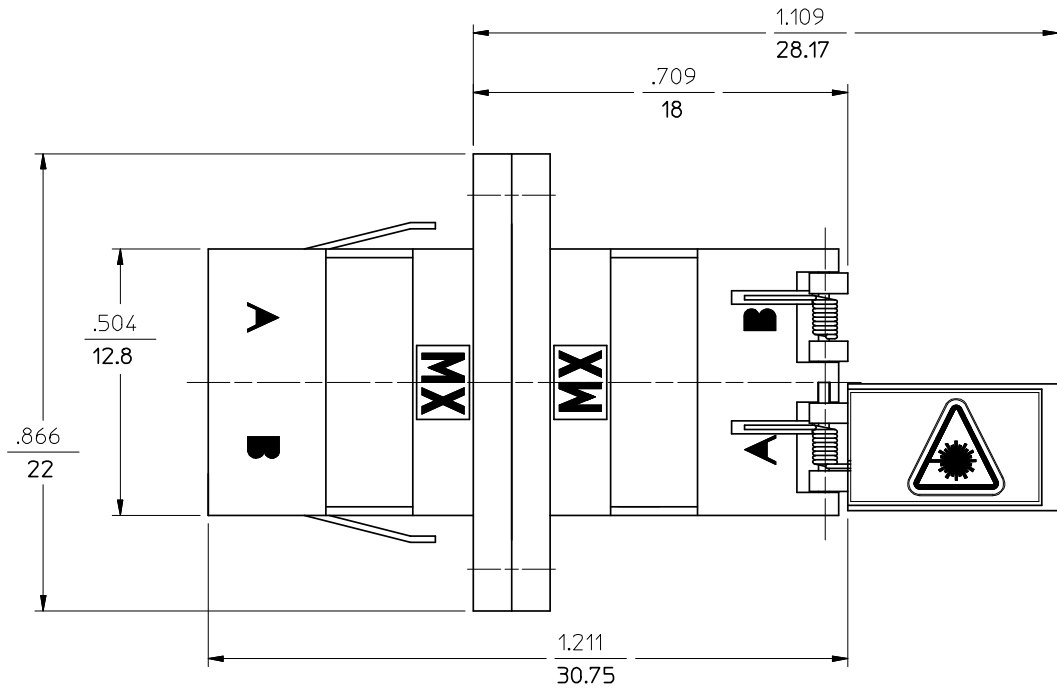
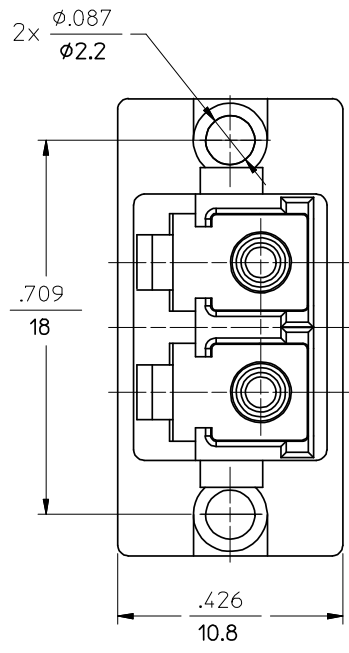
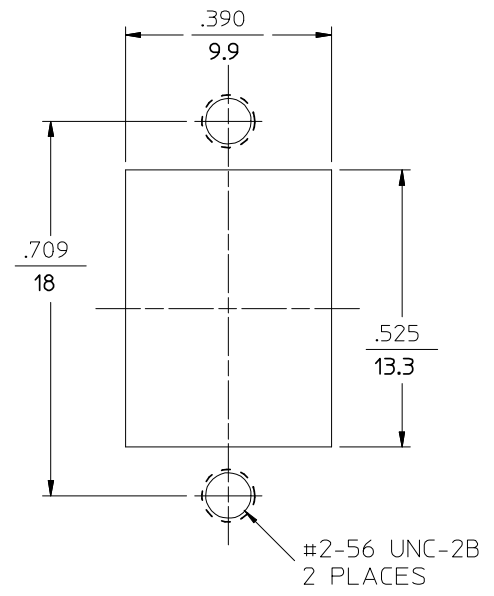
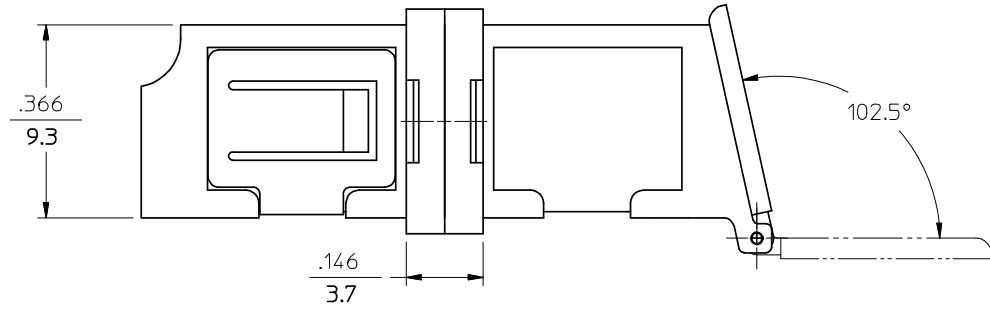
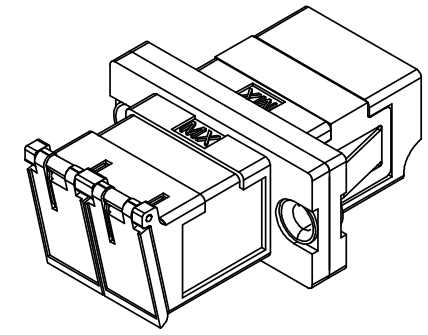


10	9
LC ADAPTER ASSY. P/N	LC SLEEVE MATERIAL
106127-0590	PH. BRONZE
106127-1590	ZR



RECOMMENDED MOUNTING CUTOUT FOR .063 THICK PANEL



- NOTES:
1. ALL DIMENSIONS ARE FOR REFERENCE ONLY.
  2. DUST CAPS NOT SHOWN.
  3. ADAPTER TO BE PACKAGED IN TRAY.

ENTER DESCRIPTION EEC NO: MF2008-0344 DRAWN: KPEVZNER CHKD: 2008/02/22 APPR: IGUMIN 2008/02/27	QUALITY SYMBOLS ▼=0 ∇=0	GENERAL TOLERANCES (UNLESS SPECIFIED)		DIMENSION STYLE IN/MM	SCALE 4:1	DESIGN UNITS INCH	THIRD ANGLE PROJECTION		
		4 PLACES ±--- ±--- 3 PLACES ±--- ±--- 2 PLACES ±--- ±--- 1 PLACE ±--- ±---	mm INCH ±--- ±--- ±--- ±--- ±--- ±---	DRAWN BY PGIBLIN	DATE 2005/10/05	TITLE METAL LC DUPLEX ADAPTER			
		ANGULAR ±1/2°	DRAFT WHERE APPLICABLE MUST REMAIN WITHIN DIMENSIONS	APPROVED BY  DATE	MOLEX MOLEX INCORPORATED				
	A2	REV	MATERIAL NO. SEE TABLE	DOCUMENT NO. SD-106127-X590	SHEET NO. 1 OF 01		THIS DRAWING CONTAINS INFORMATION THAT IS PROPRIETARY TO MOLEX INCORPORATED AND SHOULD NOT BE USED WITHOUT WRITTEN PERMISSION		