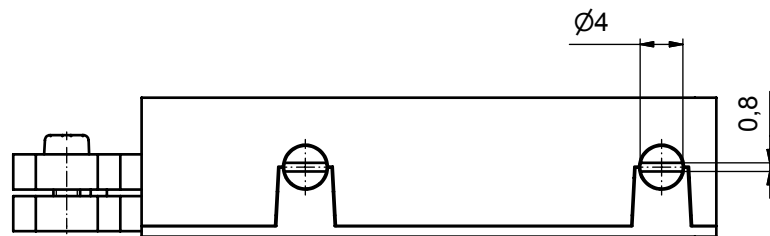
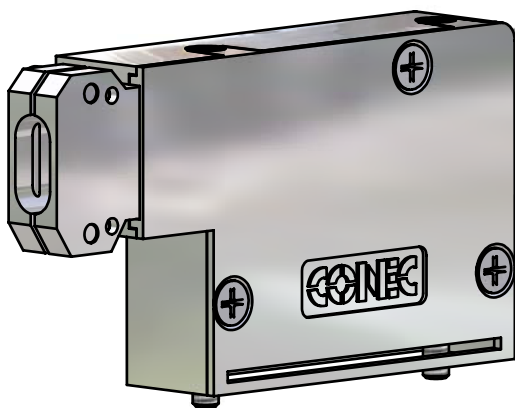
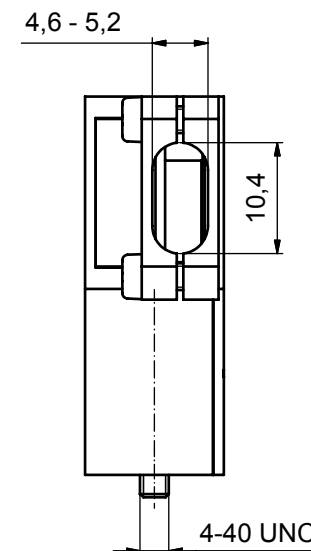
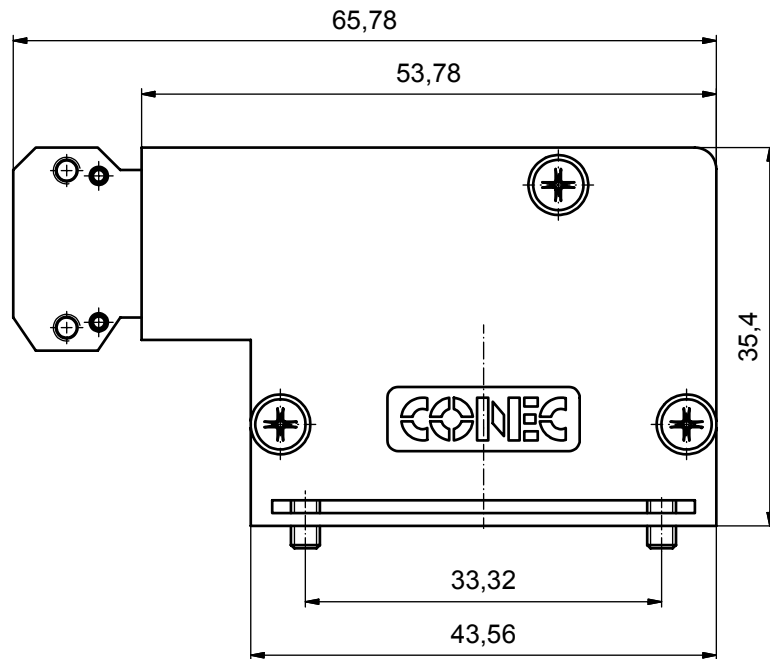
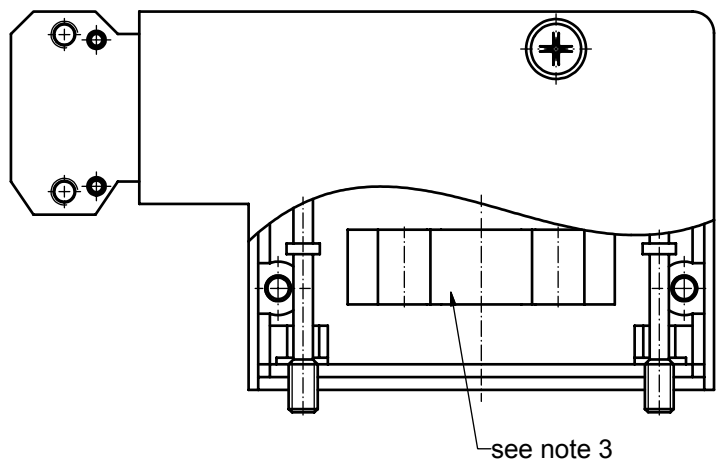
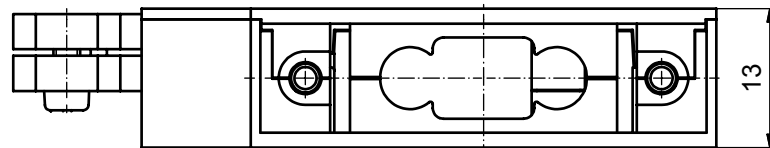


**NOTES:**

1. HOOD: ZINC DIE CAST; NICKEL PLATED
2. CABLE STRAIN RELIEF: ZINC DIE CAST; NICKEL PLATED
3. PLASTIC SPACERS TO PREVENT MISALIGNMENT OF HIGH POWER CONTACTS:  
PBT GF UL 94 V-0; BLACK
4. JACKSCREW: STEEL; NICKEL PLATED; SLOTTED
5. FIXING SCREW: ZINC PLATED; CROSS RECESSED; TYPE H, SIZE 1
6. SCREW FOR CABLE STRAIN RELIEF: ZINC PLATED; CROSS RECESSED; TYPE H, SIZE 1



Directive 2002/95/EC  
„RoHS“  
Compliant

APPROVAL # FREIGABE # DEBLOCAGE # AUTORIZACION # APPROVAL	APPROVAL # FREIGABE # DEBLOCAGE # AUTORIZACION # APPROVAL
CUSTOMER APPROVAL DATE:	
NAME:	TITLE:
COMPANY NAME:	
APPROVAL # FREIGABE # DEBLOCAGE # AUTORIZACION # APPROVAL	APPROVAL # FREIGABE # DEBLOCAGE # AUTORIZACION # APPROVAL

THIS DRAWING MAY NOT BE COPIED OR REPRODUCED IN ANY WAY, AND MAY NOT BE PASSED ON TO A THIRD PARTY WITHOUT WRITTEN PERMISSION. OWNERSHIP AND COPYRIGHT OF CONEC GmbH				DO NOT ALTER CAD DRAWING BY HAND	
				tolerance	 dim. in mm
				date	name
				drawn 20.09.07	Schmidt
				appd. 20.09.07	Koch
				norm	
				d-old	SK0726T1
				<b>CONEC</b> ®	
a	Origin				
rev.	description	date	name		

scale: 2:1	
material: see notes	
title: <b>Hood µTCA</b> for use with 7W2 connector side cable exit	
dwg no: Inventor 10	DIN-A3
16K1A2148	
part no: 16-000010	sh: 1