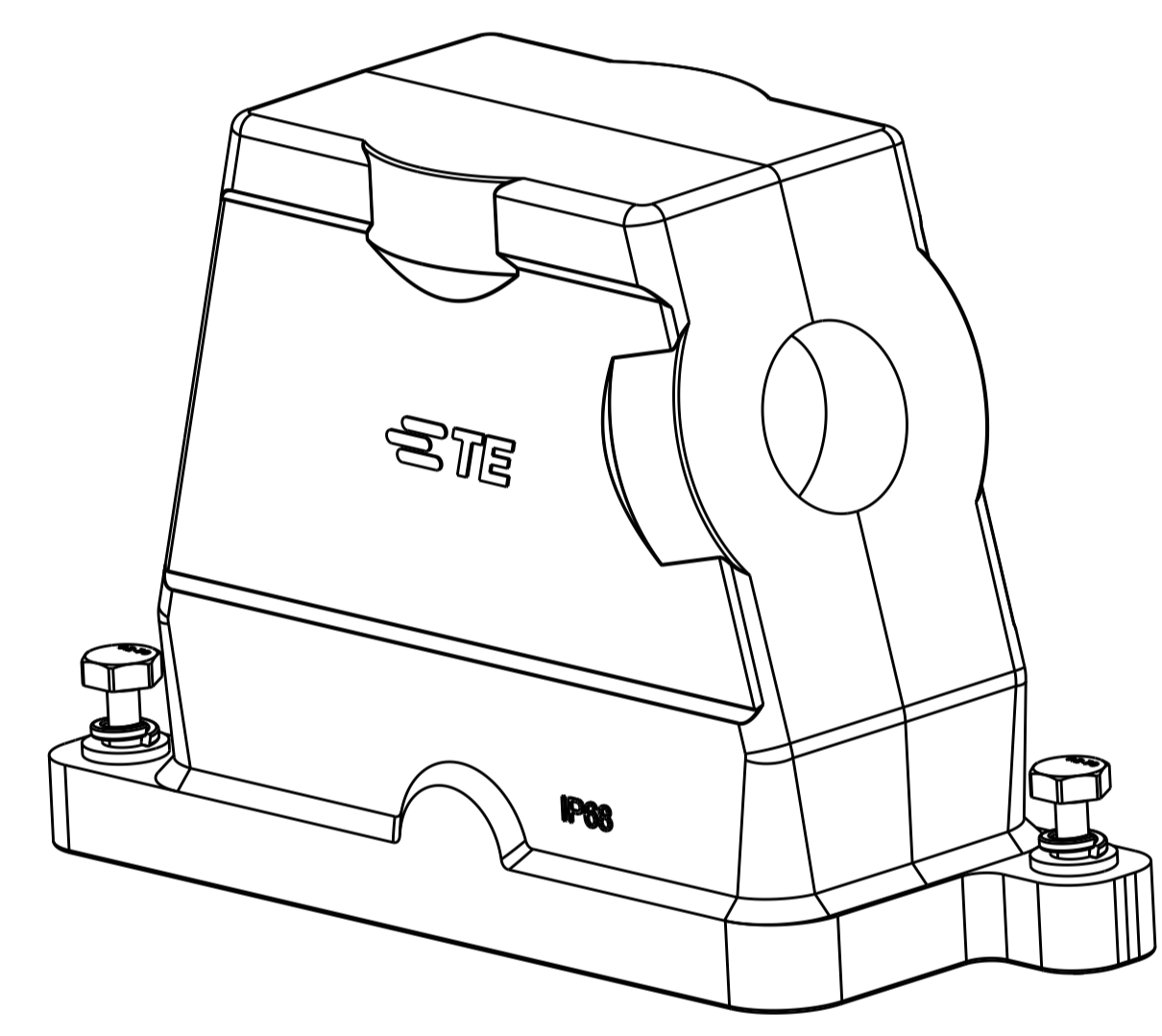
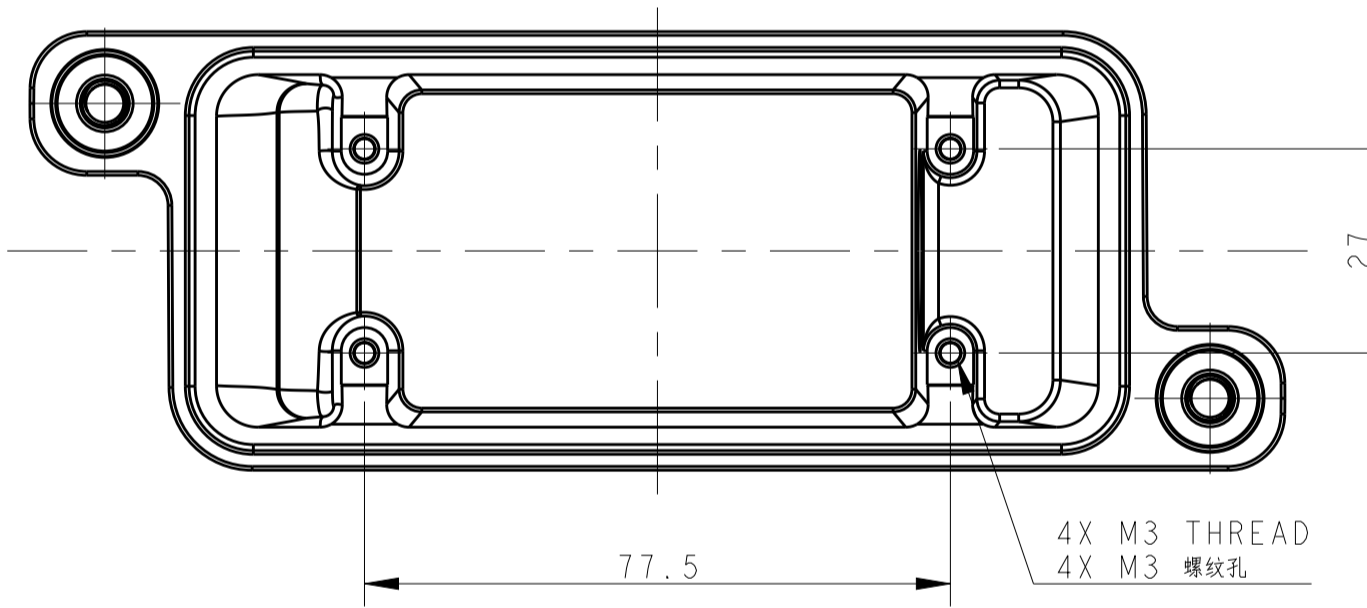
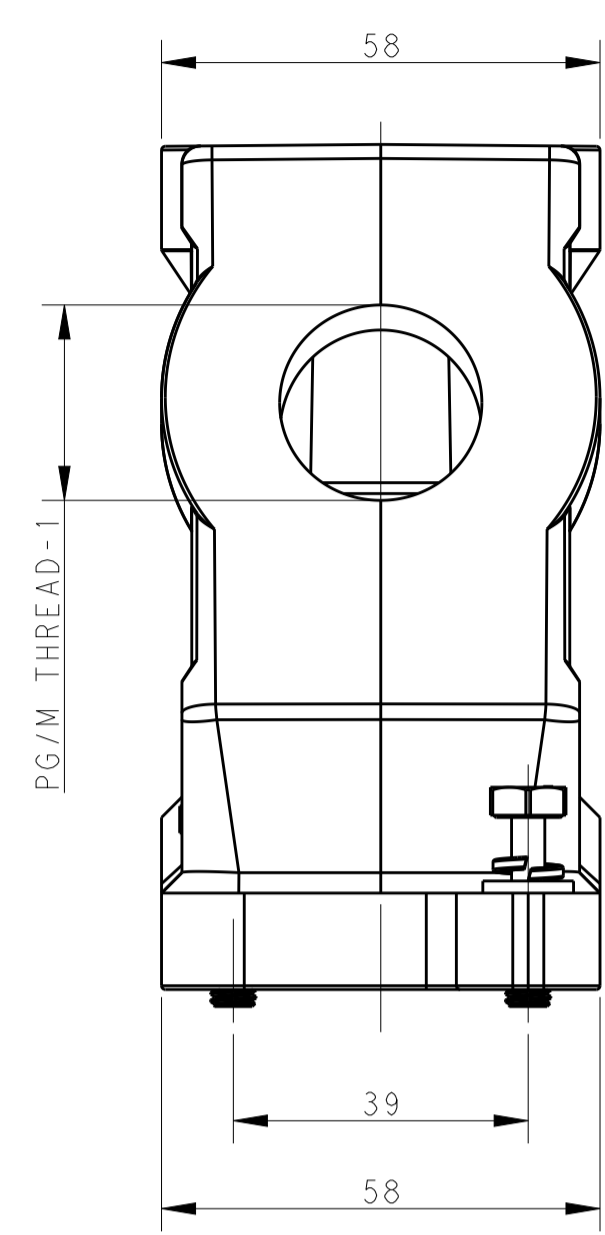
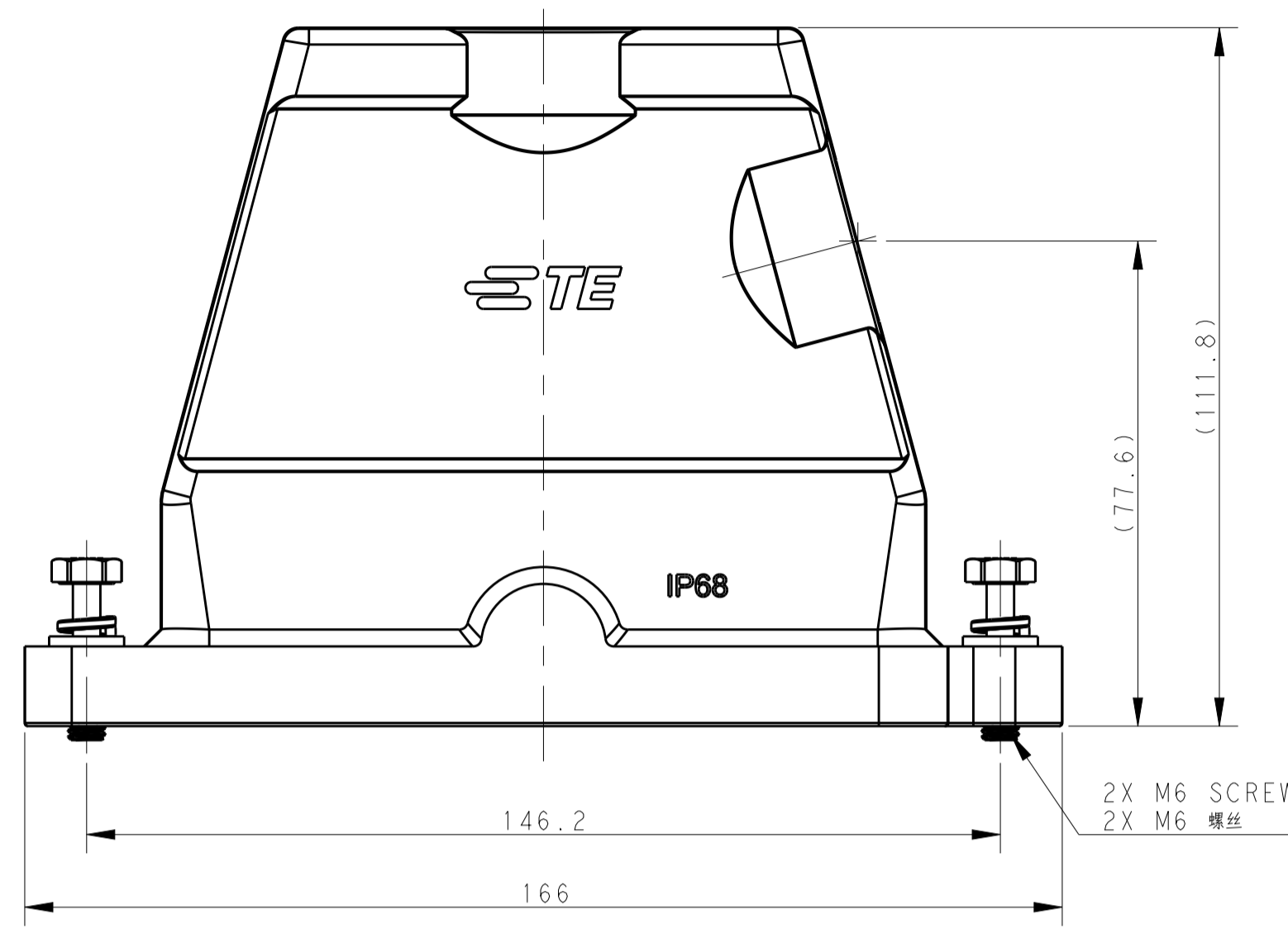


REVISIONS				
P	LTN	DESCRIPTION	DATE	APVD
A		INITIAL RELEASE	02SEP2016	DW CW



NOTES:
 1. TECHNICAL CHARACTERISTICS:
 HOOD MATERIAL: DIE CAST ALUMINIUM ALLOY
 SURFACE: SEE TABLE
 DEGREE OF PROTECTION: IP68 (MATED)

注释:
 1. 技术参数:
 壳体材料: 铝合金
 表面处理: 见表格
 防护等级: IP68 (配合)

PART NUMBER	料号	PART DESCRIPTION	描述	PG/M THREAD-1
T1910161140-009	HI6BPR-TSH-M40-EMC-C	HI6BPR HOOD, DIAGONAL LOCKING, SIDE ENTRY M40, POWDER COATED, SILVER WHITE	HI6BPR对角锁定侧出上壳M40 银白色	M40
T1910161136-009	HI6BPR-TSH-PG36-EMC-C	HI6BPR HOOD, DIAGONAL LOCKING, SIDE ENTRY PG36, POWDER COATED, SILVER WHITE	HI6BPR对角锁定侧出上壳PG36 银白色	PG36
T1910161132-009	HI6BPR-TSH-M32-EMC-C	HI6BPR HOOD, DIAGONAL LOCKING, SIDE ENTRY M32, POWDER COATED, SILVER WHITE	HI6BPR对角锁定侧出上壳M32 银白色	M32
T1910161129-009	HI6BPR-TSH-PG29-EMC-C	HI6BPR HOOD, DIAGONAL LOCKING, SIDE ENTRY PG29, POWDER COATED, SILVER WHITE	HI6BPR对角锁定侧出上壳PG29 银白色	PG29
T1910161125-009	HI6BPR-TSH-M25-EMC-C	HI6BPR HOOD, DIAGONAL LOCKING, SIDE ENTRY M25, POWDER COATED, SILVER WHITE	HI6BPR对角锁定侧出上壳M25 银白色	M25
T1910161121-009	HI6BPR-TSH-PG21-EMC-C	HI6BPR HOOD, DIAGONAL LOCKING, SIDE ENTRY PG21, POWDER COATED, SILVER WHITE	HI6BPR对角锁定侧出上壳PG21 银白色	PG21
T1910160140-009	HI6BPR-TSH-M40-EMC-C	HI6BPR HOOD, DIAGONAL LOCKING, SIDE ENTRY M40, POWDER COATED, BLACK	HI6BPR对角锁定侧出上壳M40 黑色	M40
T1910160136-009	HI6BPR-TSH-PG36-EMC-C	HI6BPR HOOD, DIAGONAL LOCKING, SIDE ENTRY PG36, POWDER COATED, BLACK	HI6BPR对角锁定侧出上壳PG36 黑色	PG36
T1910160132-009	HI6BPR-TSH-M32-EMC-C	HI6BPR HOOD, DIAGONAL LOCKING, SIDE ENTRY M32, POWDER COATED, BLACK	HI6BPR对角锁定侧出上壳M32 黑色	M32
T1910160129-009	HI6BPR-TSH-PG29-EMC-C	HI6BPR HOOD, DIAGONAL LOCKING, SIDE ENTRY PG29, POWDER COATED, BLACK	HI6BPR对角锁定侧出上壳PG29 黑色	PG29
T1910160125-009	HI6BPR-TSH-M25-EMC-C	HI6BPR HOOD, DIAGONAL LOCKING, SIDE ENTRY M25, POWDER COATED, BLACK	HI6BPR对角锁定侧出上壳M25 黑色	M25
T1910160121-009	HI6BPR-TSH-PG21-EMC-C	HI6BPR HOOD, DIAGONAL LOCKING, SIDE ENTRY PG21, POWDER COATED, BLACK	HI6BPR对角锁定侧出上壳PG21 黑色	PG21

THIS DRAWING IS A CONTROLLED DOCUMENT. DWN DAVID WANG 02SEP2016
 CHRIS WANG 02SEP2016
 DIMENSIONS: mm TOLERANCES UNLESS OTHERWISE SPECIFIED: 0 PLC ±, 1 PLC ±, 2 PLC ±, 3 PLC ±, 4 PLC ±, ANGLES ±, FINISH ±

APVD: XIANG YU 02SEP2016
 NAME: HI6BPR-TSH-PG/M-EMC-C
 PRODUCT SPEC: 108-137191
 APPLICATION SPEC: 114-137191
 WEIGHT: -
 CUSTOMER DRAWING

SCALE: 1:1 SHEET 1 OF 1 REV A