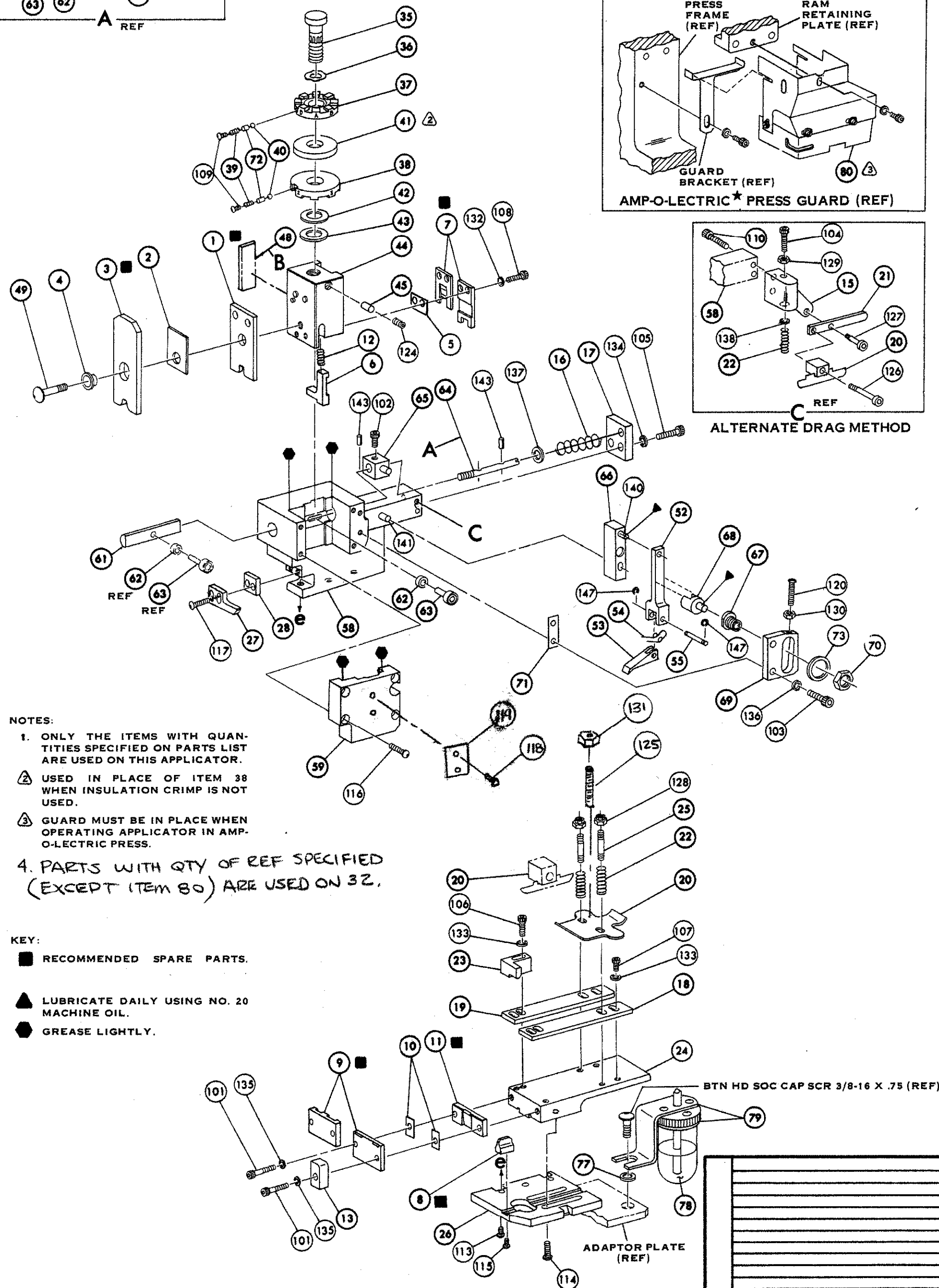
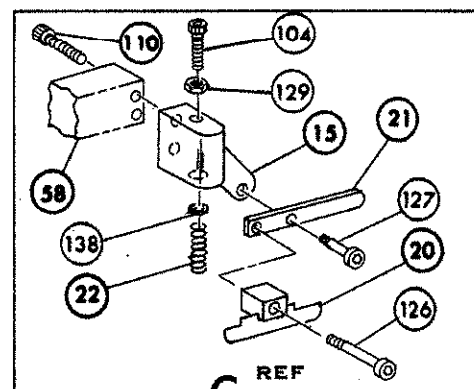
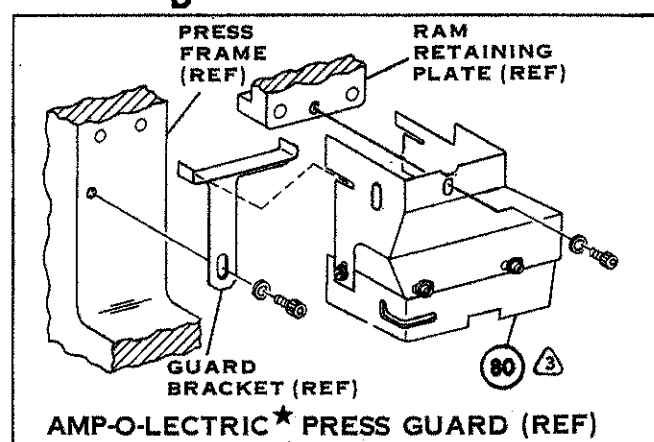
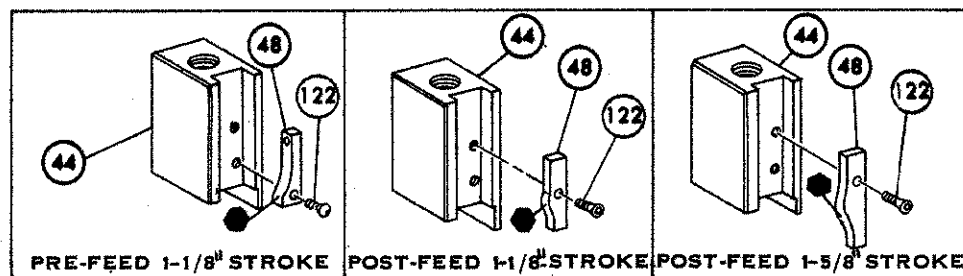
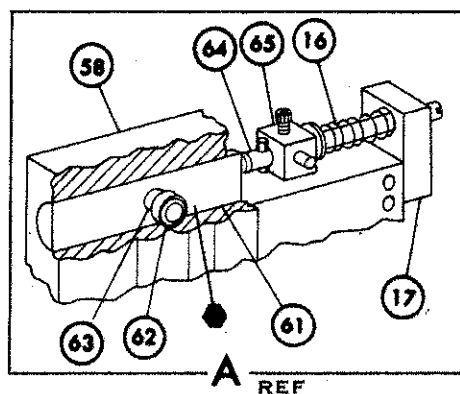


THIS IS A CONTROLLED DOCUMENT.



- NOTES:
- ONLY THE ITEMS WITH QUANTITIES SPECIFIED ON PARTS LIST ARE USED ON THIS APPLICATOR.
 - USED IN PLACE OF ITEM 38 WHEN INSULATION CRIMP IS NOT USED.
 - GUARD MUST BE IN PLACE WHEN OPERATING APPLICATOR IN AMP-O-LECTRIC PRESS.
 - PARTS WITH QTY OF REF SPECIFIED (EXCEPT ITEM 80) ARE USED ON 32.

- KEY:
- RECOMMENDED SPARE PARTS.
 - LUBRICATE DAILY USING NO. 20 MACHINE OIL.
 - GREASE LIGHTLY.

DIMENSIONS IN INCHES DO NOT SCALE PRINT.

REQ.	PART NO.	DESCRIPTION	NO.	REQ.	PART NO.	DESCRIPTION	NO.
162	REF	690517-1	SPACER	71			
161		22594-8	HEX. NUT	70			
160		240628-1	PLATE, ADJ	69			
159		240626-1	SHAFT, PIVOT	68			
158		240633-1	BUSHING	67			
157		455680-1	LEVER, INTERMEDIATE	66			
156		240629-1	BLOCK, PIVOT	65			
155		240632-2	SCREW, ADJ	64			
154		240659-3	PIN, CAM ROLLER	63			
153		240658-1	CAM, ROLLER	62			
152	REF	454398-1	ROD, FEED	61			
151				60			
150	REF	454220-1	CAP, RAM	59			
149	REF	453736-1	HOUSING	58			
148				57			
147				56			
146	REF	240624-1	PIN, FEED FINGER	55			
145	REF	691499-1	SPRING, FEED FINGER	54			
144	REF	240635-1	FINGER, FEED	53			
143	REF	240634-3	LEVER, TERMINAL	52			
142				51			
141				50			
140	1	7-21002-9	BOLT, CRIMPER	49			
139	1	690501-4	CAM, POST FEED 1-5/8 STROKE	48			
138				47			
137				46			
136	1	690191-1	PLUG, NYLON	45			
135	1	455674-2	RAM	44			
134	1	690125-1	WASHER, LAMINATED	43			
133	1	690124-1	WASHER, RAM	42			
132				41			
131	2	23241-6	BALL, STEEL	40			
130	2	690170-1	SPRING, COMPRESSION	39			
129	1	690142-1	DISC, INSULATION	38			
128	1	7-690192-1	DISC, WIRE	37			
127	1	22480-5	WASHER, SPRING	36			
126	1	690212-1	POST, RAM	35			
125				34			
124				33			
123	1	458980-2	APPLICATOR, BASIC (SUB ASSY)	32			
122				31			
121				30			
120				29			
119	1	3-690451-2	SPACER, STRIPPER	28			
118	1	240639-1	STRIPPER	27			
117	REF	455676-1	PLATE, BASE	26			
116	2	22354-8	DRAG, STUD	25			
115	1	455678-6	PLATE, STRIP GUIDE	24			
114				23			
113	2	4-22281-1	SPRING, DRAG	22			
112		240636-1	LEVER, DRAG	21			
111	1	454177-1	DRAG, STOCK	20			
110	1	1-458030-2	GUIDE, STRIP REAR	19			
109	1	1-458031-2	GUIDE, STRIP FRONT	18			
108	REF	454178-1	GUIDE, FEED ROD	17			
107	REF	4-22284-9	SPRING, FEED RETURN	16			
106		454665-1	ADAPTOR, DRAG	15			
105				14			
104				13			
103				12			
102	1	691901-2	SPRING, HOLD DOWN	11			
101	2	1-240645-6	SPACER, SHEAR PLATE	10			
80	1	690783-2	PLATE, FRONT SHEAR	9			
79	1	4-240655-5	ANVIL	8			
78	1	691157-3	BLADE, SLUG	7			
77				6			
76	1	2-240641-8	HOLD DOWN	5			
75	1	238009-1	SPACER, SHEAR BLADE	4			
74	1	1-456134-2	SPACER, TUBULAR, INS CRIMPER	3			
73	1	455888-2	CRIMPER, INSULATION	2			
72	1	456409-2	SPACER, INSULATION	1			
71							
70							
69							
68							
67							
66							
65							
64							
63							
62							
61							
60							
59							
58							
57							
56							
55							
54							
53							
52							
51							
50							
49							
48							
47							
46							
45							
44							
43							
42							
41							
40							
39							
38							
37							
36							
35							
34							
33							
32							
31							
30							
29							
28							
27							
26							
25							
24							
23							
22							
21							
20							
19							
18							
17							
16							
15							
14							
13							
12							
11							
10							
9							
8							
7							
6							
5							
4							
3							
2							
1							

TERM APPL SPEC 114-2084

CRIMPING DATA				THIS APPLICATOR WILL APPLY
PAD LETTER	CRIMP HEIGHT	WIRE SIZE	WIRE LENGTH	
A	.066	16	.125-.155	41471
B	.060	18	.125-.155	41472
C	.057	20	.125-.155	
D	NOT USED			
CRIMP SIZE	TYPE	FEED	PRESS REF.	
120	F			
WIRE	155	F		
INSULATION			.504	
INSULATION RANGE	WIRE RANGE	APPLICATOR INSTRUCTION		
100-135	20-16	A18039		
REMARKS: AMPOMATOR				
LAYOUT L1772				

REV	DATE	DESCRIPTION	BY	CHKD
J	0150-1457-04			
H	0150-0393-03			
G	0150-8254-97			
F	0150-7827-97			
E	0150-7275-96			
D	0150-6882-96			
C	0150-6740-96			
B	REV PER ECN			
A	REV PER ECN			
	REV PER ECN			
	REV PER ECN			

REV	DATE	DESCRIPTION	BY	CHKD
LTR		REVISION RECORD		
ECN		REVISION RECORD		

AMP INCORPORATED HARRISBURG, PENNA. NO. 687819-113

CUSTOMER AND ASSEMBLY DRAWING