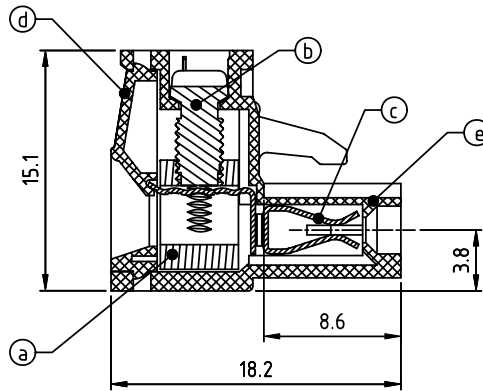
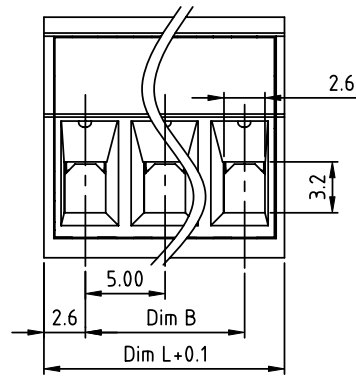
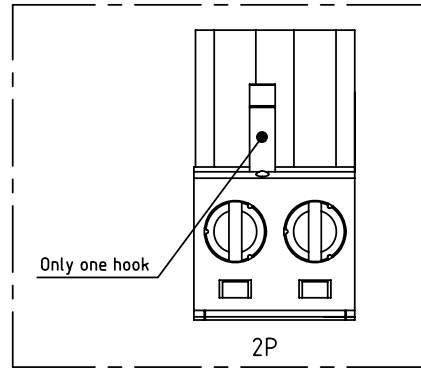
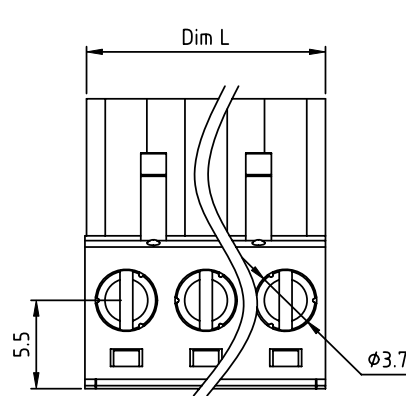


PRODUCT NUMBER	PITCH
TJxx71x000J0G	5.00 mm



Material

- Item ① Clamp: Brass(CuZn) Ni plated
- Item ② Terminal screw: Steel Zinc plating "-" slot type
- Item ③ Female contact: High conductivity copper, Tin plated
- Item ④ Terminal Cover: Thermoplastic (UL94V-0)
- Item ⑤ Terminal housing: Thermoplastic (UL94V-0)

Electrical cULus/VDE/TUV

- Voltage rating: 300VAC/300VAC/300VAC
- Current rating: 20A/20A/20A
- Wire range: 2.5mm²/0.34-2.5mm²
- Solid wire(AWG): 12-24
- Stranded wire(AWG): 12-24
- Torque: 5Lb-In/0.5Nm/0.56Nm
- Screw: M3
- Wire strip length: 7-8mm
- Withstanding Voltage: 1.6KV/2.5KV/2.5KV
- Operating temperature: -40°C to +115°C
- Safety Approval: cULus VDE TÜV

N=NUMBER OF POLES

Dim L=Nx5.00
Dim B=(N-1)x5.00

POLES	Tolerance
2P-5P	±0.15
6P-10P	±0.20
11P-15P	±0.25
16P-20P	±0.30
21P-24P	±0.40

PART NO.: TJ xx 71x 0 00J0 G

No. of poles	0	Black (RAL9005)	RoHS compliant (lead<4%) In copper Alloy
02 2 poles	2	Red (RAL3001/D)	
03 3 poles	3	Orange(RAL2011/P)	
...	4	Yellow(RAL1018/A)	
24 24 poles	5	Green(RAL6018/T)	
	6	Blue (RAL5015/A)	
	8	Grey(RAL7035/D)	
	9	White(RAL1102)	
	C	Green(RAL6018/U)	

mat'l. code		surface ASME Y14.5	tolerance ASME Y14.5	projection	product family TERMINAL BLOCK
ltr	ecn no	dr	date	tolerances unless otherwise specified	title
				angles X±0.5	TERMINAL BLOCK
				MM	PLUGGABLE PLUG, CONTACT ON DOWN SIDE
				X*±1"	scale
		dr	HANKE FENG	031514	FCI logo
		engr	HANKE FENG	031514	dwg no
		chr	SHI JUN	031514	sheet 1 of 1
		appd	SHI JUN	031514	size
					TJxx71x000J0G
					A4
sheet index	revision	A			type
	sheet	1			CUSTOMER Drawing