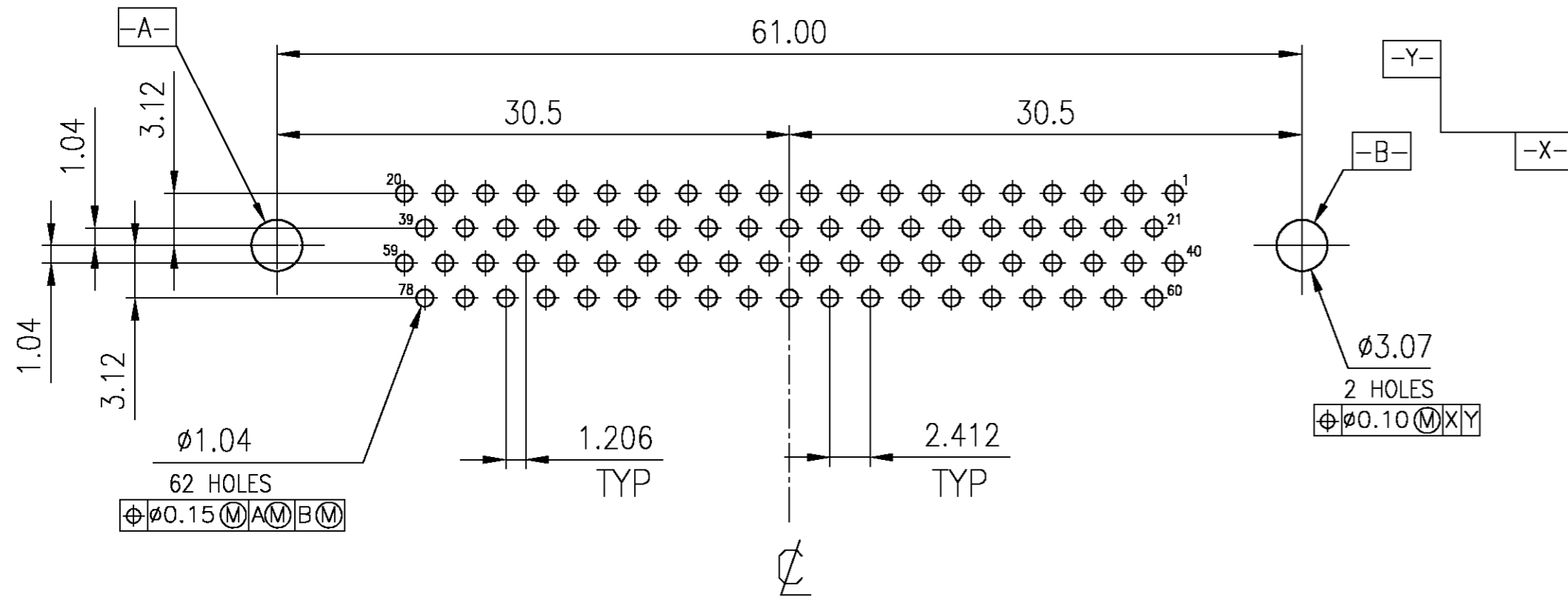
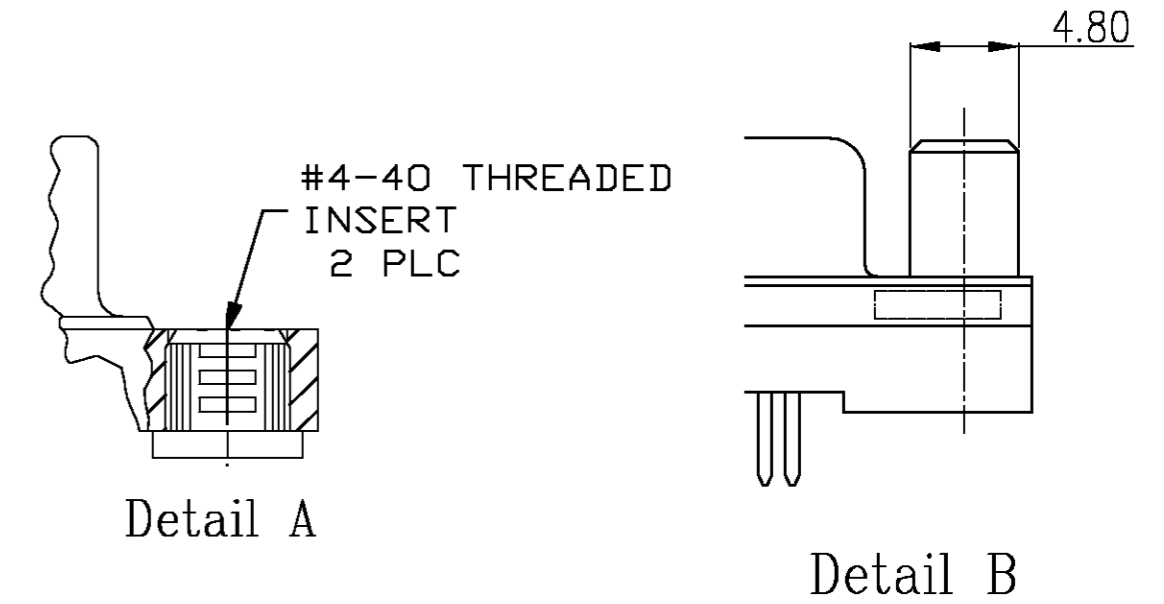
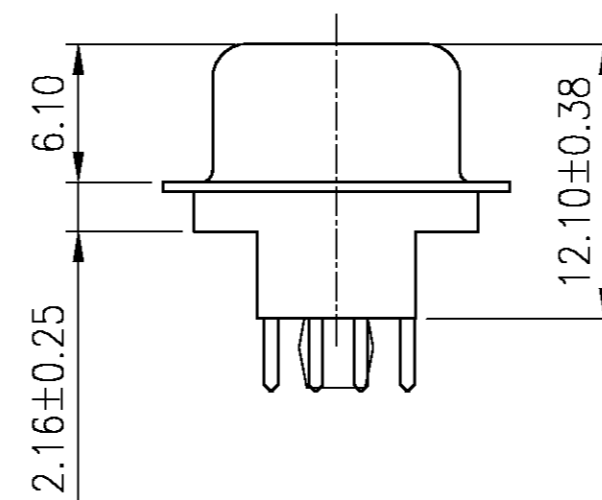
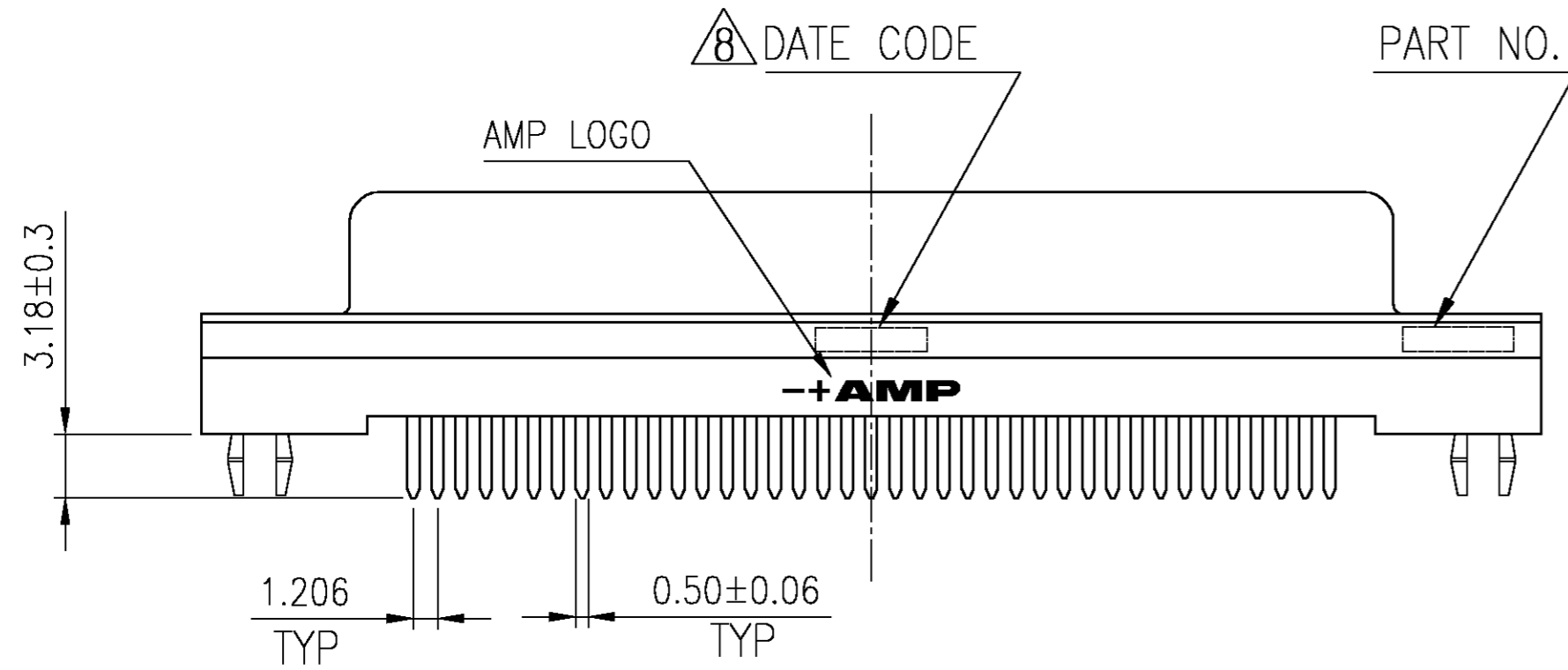
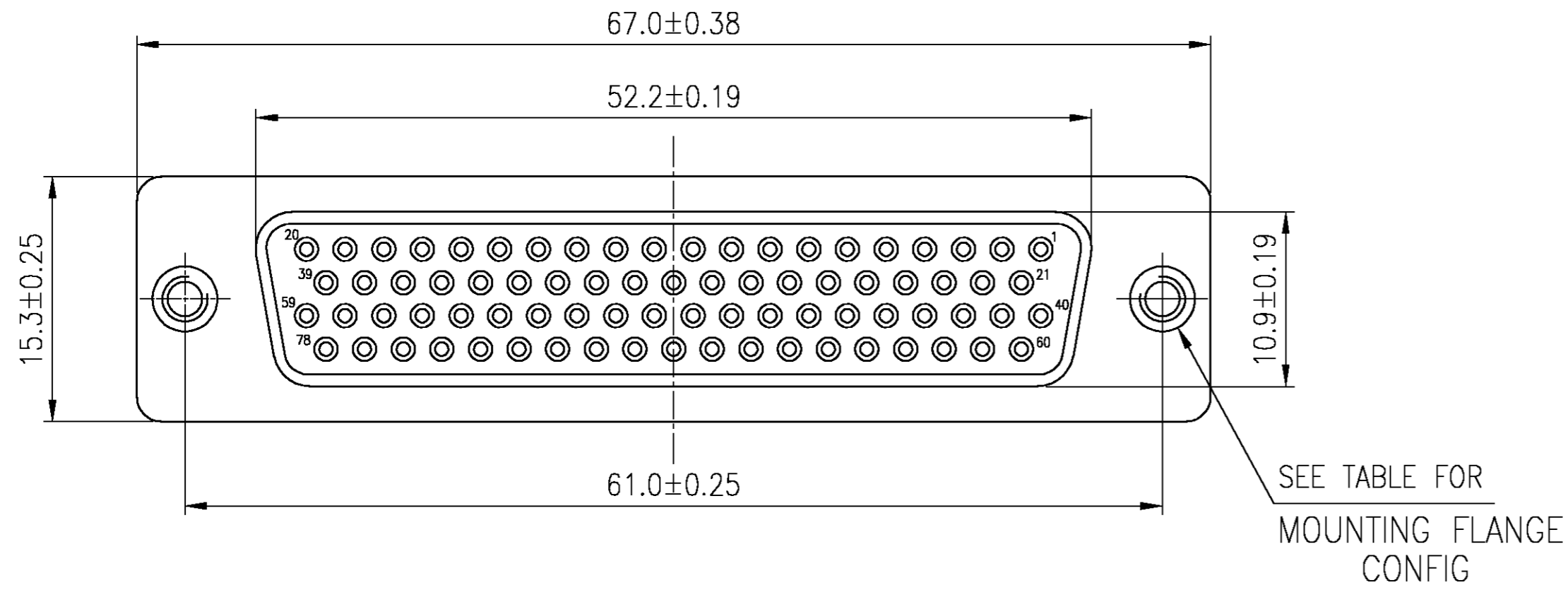
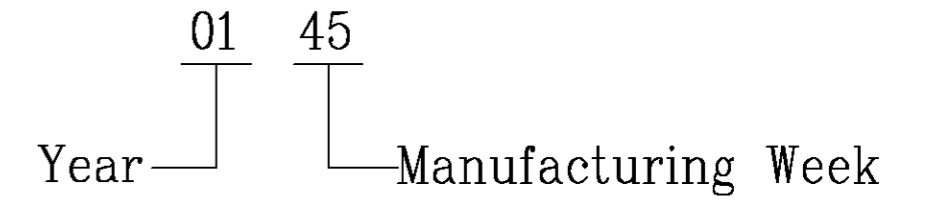


THIS DRAWING IS UNPUBLISHED. RELEASED FOR PUBLICATION  
 © COPYRIGHT BY TYCO ELECTRONICS CORPORATION. ALL RIGHTS RESERVED.

LOC		DIST		REVISIONS				
GP	0	P	LTR	DESCRIPTION		DATE	DWN	APVD
		N		REVISED PER EC OS11-0057-04		26FEB04	JB	CC

**MATERIAL:**

- Housing: PBT , 30 % G.F polyester, Black. ( UL 94V-0 Rated )
  - Contact: Phos. Bronze.
  - Contact Plated: Gold plated over 50u" Nickel underplated.
  - Solder Tail: Sn/Pb plated 120u" over 50u" Nickel underplated.
  - Shell: Steel, Nickel plated.
  - Rivet: Brass, Nickel plated 30u" Min.
- ⚠ 4-40 Retention Inserts, 2 places as shown.  
 ⚠ 8 Four digit date code in this format.



RECOMMENDED PCB LAYOUT

YES	Tray	Detail B	30 μ"	1-748831-1
NO	Tray	Detail A	Gold flash	⚠ 1-748831-0
NO	Tray	Detail A	15 μ"	⚠ 748831-9
NO	Tray	Detail A	30 μ"	748831-1
Retention Pegs	Packaging	Mounting Flange Config	Contact Finish	AMP Part NO.

THIS DRAWING IS A CONTROLLED DOCUMENT.

DIMENSIONS: MM	TOLERANCES UNLESS OTHERWISE SPECIFIED:	DWN: J.BURWELL	OBJULY02	Tyco Electronics Corporation Harrisburg, PA
0 PLC ± - 1 PLC ± 0.30 2 PLC ± 0.20 3 PLC ± 0.10 4 PLC ± - ANGLES ± 2° FINISH -	PRODUCT SPEC - APPLICATION SPEC - WEIGHT -	CHK: C.CASH	OBJULY02	
NAME: AMPLIMITE HD-22 78 POS RECEPTACLE, VERTICAL				RESTRICTED TO: -
MATERIAL: -		CAGE CODE: 00779		DRAWING NO: C=748831
CUSTOMER DRAWING			SCALE: 3:1	SHEET 1 OF 1 REV N