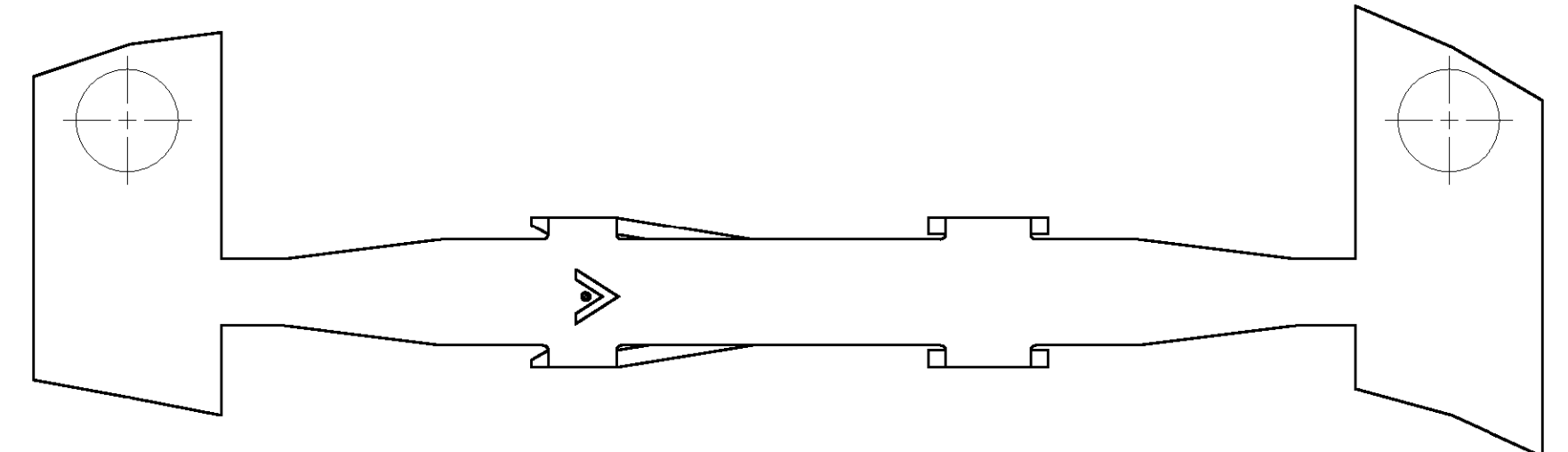
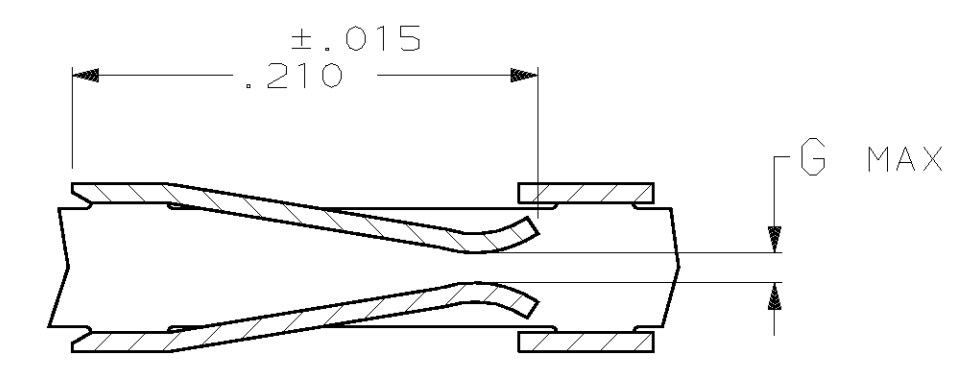
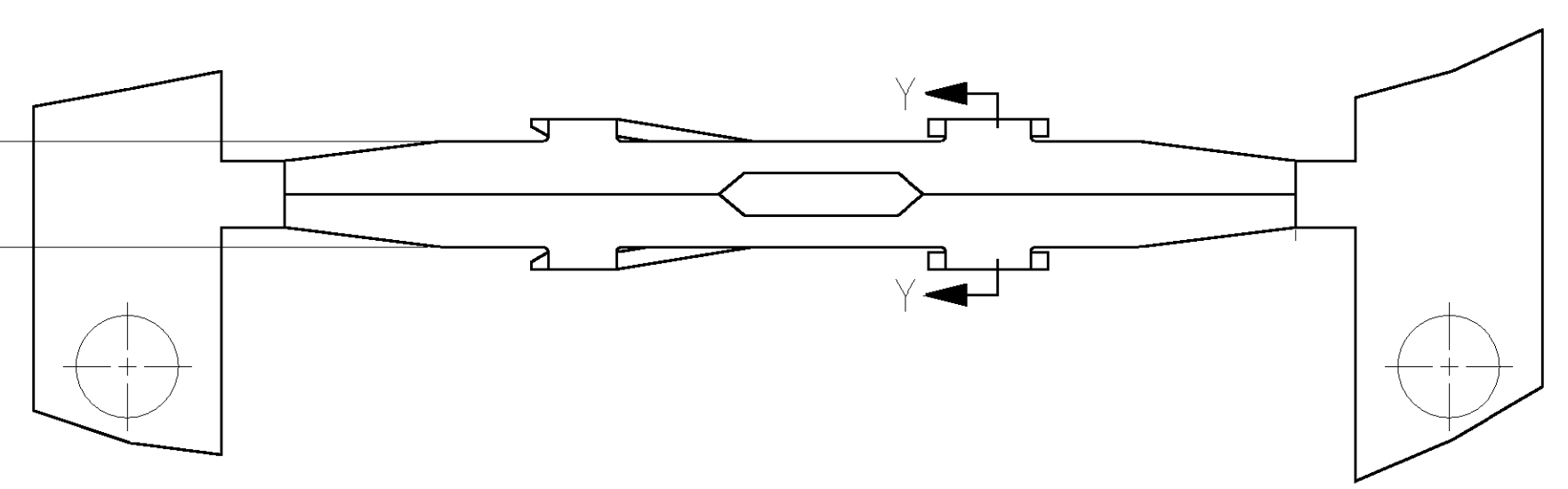
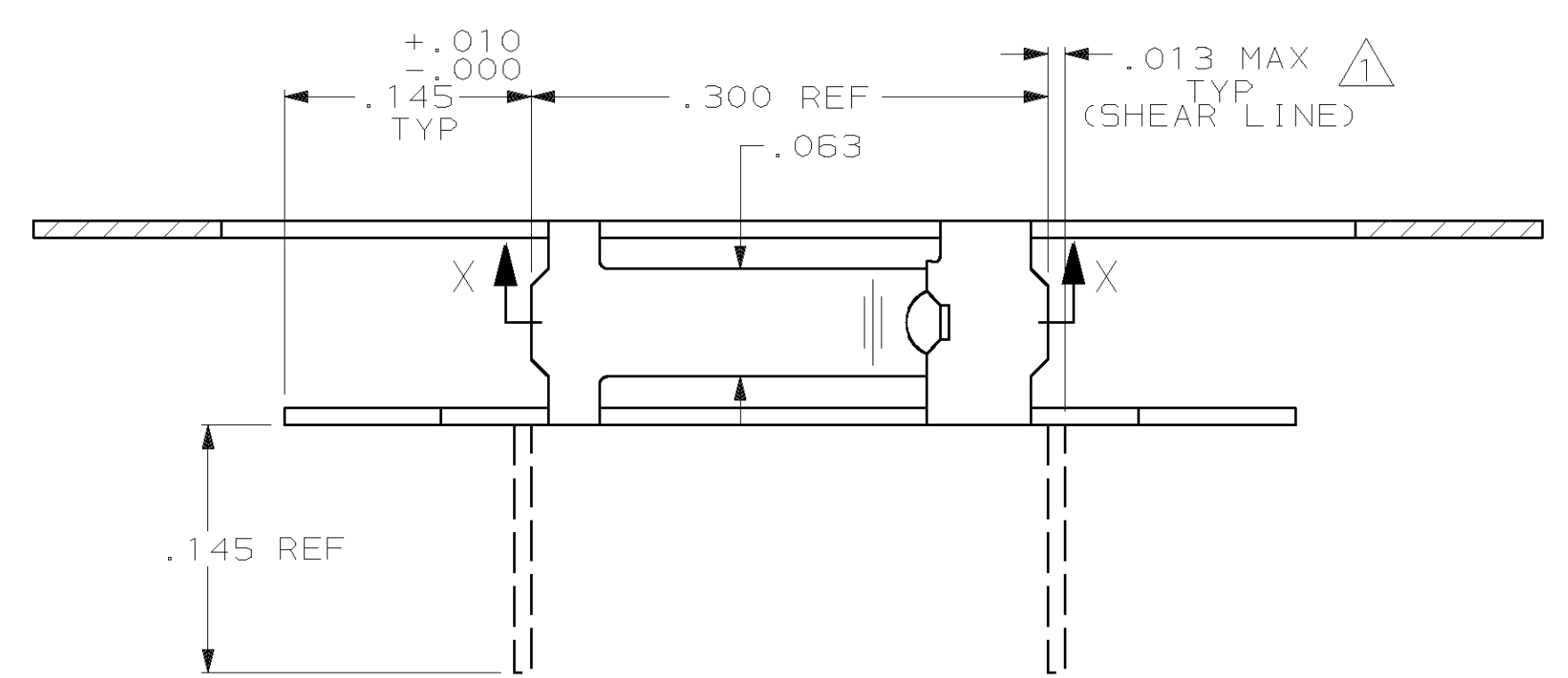


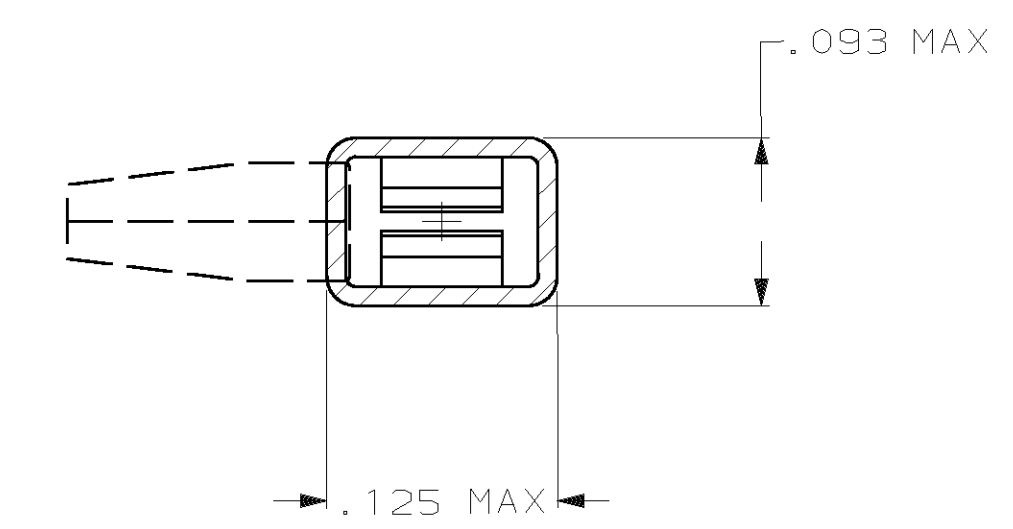
| MOD | LOC | DIST | P | F | ZONE | LTR | DESCRIPTION            | DATE     | APPD |
|-----|-----|------|---|---|------|-----|------------------------|----------|------|
| 27  | AD  | 39   |   |   |      | H   | REV REDRAWN PER AR2730 | 10-17-89 | -    |
|     |     |      |   |   |      | J   | REV PER ECN AR2785     | 11-10-89 | -    |
|     |     |      |   |   |      | K   | REV LOC & DIST AD-4171 | 3-90     | BF   |
|     |     |      |   |   |      | L   | REV PER 0010-1175-95   | 12-30-96 | JH   |
|     |     |      |   |   |      | M   | REV PER 063C-0062-00   | 11FEB00  | MZ   |



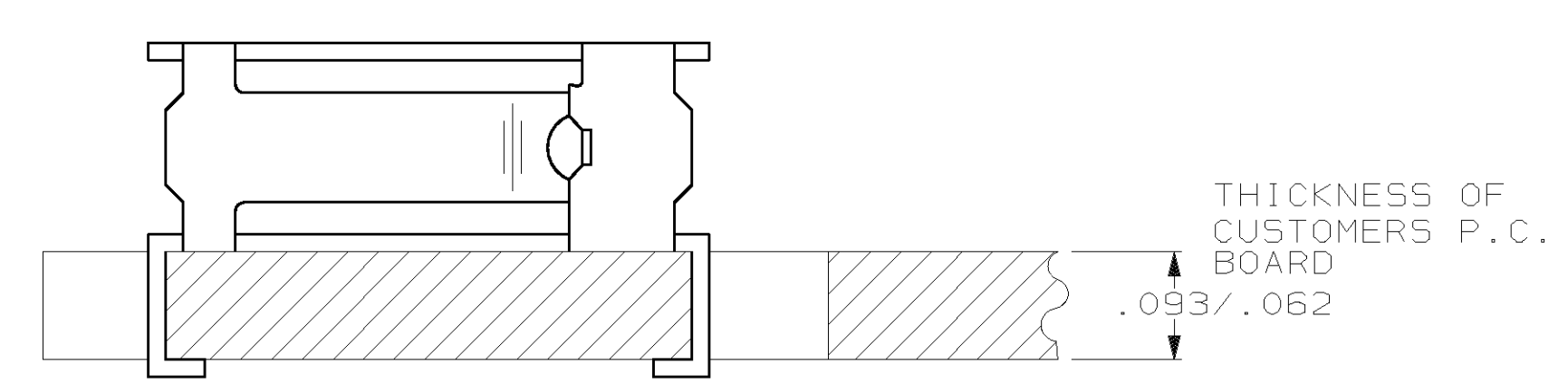
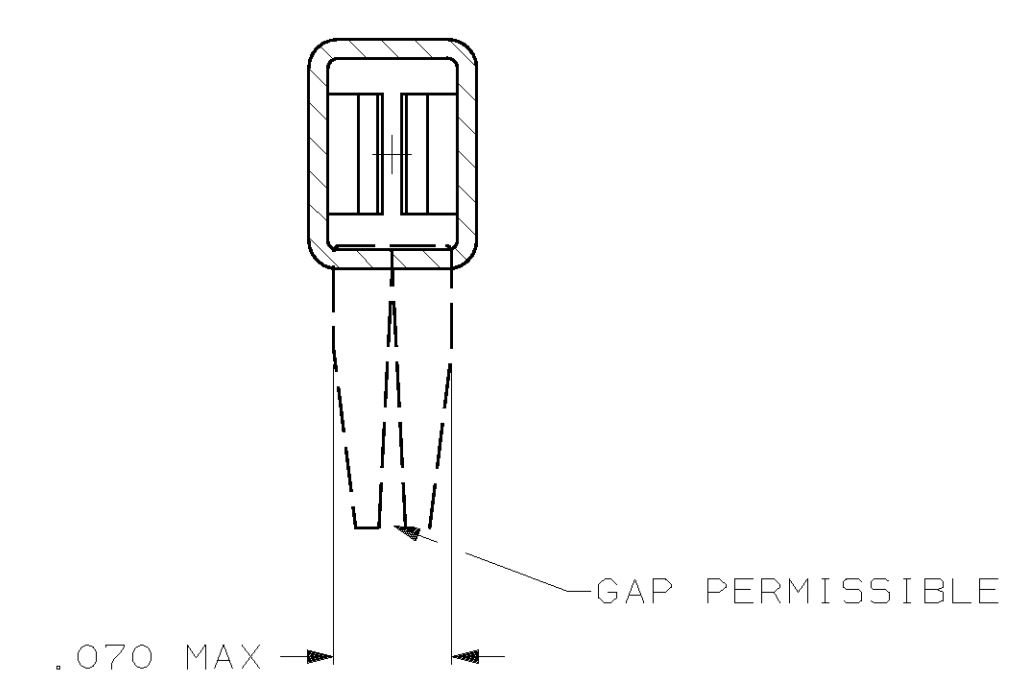
- ① CONTACT LEGS SHOWN DOTTED & SHEAR LINES DEFINE LOOSE PIECE PART.
- ② .000030 GOLD OVER .000050 NICKEL ENTIRE TERMINAL.
- ③ .000100-.000200 BRIGHT TIN OVER .000030 NICKEL.
- ④ GOLD FLASH OVER .000050 NICKEL ENTIRE TERMINAL, .000030 GOLD IN CONTACT AREA ONLY.
- ⑤ GOLD FLASH OVER .000050 NICKEL ENTIRE TERMINAL, .000015 GOLD IN CONTACT AREA ONLY.
- ⑥ .000079 MIN TIN.
- ⑦ OBSOLETE PART NUMBER.



SECTION X-X



SECTION Y-Y



TYPICAL APPLICATION

|      |        |                     |             |
|------|--------|---------------------|-------------|
| .014 | ③      | ⑦ 85493-6           | ① 85487-8   |
| .010 | ⑤      | 85493-5             | 85487-5     |
| .010 | ④      | 85493-4             | 85487-4     |
| .010 | ⑥      | 85493-3             | 85487-3     |
| .010 | ②      | ① 85493-2           | 85487-2     |
| .014 | ③      | ① 85493-1           | ① 85487-1   |
| G    | FINISH | LOOSE PIECE PART NO | PART NUMBER |

| DO NOT SCALE PRINT. UNLESS SPECIFIED DIMENSIONS IN INCHES TOLERANCES ON: |                  | PART NO                         |  |
|--|------------------|---------------------------------|--|
| 2 PLC DEC ± .005   | 3 PLC DEC ± .005 | DR 10-17-89<br>D KEITZER        | AMP INCORPORATED<br>Harrisburg, Pa. 17105  |
| ANGLES ±   |                  | CHK 10-23-89<br>SCOTT A SHUEY   | NAME<br><b>CONTACT, FEMALE, MOD I,<br/>HORIZONTAL, STD. PRESSURE,<br/>TYPE C</b> |
|  |                  | APPD 10-23-89<br>MARIAN P CLARK |  |
| PHOS. BRONZE   | PRODUCT SPEC     | APPD 10-23-89<br>B FLINCHBAUGH  | SIZE<br><b>D</b>   |
| FINISH<br>SEE TABLE  | APPLICATION SPEC |                                 | CAGE CODE<br>00779   |
|  | WEIGHT           |                                 | DRAWING NO<br>85487  |
|  |                  |                                 | SCALE<br>10:1  |
|  |                  |                                 | SHEET<br>1 OF 1  |