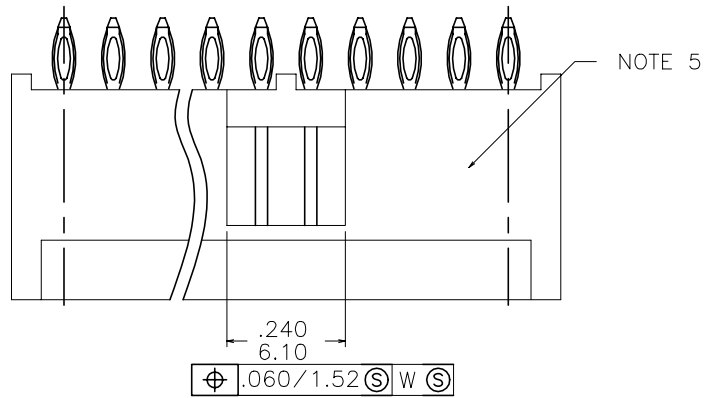
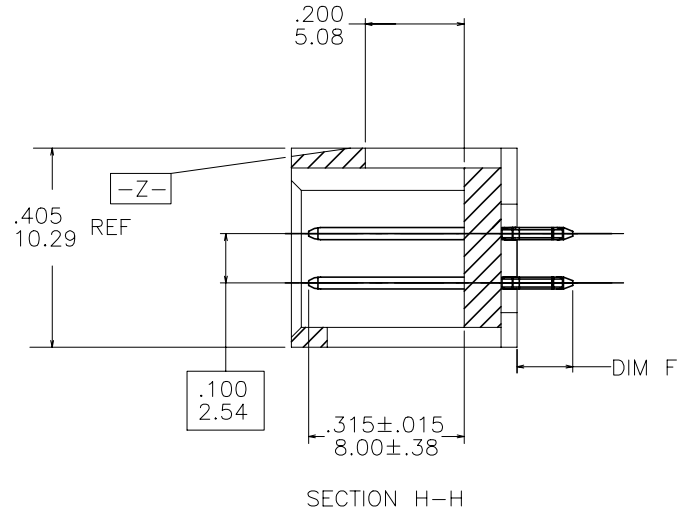
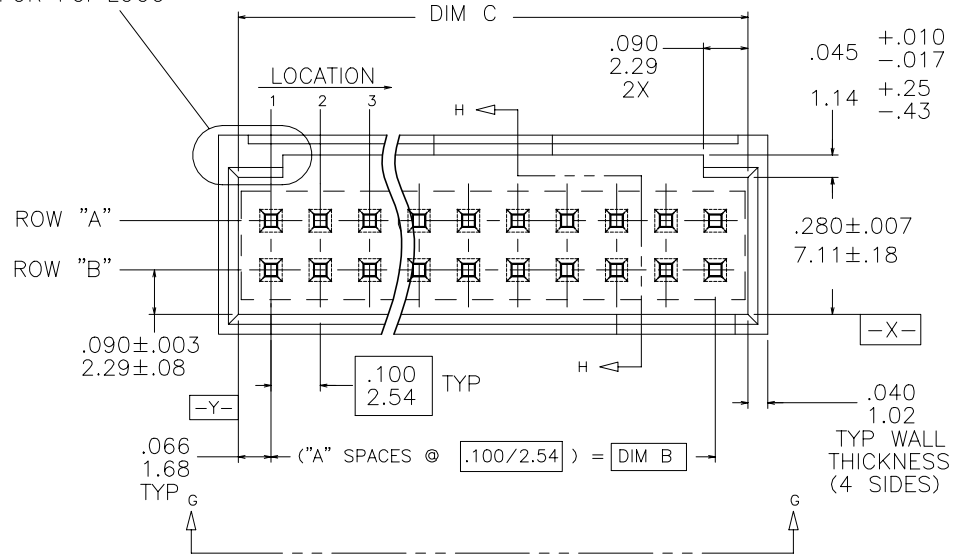


PRODUCT NUMBER
SEE TABLE



OPTIONAL LOCATION FOR FCI LOGO

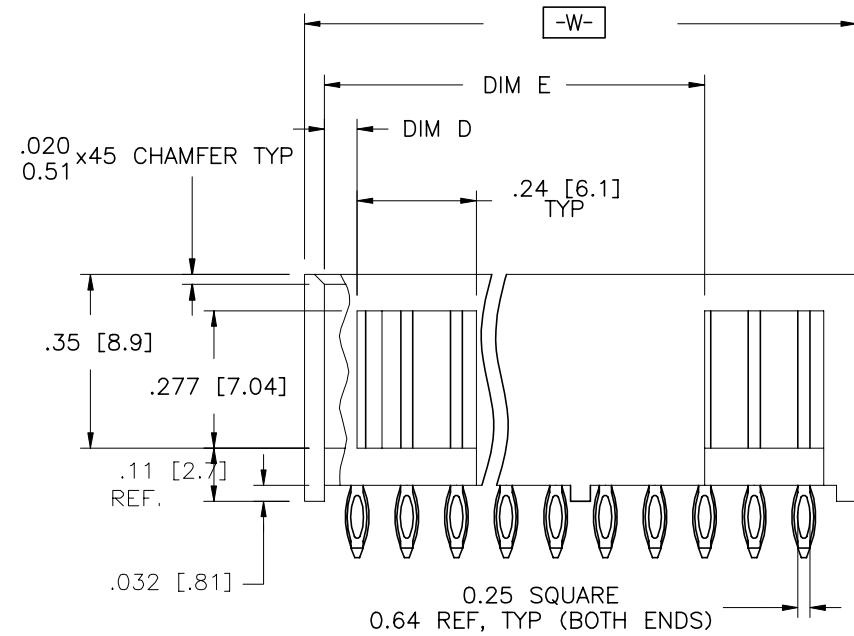


mat'l. code SEE NOTES				surface	tolerance	projection	product family HEADER				
ltr	ecn no	dr	date	tolerances unless otherwise specified		INCH/MM	title STRAIGHT HEADER TERMINAL EON				
A	VO6-0219	DAI	2006-03-07	angles	.XX±.01/.XX±.3		dwg no				
B	VO6-0474	DAI	2006-05-17	linear	.XXX±.005/.XX±.13	scale 1:1	sheet 1 of 2 size				
C	NO6-0269	LONG	10/23/06	0°±2'	.XXX±.0020/.XXX±.05		10066744 A3				
D	NO8-0026	R.B	31/01/08	dr	D.INGRAM	2006-03-07	type				
E	NO8-0032	R.B	02/28/08	engr	H.SUNDY	2006-03-07	CUSTOMER Drawing				
				chr	H.SUNDY	2006-03-07					
				app	H.SUNDY	2006-03-07					
sheet index	revision sheet	D	D								
		1	2								

PRODUCT NUMBER	NO. OF		A	DIM B	DIM B	DIM C±.005	DIM C±0.13	DIM D±.005	DIM D±0.13	DIM E±.005	DIM E±0.13	DIM F	DIM F
	POS	PINS	SPACES	ENGLISH	METRIC	ENGLISH	METRIC	ENGLISH	METRIC	ENGLISH	METRIC	ENGLISH	METRIC
10066744-010	10	10	4	.400	10.16	0.532	13.51	0.166	4.22	0.000	0.00	0.113	2.87
10066744-016	16	16	7	.700	17.78	0.832	21.13	0.266	6.76	0.000	0.00	0.113	2.87
10066744-020	20	20	9	.900	22.86	1.032	26.21	.066	1.68	0.766	19.46	0.113	2.87
10066744-050	50	50	24	2.400	60.96	2.532	64.31	.066	1.68	2.266	57.56	0.113	2.87
10066744-010ALF	10	10	4	.400	10.16	0.532	13.51	0.166	4.22	0.000	0.00	0.113	2.87
10066744-016ALF	16	16	7	.700	17.78	0.832	21.13	0.266	6.76	0.000	0.00	0.113	2.87
10066744-020ALF	20	20	9	.900	22.86	1.032	26.21	.066	1.68	0.766	19.46	0.113	2.87
10066744-050ALF	50	50	24	2.400	60.96	2.532	64.31	.066	1.68	2.266	57.56	0.113	2.87

NOTES:

1. TERMINAL MATERIAL: 3/4 HARD PHOS. BRONZE ALLOY, UNS-C51000
2. TERMINAL PLATING: 30μ"/.76μ PRECIOUS METAL OVER 50μ"/1.27μ Ni. PLATING ON SWAGED TIP MANUFACTURER'S OPTION.
3. MOLDING MATERIAL: GLASS FILLED POLYESTER, FLAME RETARDANT PER UL-94V-0 COLOR: BLACK
4. .020/.51 MAX FLASH PERMISSIBLE AROUND ALL WINDOWS.
5. COMPANY LOGO TO BE LOCATED IN THIS AREA.
6. PIN RETENTION TO BE 3 LBS/1.36 KG MIN PER PIN IN EITHER DIRECTION.
7. RECOMMENDED PLATED THRU HOLE DIMENSIONS:
 DRILLED HOLE: ϕ .0453/0.151±.0010/0.025
 COPPER PLATING THICKNESS: .001/0.025 TO .003/0.076
 SOLDER PLATING THICKNESS: .0003/0.076 TO .0007/0.0178
 OVERALL HOLE SIZE: ϕ .040/1.016±.003/0.076
8. PART NUMBERS WITH LF IN THE END ARE LEAD FREE.
9. LEAD FREE STATEMENT: THIS PRODUCT MEETS EUROPEAN UNION DIRECTIVES AN OTHER COUNTRY REGULATION AS DESCRIBED IN GS-22-008.
10. THE HOUSING TEMPERATURE WITHSTAND EXPOSURE TO 260°C PEAK TEMPERATURE FOR 15 SECONDS IN A WAVE SOLDER APPLICATION .



ϕ	ϕ	.015/.38	M	X	M	Y	M	AT TIP, TYP.
ϕ	ϕ	.006/.15	M	X	M	Y	M	AT BASE, TYP.

VIEW G-G

mat'l. code		surface		tolerance		projection		product family	
SEE NOTES		✓		tolerances unless otherwise specified		INCH/MM		HEADER	
ltr	ecn no	dr	date	angles	linear	scale 1:1		title	
E				0°±2'	.XX±.01/.XX±.3 .XXX±.005/.XX±.13 .XXX±.0020/.XXX±.05			STRAIGHT HEADER TERMINAL EON	
		dr	D.INGRAM	2006-03-07				dwg no	
		enr	H.SUNDY	2006-03-07				sheet 2 of 2	
		chr	H.SUNDY	2006-03-07				size	
		appd	H.SUNDY	2006-03-07				10066744	
sheet index		revision sheet						type	
								CUSTOMER Drawing	