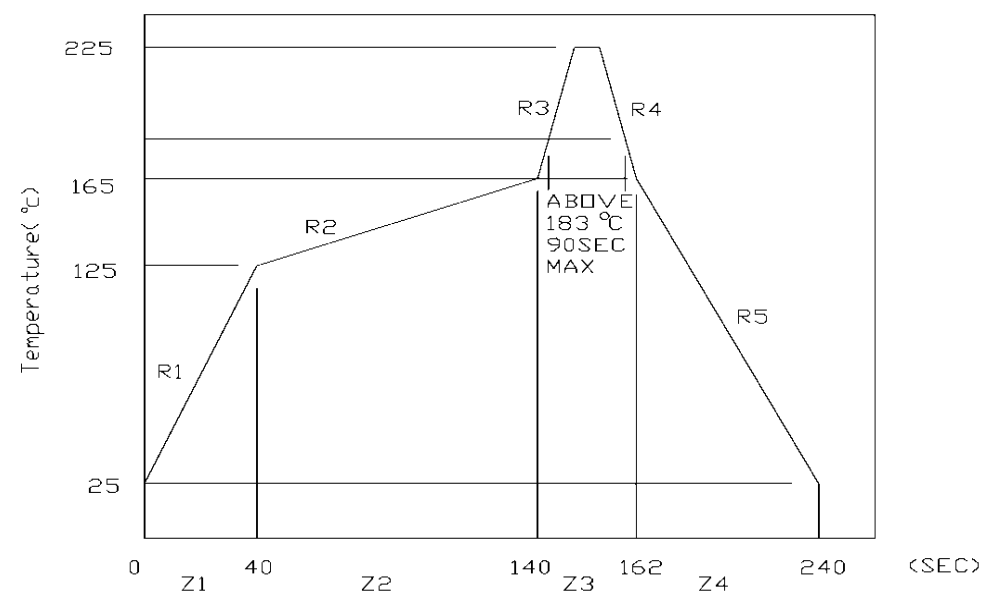
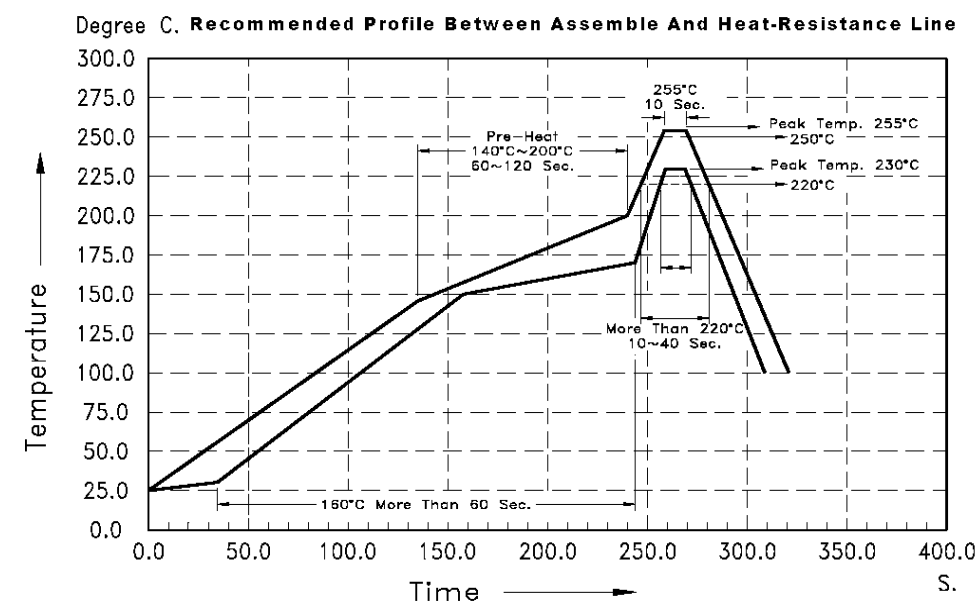


REV	ECN NO	REVISIONS	DRN	CKD	APP	DATE
A		NEW RELEASE	TC	DC	N.O.	4-1-99
B		ADDED NOTE 9.	TC	DC	N.O.	6-9-99
C		ADDED RoHS COMPLIANT "F" SUFFIX P/Ns, RoHS AND NORMAL REFLOW PROFILE & RoHS NOTE; UPDATED FORMAT; REVISED LEAD FINISH AND PACKAGING NOTES	TWC			



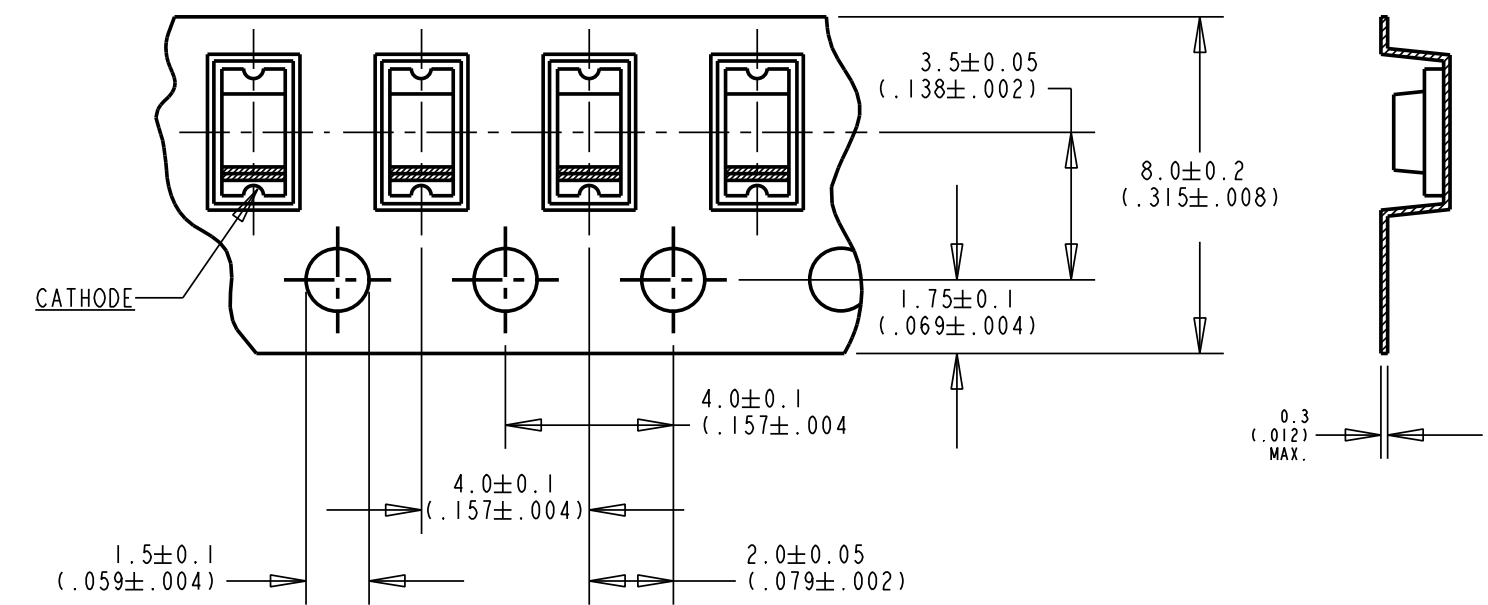
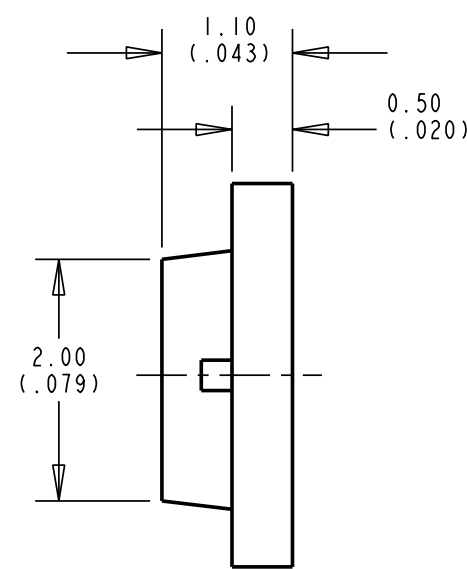
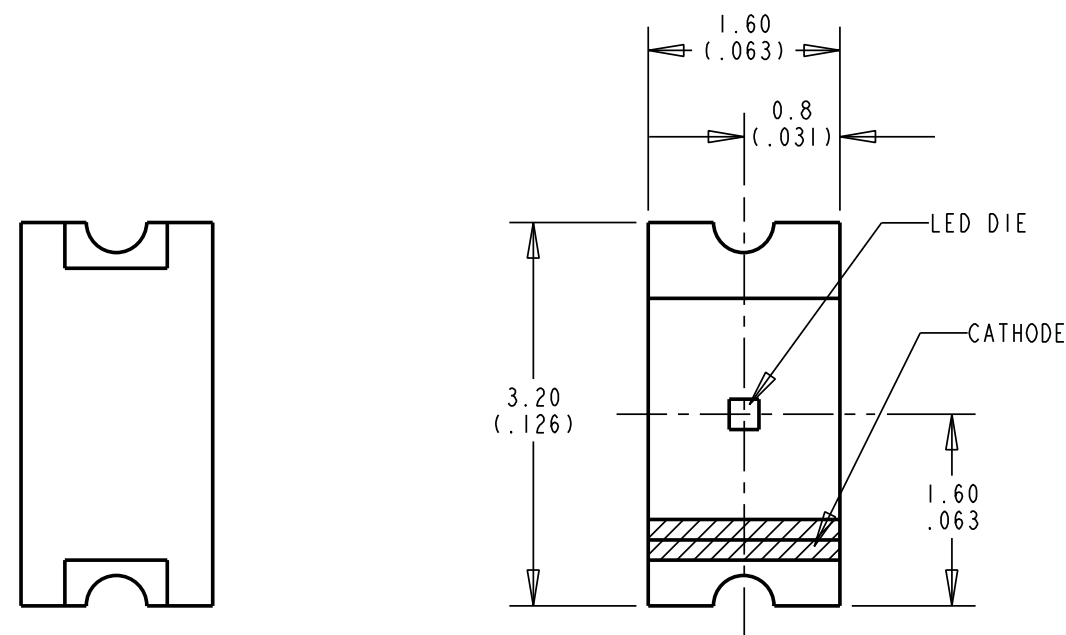
REFLOW PROFILE FOR NORMAL PARTS



REFLOW PROFILE FOR RoHS COMPLIANT PARTS

NOTES:

- EPOXY COLOR: WATER CLEAR.
- DIE: GoP.
- LEADS: GOLD (Au) PLATED ON COPPER ALLOY (Cu) ON FR-4 SUBSTRATE
- SOLDER ADHERANCE: BOTH LEADS PER MIL-STD-202E, METHOD 208C.
- PART TAPED AND REELED PER EIA-RS-481-1.
- PART SUPPLIED 3000 DEVICES PER 7" DIAMETER REEL, ONE REEL PER SEALED ALUMINUM BAG WITH DESICCANT.
- LABELING FOR REEL AND OUTSIDE OF ALUMINUM FOIL BAG: DIALIGHT P/N, QUANTITY PER REEL, DATE CODE, INTENSITY BIN CODE, LOT NUMBER AND COUNTRY OF ORIGIN.
- DIALIGHT P/N: 597-3302-607, -602 AND 597-3302-607F, -602F
- TAPE AND REEL LEADS MAY REQUIRE RE-TAPING AFTER TWELVE MONTHS.
- PART NUMBER WITH "F" SUFFIX ENDING IS RoHS COMPLIANT. EXAMPLE: 597-3302-607F. THE REEL AND BAG ARE MARKED WITH "RoHS COMPLIANT" LABEL OR EQUIVALENT MARKINGS.



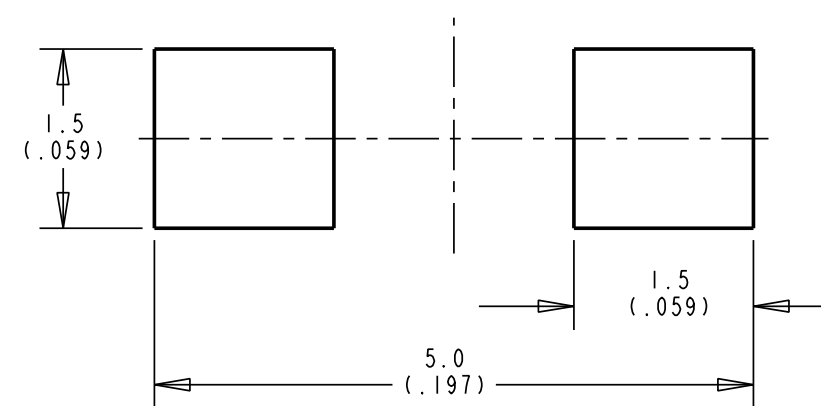
PACKAGE DIMENSIONS OF TAPE AND REEL

ABSOLUTE MAXIMUM RATINGS AT 25° C AMBIENT

	GREEN	UNITS
POWER DISSIPATION	100	mW
DERATE LINEARLY FROM 50° C	0.6	mW/°C
CONTINUOUS FORWARD CURRENT	30	mA
PEAK FORWARD CURRENT (1/10 DUTY CYCLE, 0.1 ms PULSE WIDTH)	120	mA
REVERSE VOLTAGE	5	V
OPERATING TEMPERATURE	-55 TO +85	°C
STORAGE TEMPERATURE	-55 TO +85	°C
WAVE SOLDERING CONDITION	260° C FOR 5 SEC	
INFRARED SOLDERING CONDITION	260° C FOR 5 SEC	
VAPOR PHASE SOLDERING CONDITION	215° C FOR 3 MIN	

OPERATING CHARACTERISTICS AT 25° C AMBIENT

LED CHARACTERISTICS	MIN.	TYP.	MAX.	UNITS	TEST CONDITIONS
LUMINOUS INTENSITY (I <sub>v</sub> )	4.0	8.0	30.0	mc d	I <sub>f</sub> = 10 mA
VIEWING ANGLE (2θ 1/2)		130		DEGREES	
PEAK WAVELENGTH (λ <sub>p</sub> )		565		nm	MEASUREMENT @ PEAK
DOMINANT WAVELENGTH (λ <sub>d</sub> )		569		nm	
SPECTRAL LINE HALF-WIDTH (Δλ)		30		nm	
FORWARD VOLTAGE (V <sub>f</sub> )		2.1	2.6	V	I <sub>f</sub> = 20 mA
REVERSE CURRENT (I <sub>R</sub> )			100	μA	V <sub>R</sub> = 5V
CAPACITANCE (C)		35		pF	V <sub>R</sub> = 0 V, f = 1 MHz



SUGGEST SOLDERING PAD DIMENSIONS

THIS DRAWING AND THE CONTENTS HEREIN ARE CONFIDENTIAL AND THE SOLE PROPERTY OF DIALIGHT. REPRODUCTION OF THIS DRAWING OR CONSTRUCTION OF ANY PARTS WITHIN THIS DRAWING ARE FORBIDDEN WITHOUT THE WRITTEN CONSENT OF DIALIGHT.		
SCALE: DRAWING SCALE	DRAWING NUMBER	REV
ALL DIM'S IN: INCHES (MM)	C-16509	C
TOLERANCES: UNLESS OTHERWISE SPECIFIED	TITLE GREEN SMT LED	
FRACTIONS: ±1/64	MATERIAL	
DECIMALS (.XX): ±.01	Dialight	
DECIMALS (.XXX): ±.005	1501 ROUTE 34 SOUTH	
DECIMALS (.XXXX): ±.0005	FARMINGDALE, NJ 07727	
ANGLES: ±1°	FSCM 83330	
FINISH:	SHEET 1 OF 1 FAMILY TABLE:	