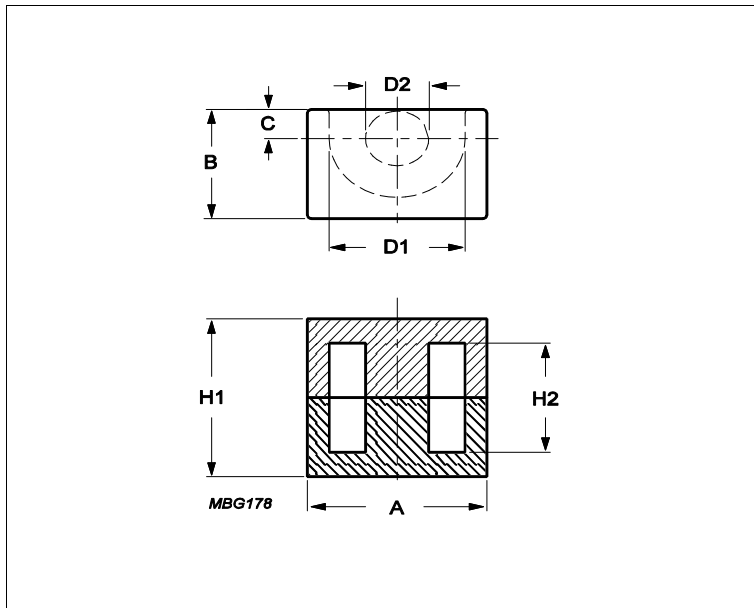


Core **EP17**



Effective parameters			
	Parameter	Value	Unit
$\Sigma(I/A)$	core factor (C1)	0.87	mm ⁻¹
Ve	effective volume	999	mm ³
Le	effective length	29.5	mm
Ae	effective area	33.7	mm ²
Amin	minimum area	25.5	mm ²
m	EP17	≈ 12	g/set

Dimensions for product: EP17						
	Nom	Tol +	Tol -	Max	Min	Unit
A	18.00	0.40	0.40	18.40	17.60	mm
B	11.00	0.25	0.25	11.25	10.75	mm
C	3.30	0.20	0.20	3.50	3.10	mm
D1	12.00	0.40	0.40	12.40	11.60	mm
D2	5.70	0.18	0.18	5.88	5.52	mm
H1	16.80	0.20	0.20	17.00	16.60	mm
H2	11.40	0.30	0.30	11.70	11.10	mm

Inductance factor					
Material	Value	Tol +	Tol -	Unit	
3C91	2670	25%	25%	nH/turns ²	
3C96	2200	25%	25%	nH/turns ²	
3F36	1500	25%	25%	nH/turns ²	
3F46	950	25%	25%	nH/turns ²	

Power loss: 3C91					
Measuring conditions			Max	Unit	
100 kHz	200 mT	60 °C	0.500	W/set	
Power loss: 3C96					
Measuring conditions			Max	Unit	
100 kHz	200 mT	100 °C	0.450	W/set	
400 kHz	50 mT	100 °C	0.180	W/set	
Power loss: 3F36					
Measuring conditions			Max	Unit	

Core **EP17**

Power loss: 3F36

Measuring conditions			Max	Unit
500 kHz	50 mT	100 °C	0.150	W/set
500 kHz	100 mT	100 °C	1.100	W/set

Power loss: 3F46

Measuring conditions			Max	Unit
1000 kHz	50 mT	100 °C	0.400	W/set
3000 kHz	10 mT	100 °C	0.150	W/set

Bsat

Measuring conditions			Material	Min	Unit
25 kHz	250 A/m	100 °C	3C91	320	mT
25 kHz	250 A/m	100 °C	3C96	340	mT
25 kHz	250 A/m	100 °C	3F36	340	mT
25 kHz	250 A/m	100 °C	3F46	330	mT

Accessories

Ordering name	Description	Ordering code
CLA-EP17	Clasp	432202101441
CSH-EP17-1S-8P	Coil former, termoset, horizontal	432202100481
CSH-EP17-2S-8P	Coil former, termoset, horizontal	432202100491
SPR-EP17	Spring	432202101431