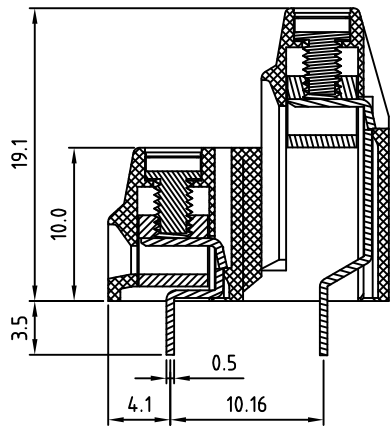
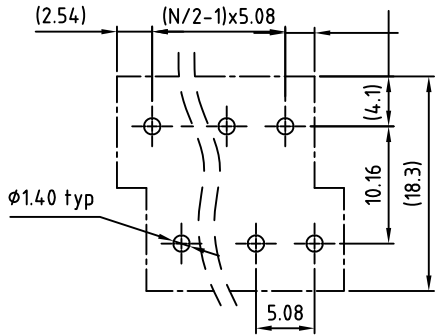


N=Number of poles

**P.C.B. LAYOUT**



SIGN	DATE	DESCRIPTION	APPROVER
△	2009.01.21	CUL approval added	Lee
<i>THIS IS CAD DRAWING, DO NOT REVISE MANUALLY!!!</i>			

**Technical Data:**

**Material:**

- Contact(metal housing): Brass (CuZn)
- Terminal screw: Steel zine plating "-"slot type
- Surface of soldertail: Brass with Tin plating
- Insulator (housing): Thermoplastic(UL94V-0)

**Electrical**

- Voltage rating: 300V
- Current rating: 10A
- Torque(Lb-In): 3.5
- Screw: M2.5
- Wire range:
  - Solid Wire(AWG): 16-26
  - Stranded wire(AWG): 16-26
- Wire strip length: 6~7mm
- Withstanding Voltage:1.6kv

**Mechanical:**

- Operating temperature: -30°C to +105°C
- Soldering reliability: 250°C±10°C/5 Sec
- △ ● Safety Approval: us

RoHS Compliant

PART NUMBER:

**OSTYSXX2150**

No. of Poles	COLOR
04: 2x02 Poles	0: Black
06: 2x03 Poles	5: Green (Standard)
: :	6: Blue
48 2x24 Poles	8: Grey



THESE DRAWINGS AND SPECIFICATIONS ARE THE PROPERTY OF ON-SHORE TECHNOLOGY, INC. AND SHALL NOT BE REPRODUCED, COPIED OR USED IN ANY MANNER WITHOUT THE PRIOR WRITTEN CONSENT OF ON-SHORE TECHNOLOGY, INC.

TITLE		OSTYS-5.08 Series	
PART NO.	OSTYSXX2150	DWG NO.	OSTYSXX2150.DWG
APPROVED	CHECKED	DESIGNED	DRAWN
		Jeny 2006.01.11	Jeny 2006.01.11
SHEET: 01/01		UNIT: mm	Tolerance
		SCALE: NONE	X. ±0.50
		REV: D	X.X ±0.30
			X.XX ±0.10
			X° ±1°