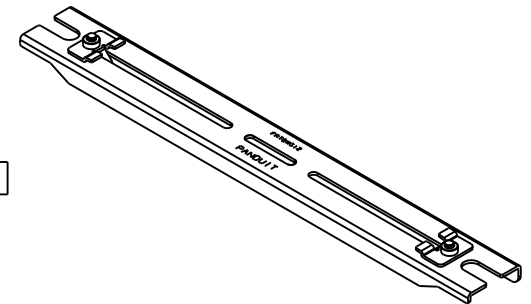
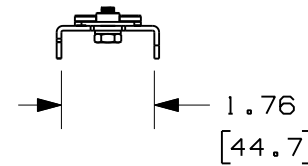
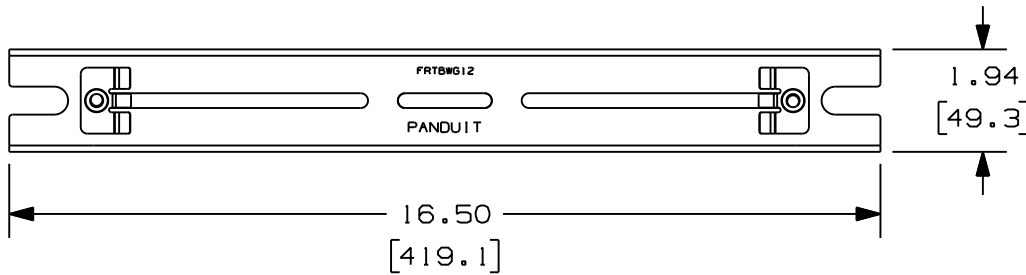


THIS COPY IS PROVIDED ON A RESTRICTED BASIS AND IS NOT TO BE USED IN ANY WAY DETRIMENTAL TO THE INTERESTS OF PANDUIT CORP.

PANDUIT PART NUMBER	WEIGHT
FRTBWG12	1.10 LBS/EACH (498.9 g/EACH)



NOTES:

- PANDUIT PART NUMBER FRTBWG12 INCLUDES:
- ONE (1) FIBERRUNNER TRAPEZE BRACKET FOR WYR-GRID 12" PATHWAY
 - TWO (2) FIBERRUNNER TRAPEZE BRACKET WYR-GRID CLIP ASSEMBLY.
 - DIMENSIONS IN PARENTHESES ARE METRIC.

CAD FILENAME/LAYERS 10D165AE_DC/01A (FRTBWG12)

PANDUIT CORP. TINLEY PARK, ILLINOIS

FIBERRUNNER TRAPEZE BRACKET FOR WYR-GRID 12" PATHWAY ASSEMBLY (FRTBWG12)
CUSTOMER DRAWING

UNLESS OTHERWISE SPECIFIED, DIMENSIONAL TOLERANCES ARE:
(.X) ± (.XXX) ±
(.XX) ± .01 (.3) ANGLES ±

UNLESS OTHERWISE SPECIFIED, ALL DIMENSIONS ARE GIVEN IN INCHES, THIRD ANGLE PROJECTION.

DRAWN BY JAHA

MAT'L:

SCALE NONE

R 8-3-10 JAHA EB RELEASED TO PRODUCTION

10D165AE-DC RN RN

DATE 8-3-10

SEE NOTES ABOVE

DRAWING NO. 10165AE-DC

DWG SIZE A

REV DATE BY CHK DESCRIPTION

ECN CHK CUST SUP

CHK'D EB