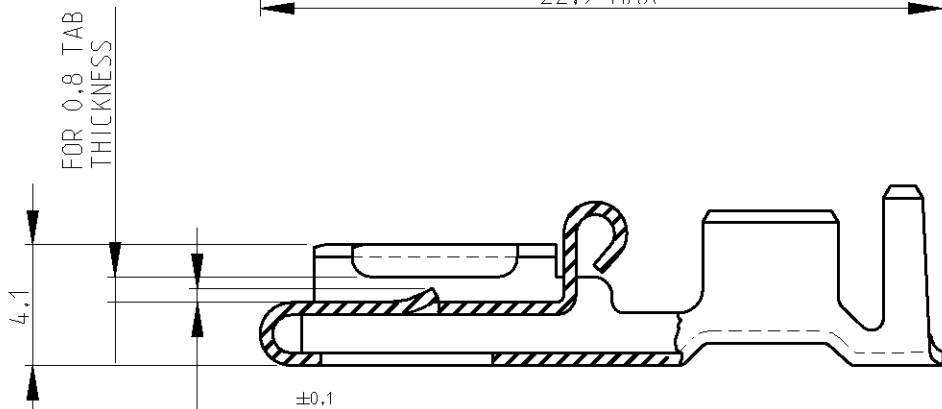
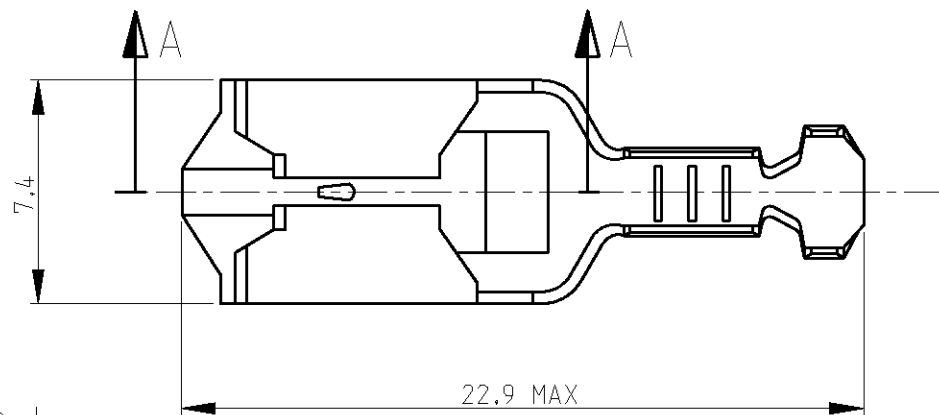


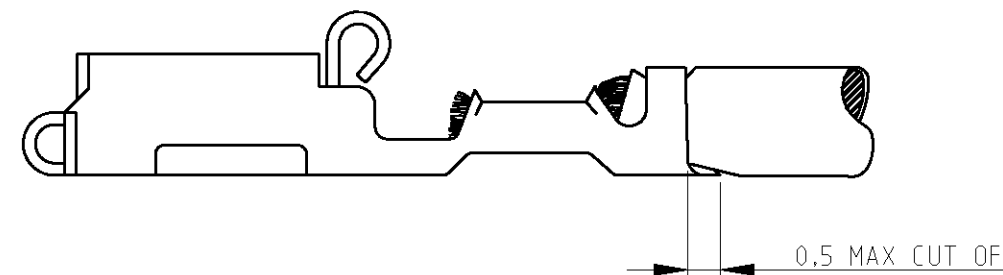
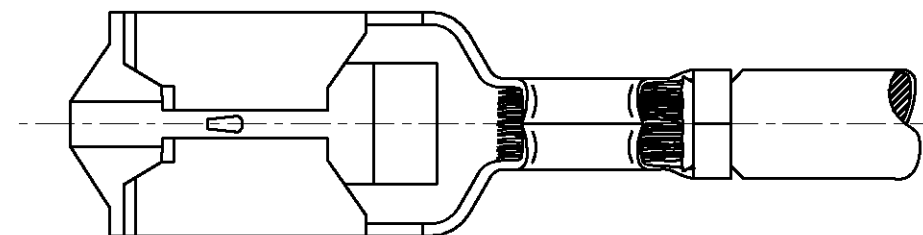
THIS DRAWING IS UNPUBLISHED. RELEASED FOR PUBLICATION

© COPYRIGHT BY ALL RIGHTS RESERVED.

LOC	DIST	REVISIONS			
P	LTR	DESCRIPTION	DATE	DWN	APVD
AL	2	F1	REVISED PER ECO-11-005139	20APR11	RK HMR



SECTION A-A



OBSELETE	STRIP NO.	FINISH	MATERIAL	PARTNUMBER
	2-160759-7	TIN-LEAD	PH.BRONZE	1-160773-1
	2-160759-1	NICKEL PLATED	PH.BRONZE	1-160773-0
	160759-8	HOT DIP PRETIN.	PH.BRONZE	0-160773-7
	160759-7	HOT DIP PRETIN.	BRASS	0-160773-6
	160759-5	PRETINNED	PH.BRONZE	0-160773-5
	160759-4	TIN PLATED	PH.BRONZE	0-160773-4
	160759-3	TIN PLATED	BRASS	0-160773-3
	160759-2	UNPLATED	PH.BRONZE	0-160773-2
	160759-1	UNPLATED	BRASS	0-160773-1

WIRE SIZE	INS. RANGE
0,5-1,5 mm ²	2,3-3,3 mm dia

DIMS: mm		TOLERANCES UNLESS OTHERWISE SPECIFIED:		DWN J.LAZARO 02APR02		STE TE Connectivity	
		0 PLC ± 1 PLC ± 2 PLC ±GENERAL 3 PLC ±TOLERANCE 4 PLC ±0.3 ANGLES ±30'		CHK J.LAZARO 02APR02			
MATERIAL see table		FINISH see table		APVD -		NAME POSITIVE LOCK RECEPTACLE MKI LOOSE PIECE	
				PRODUCT SPEC 108-3017		SIZE A3	
				APPLICATION SPEC 114-2153		CAGE CODE 00779	
				WEIGHT -		DRAWING NO C=160773	
CUSTOMER DRAWING				SCALE -		SHEET 1 OF 1	
						REV F1	