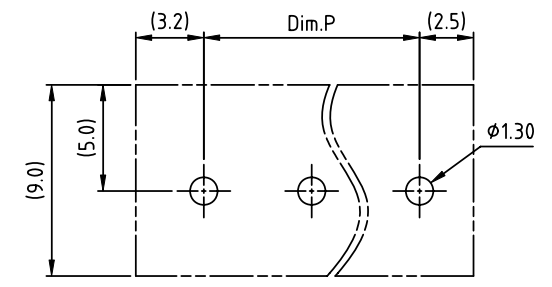
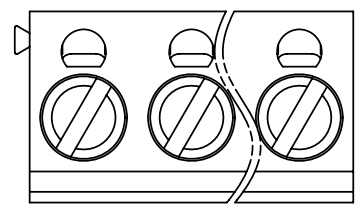
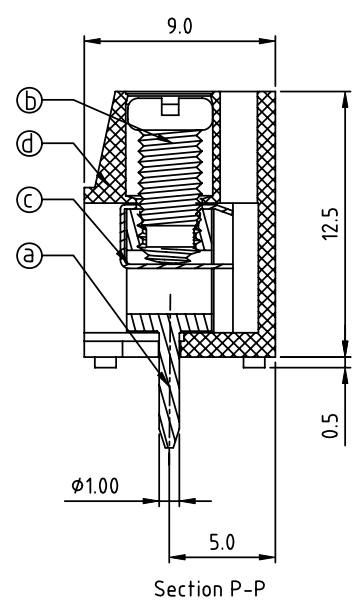
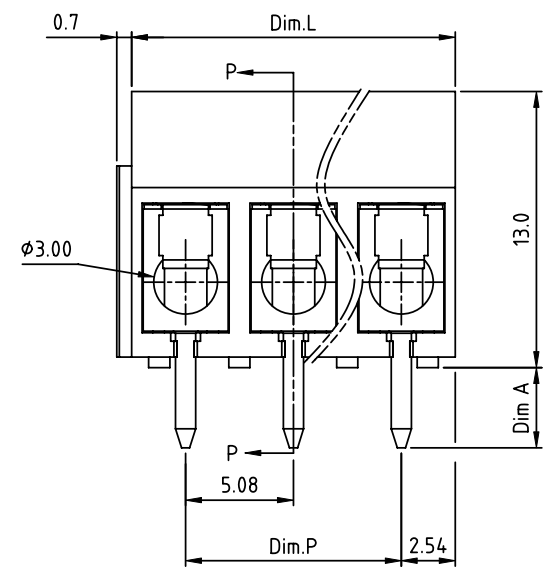


PRODUCT NUMBER	PITCH
TAxx41xx00J0G	5.08 mm



RECOMMENDED P.C.B LAYOUT
TOP VIEW



Section P-P

Material

- (a) Terminal : Brass(CuZn) Tin plated
- (b) Terminal screw: Steel Zinc plating "-" slot type
- (c) Wire guard: Stainless steel
- (d) Terminal housing: Thermoplastic (UL94V-0)

Electrical cULus

- Voltage rating: 300VAC
- Current rating: 15A
- Wire range:
- Solid wire(AWG): 14-22
- Stranded wire(AWG): 14-22
- Torque(Lb-In): 3.5
- Screw: M3
- Wire strip length: 6-7mm
- Withstanding Voltage: 1.6KV
- Operating temperature: -40°C to +115°C
- Soldering temperature: 260°C±5°C/5 Sec
- Safety Approval: cULus

N = Number of poles
Dim L=Nx5.08
Dim P=(N-1)x5.08

PART NO.: TA xx 41 x x 00J0 G

No. of poles	Color	Dim A	RoHS compliant
02 2 poles	0 Black (RAL9005)	1 3.8mm	(lead<4%)
03 3 poles	2 Red (RAL3001/D)	2 3.5mm	In copper Alloy
...	3 Orange(RAL2011/P)	3 4.0mm	
24 24 poles	4 Yellow(RAL1018/A)		
	5 Green(RAL6018/T)		
	6 Blue (RAL5015/A)		
	8 Grey(RAL7035/D)		
	9 White(RAL1102)		
	C Green(RAL6018/U)		

	Dim L	Dim P
2-6p	±0.20	±0.15
7-12p	±0.25	±0.20
13-18p	±0.30	±0.25
19-24p	±0.40	±0.30

mat'l. code		surface ASME Y14.5	tolerance ASME Y14.5	projection	product family TERMINAL BLOCK
ltr	ecn no	dr	date	tolerances unless otherwise specified	title TERMINAL BLOCK
				angles $X \pm 1^\circ$	WIRE PROTECTOR, 180D WIRE INLET
				scale	sheet 1 of 1 size A4
		dr	HANKE FENG	010714	FCI type CUSTOMER Drawing
		enr	HANKE FENG	010714	
		chr	SHI JUN	010714	
		appd	SHI JUN	010714	
sheet index	revision sheet	A	1		