

4

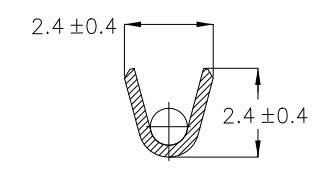
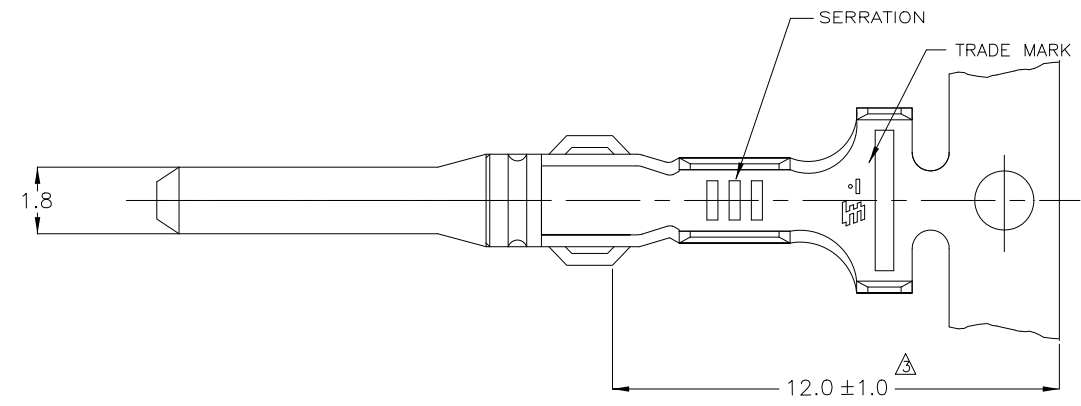
3

2

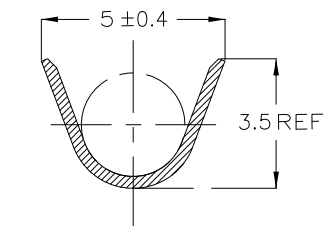
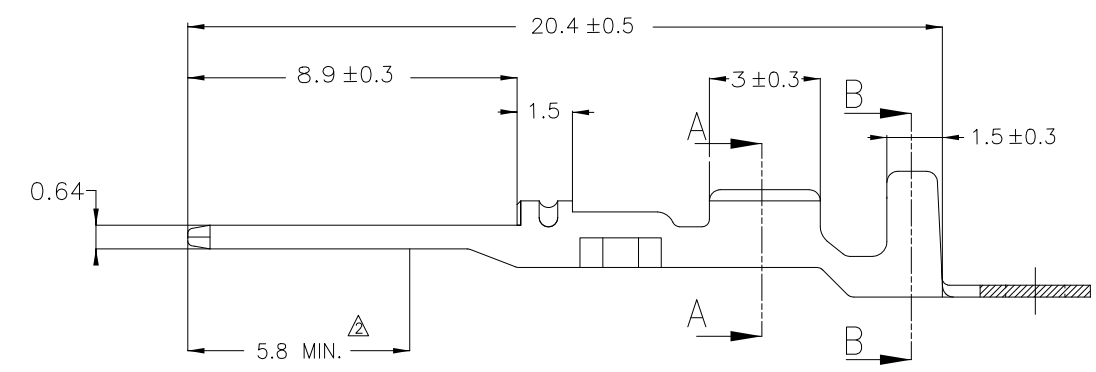
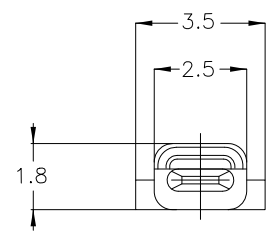
1

THIS DRAWING IS UNPUBLISHED. RELEASED FOR PUBLICATION
 © COPYRIGHT BY TYCO ELECTRONICS CORPORATION. ALL RIGHTS RESERVED.

LOC	DIST	REVISIONS			
P	LTR	DESCRIPTION	DATE	DWN	APVD
DS	-				
	A	RELEASED	4.DEC.'07	BS	JK
	A1	REVISED (ECR-09-004750)	2.MAR.'09	YM	HG



A-A



B-B

NOTE
 1 RECEPTACLE CONTACT : 171630
 △ SELECTIVE GOLD PLATING
 ⊕ SELECTIVE TIN PLATING

SELECTIVE GOLD & TIN △△	BRASS 0.32	1897641-4
PRE-TIN (0.76 um MIN)		1897641-1
FINISH	MATERIAL	PART NO

WIRE RANGE PTFE 0.5~0.75MM ² (AWG #20)	INSULATION DIA 1.4 ~ 1.9
---	-----------------------------

<small>THIS DRAWING IS A CONTROLLED DOCUMENT FOR TYCO ELECTRONICS CORPORATION IT IS SUBJECT TO CHANGE AND THE CONTROLLING ENGINEERING ORGANIZATION SHOULD BE CONTACTED FOR THE LATEST REVISION.</small>		DWN YM LEE	AMP KOREA. kyungsan, korea
DIMENSIONS: MM		CHK YM CHOI	
		APVD HG CHO	NAME ECONOSEAL J-MARKII+ CONNECTOR TAB CONTACT
TOLERANCES UNLESS OTHERWISE SPECIFIED: 0 <XX< 10 : ± 0.2 10 ≤XX< 30 : ± 0.25 30 ≤XX< 100 : ± 0.3 ANGLES : ± 3°		PRODUCT SPEC Ⓐ 108-61110	
MATERIAL SEE TABLE		APPLICATION SPEC 114-61018	SIZE A3
FINISH SEE TABLE		WEIGHT 0.35 g	CAGE CODE 00779
		CUSTOMER DRAWING	DRAWING NO Ⓒ 1897641
			RESTRICTED TO -
			SCALE 5/1 SHEET 1 OF 1 REV A1