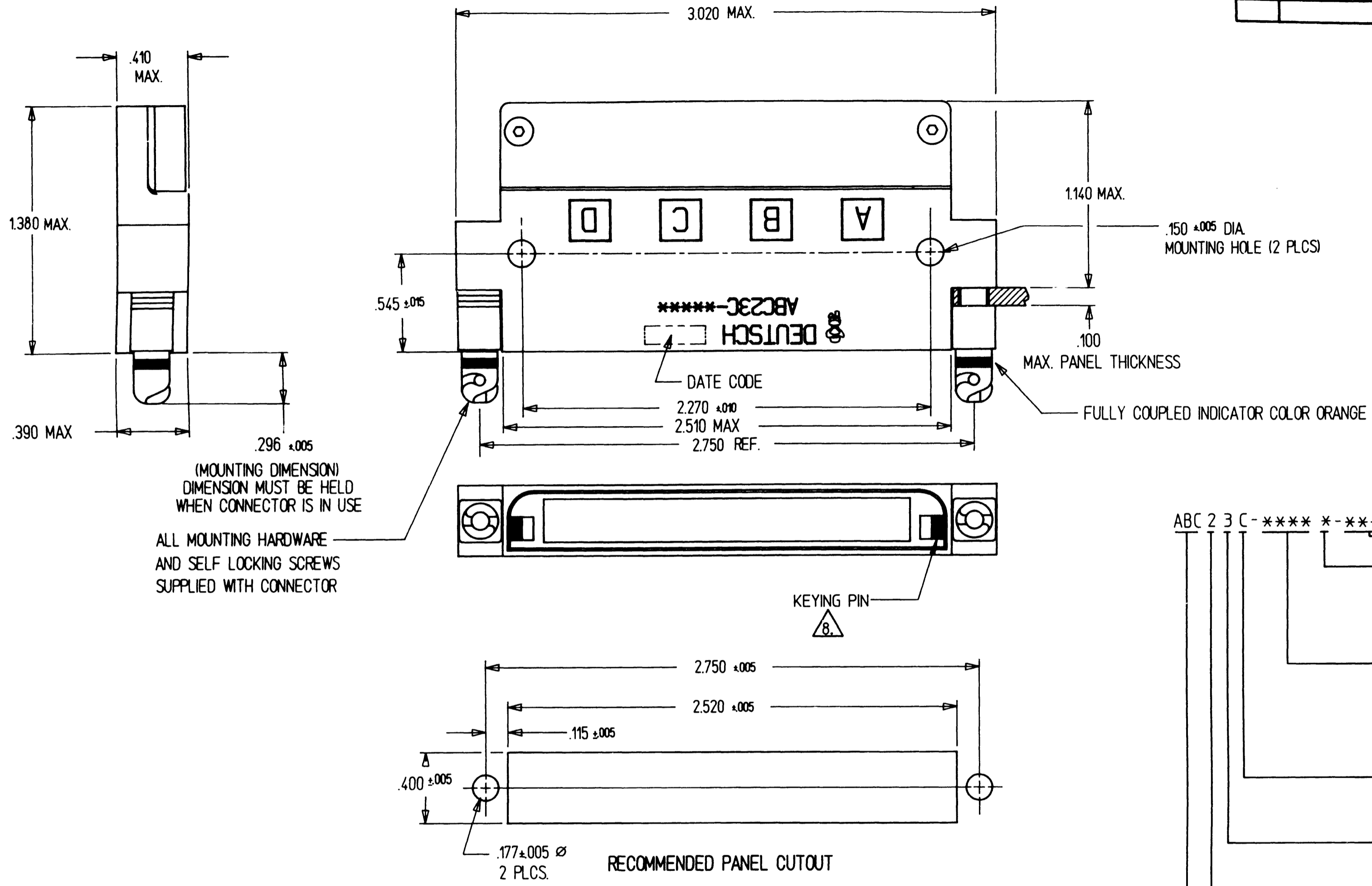


A ABC23C-*****

REV	DESCRIPTION	DATE	APPROVED
N/C	NEW RELEASE PER E.O.A 9887	6/16/89	L.L.A.
A	REVISED PER E.O. A 10205	11-5-92	P



ABC 2 3 C - * * * * * - * * * * * MODIFICATION

KEYING POSITIONS A THRU Y SEE ENVELOPE DWG. 55500

MODULE ARRANGEMENTS SEE ENVELOPE DWG. 55500

0000 = 2 INCH SHELL W/ NO MODULES

STYLE C = DYNAMIC QUARTER LOCK

TYPES 3 = RECEPT. FLANGE MOUNT

SHELL SIZE 2=2 INCH

BASIC IDENTIFIER

8. WHEN NO LETTER IS CALLED OUT KEYING PINS ARE SHIPPED LOOSE AND INSTALLED BY THE CUSTOMER. EXAMPLE P/N: ABC23C-0000. IF LETTER A-Y IS CALLED OUT FACTORY INSTALLS KEYING PINS. EXAMPLE P/N: ABC23C-0000A.

- FOR INSERT ARRANGEMENTS AND KEYING POSITIONS SEE ENVELOPE DRAWING 55500.
- SEE DEUTSCH ENVELOPE DRAWINGS FOR CRIMP TOOL AND POSITIONER AND SOCKET CONTACTS 12336-*** AND PIN CONTACTS 12331-***.
- MATES WITH ABC PLUG CONNECTOR.
- FINISH: SHELL DEUTSCH SPECIAL METALIZED SURFACE.
- MATERIAL: SHELL COMPOSITE MATERIAL. METAL COMPONENTS STAINLESS STEEL.
- FOR AVAILABILITY CONSULT FACTORY.
- DIMENSIONS ARE IN INCHES UNLESS OTHERWISE SPECIFIED.

NOTE:

SIGNATURE & DATE	
DR	TIM HOLT 5/3/89
CHK	L.L.A. 6/16/89
PE	TIM HOLT 5/3/89
APPD	
SCALE	NONE WT

RECEPTACLE
2 INCH
STACK MOUNTING
DYNAMIC QUARTER LOCK COUPLING
ABC CONNECTOR
ENVELOPE

CP	MATL CODE
DEUTSCH ENGINEERED CONNECTING DEVICES Municipal Airport Banning, California	
C	ABC23C-*****
DWG SIZE	CODE 11199 SHEET 1 OF 1