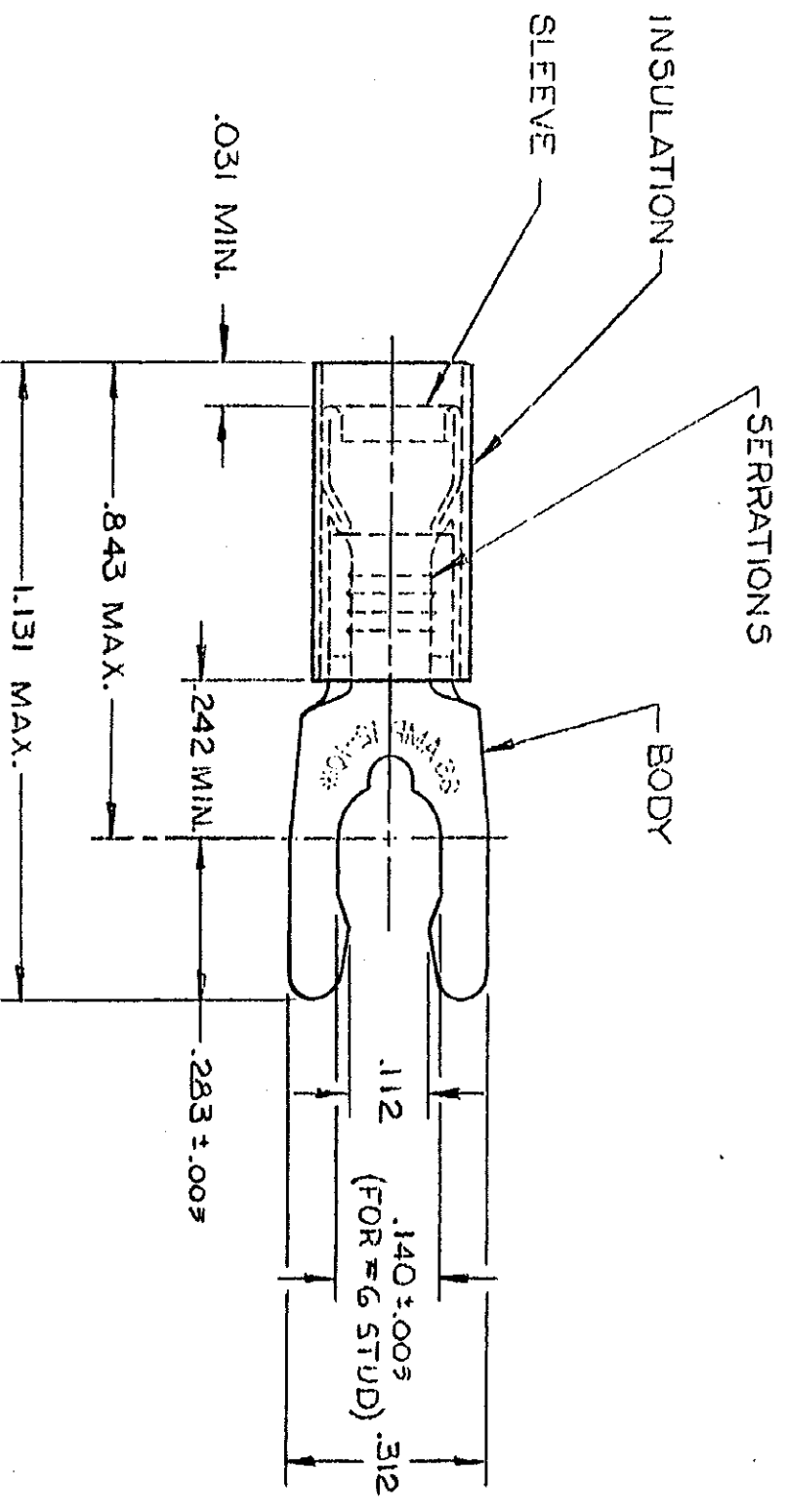


THIS DRAWING IS UNPUBLISHED. RELEASED FOR PUBLICATION 19
 © COPYRIGHT 19 BY AMP INCORPORATED, HARRISBURG, PA. ALL INTERNATIONAL RIGHTS RESERVED. AMP PRODUCTS MAY BE COVERED BY U.S. AND FOREIGN PATENTS AND/OR PATENTS PENDING.



- 1 WIRE INSULATION DIA. = SEE TABLE, DIM. "A"
- 2 TONGUE MATERIAL THK. = .040 ±.002
- 3 BODY FINISH: TIN PLATE (MIL-T-10727) .000100 MIN THK

REVISIONS		DATE	APPROVED
P	F ZONE	LTR	DESCRIPTION
✓		D	REDRAWN-REVISED PER G-1477.
✓		E	G-1175, P85-0087 & P85-C0891G-1928
✓		F	OBSOLETE -4 PER G-2393
✓		G	REVISED G-3044
✓		H	OBS -5 PER G-3358
✓			REV PER G-5648

OBsolete

CONTRACT NO	QUANTITY	DESCRIPTION	PART NO
DR UTA / RFB 9-26-85	500	ON TAPE, 16 BOX	52430-2
CHK <i>Handwritten signature</i> 12-19-86	500	ON TAPE, 2500	52430-3
APPD <i>Handwritten signature</i> 2-19-86	2500	ON TAPE, REEL	52430-2
DSGN APPD	---	LOOSE PIECE	52430-1
OTHER APPD	---	LOOSE PIECE	52430

AMP | AMP INCORPORATED
 Harrisburg, Pa.

TERMINAL SPADE
 P.I.D.G., SPRING
 WIRE SIZE: 12-10

NAME
 SIZE B
 FSCM NO 00779
 DRAWING NO 52430
 SCALE NTS
 SHEET 1 OF 1