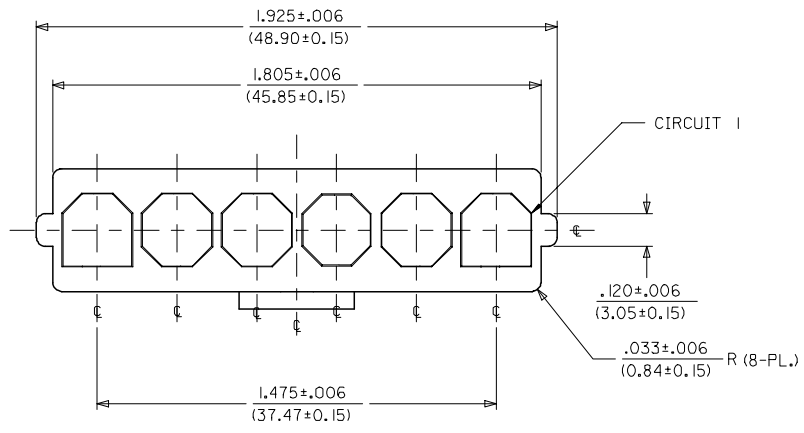


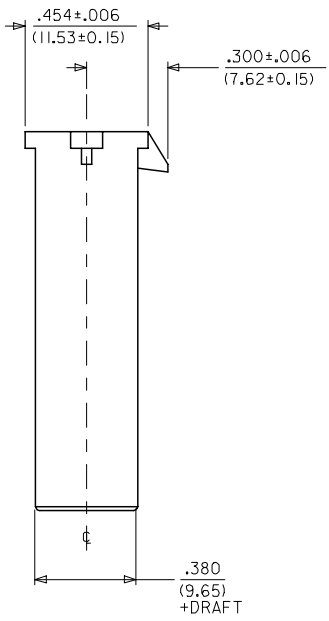
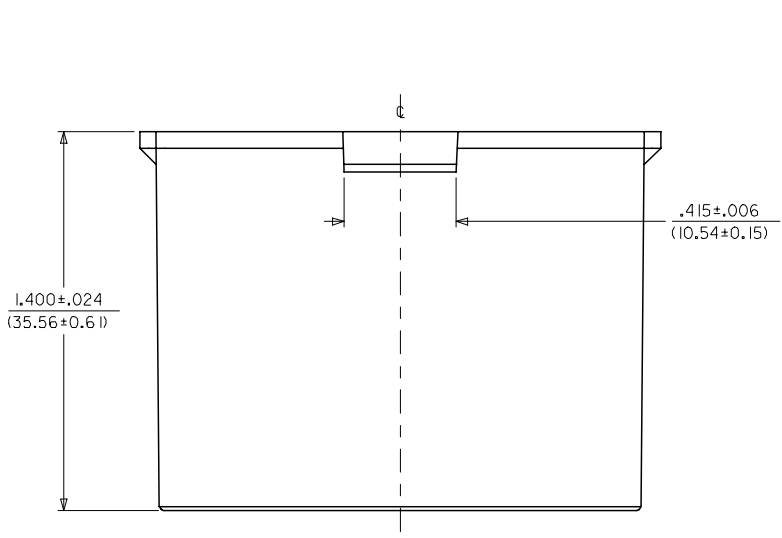
13 12 11 10 9 8 7 6 5 4 3 2 1

J
I
H
G
F
E
D
C
B
A

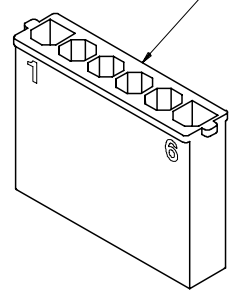


ITEM NUMBER	MATERIAL	COLOR
43680-2006	UL94V-0 NYLON	BLACK
43680-1006	UL94V-2 NYLON	NATURAL (TRANSLUCENT)

- NOTE:
1. MATERIAL: SEE CHART.
 2. FINISH: NONE.
 3. PRODUCT SPECIFICATION: PSX-44441-9999.
 4. PACKAGING: PK-43680-001.
 5. THIS CONNECTOR HOUSING FOR USE WITH 43178-**** TERMINALS.
 6. THIS CONNECTOR HOUSING WILL MATE TO 43335-***6, 43179-***6 AND 44441-***6 HOUSINGS.
 7. PARTS CONFORM TO CLASS B REQUIREMENTS OF COSMETIC SPEC PS-45499-002.



LOCKING NUB IS LOCATED HERE



43680-*006
(NO SCALE)

ADD NOTES 2 & 7 EC NO: UCP2008-0911 DRAWN/PRD/DR 2007/11/15 CHKD:LSH/MT 2007/11/16 APPR:FSM/TH 2007/11/16 REV DESCRIPTION	QUALITY SYMBOLS	GENERAL TOLERANCES (UNLESS SPECIFIED)	DIMENSION STYLE	SCALE	DESIGN UNITS	THIRD ANGLE PROJECTION
	▽=0 ▽=0	mm INCH 4 PLACES ± --- ± --- 3 PLACES ± --- ±.010 2 PLACES ± 0.25 ±.014 1 PLACE ± 0.35 ± --- ANGULAR ±1/2°	IN/MM DRAWN BY DATE CM 03/22/96 CHECKED BY DATE KBP 03/22/96 APPROVED BY DATE RAS 03/22/96	4:1	INCH	□ THIRD ANGLE PROJECTION
	DRAFT WHERE APPLICABLE MUST REMAIN WITHIN DIMENSIONS	SEE CHART	MATERIAL NO. SIZE C	TITLE 6-CIR. PLUG HOUSING .125/(3.18)X.020/(0.51) SABRE - TPA	MOLEX INCORPORATED	SHEET NO. 1 OF 1

12 11 10 9 8 7 6 5 4 3 2 1