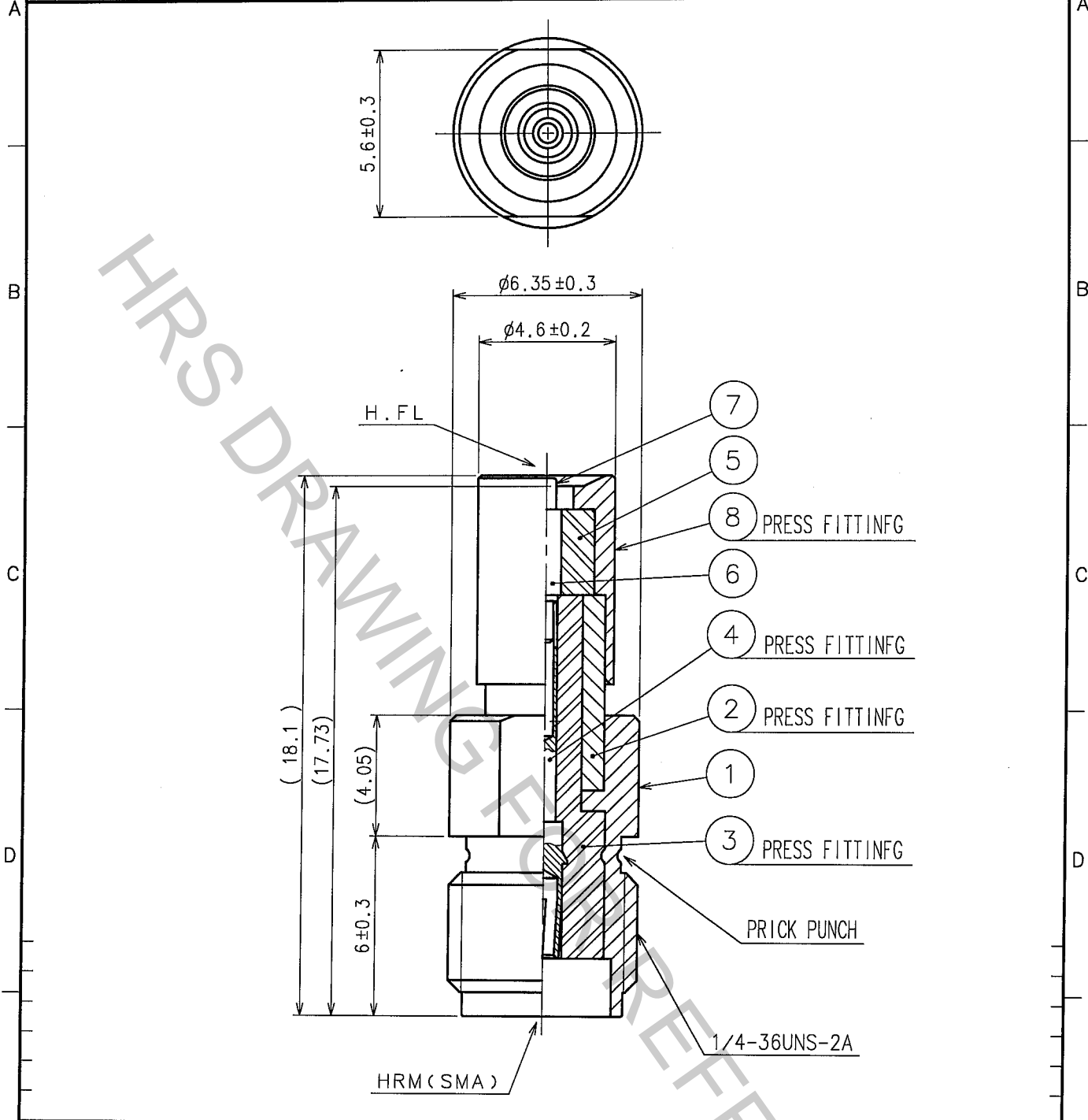


1		2			3			4		
COUNT	DESCRIPTION OF REVISIONS	BY	CHKD	DATE	COUNT	DESCRIPTION OF REVISIONS	BY	CHKD	DATE	
△				..	△				..	
△					△				..	
△					△				..	



4	BERYLLIUM COPPRE	GOLD PLATING	8	STAINLESS STEEL	GOLD PLATING
3	PTFE		7	BRASS	GOLD PLATING(FREE CONTACT)
2	BRASS	NICKEL PLATING	6	BRASS	SILVER PLATING
1	BRASS	NICKEL PLATING	5	PTFE	
NO.	MATERIAL	FINISH, REMARKS	NO.	MATERIAL	FINISH, REMARKS

CODE NO. (OLD)		DRAWN	DESIGNED	CHECKED	APPROVED	RELEASED
		R. KIMURA	R. KIMURA	M. Yamane	J. Mitachi	
		05.08.11	05.08.11	05.08.23	05.08.26	
DRAWING NO. EDC4-300189-40			PART NO. HRMJ-H.FLP-5(40)			
SACLE 5 : 1			CODE NO. CL311-0365-8-40			
UNITS mm						
<b>HRS</b> HIROSE ELECTRIC CO., LTD.						

TO
RF