

PLEASE CHECK WWW.MOLEX.COM FOR LATEST PART INFORMATION

Part Number: [19078-0131](#)
Status: **Active**
Description: MagKrimp™ Tooling Kit - Round Dies for 10,380-52,480 CMA

Documents:

[RoHS Certificate of Compliance \(PDF\)](#)

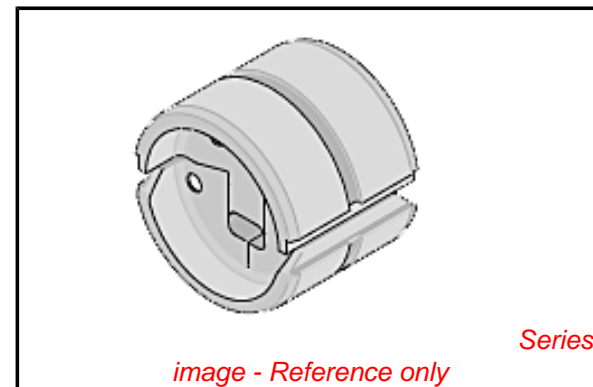
General

Product Family	Application Tooling
Series	T1722
Function	Crimp
Geographic Area	Global
Level of Automation	Manual
More Detailed Tech Information	applicationtooling@molex.com
Product Name	N/A
Survey	www.molex.com//review/apptool_survey.html
Tool Type	N/A
UPC	800755074321

Material Info

Reference - Drawing Numbers

Application Tooling Documents	ATS-190780131
-------------------------------	---------------



EU RoHS	China RoHS
----------------	-------------------

Compliance Status

Not Reviewed

REACH SVHC

Not Reviewed

Low-Halogen Status

Not Reviewed

Need more information on product environmental compliance?

Email productcompliance@molex.com
 For a multiple part number RoHS Certificate of Compliance, [click here](#)

Please visit the [Contact Us](#) section for any non-product compliance questions.

Search Parts in this Series

[T1722Series](#)

Use With

[190780129](#) , [190780122](#)

Application Tooling	FAQ
Description	Product #

MagKrimp™ Piercing Splice 10,380 - 52,480 Circular Mil Area, Plated	0191951004
MagKrimp™ Round Ring Tongue Terminal for 12 AWG Magnet Wire, 10,380-52.480 Circular Mil Area, Stud Size 1/4" (M6), Plated	0191951007
MagKrimp™ Round Ring Tongue Terminal for 12 AWG Magnet Wire, 10,380-52,480	0191951021

Circular Mil Area,
Stud Size 3/8" (M9),
Plated
MagKrimp™ Round 0191951037
Ring Tongue
Terminal for 12
AWG Magnet Wire,
10,380-52,480
Circular Mil Area,
Stud Size 1/2" (M12),
Plated
MagKrimp™ Round 0191951035
Ring Tongue
Terminal for 12
AWG Magnet Wire,
10,380-52,480
Circular Mil Area,
Stud Size 5/16" (M8),
Plated

This document was generated on 03/08/2013

PLEASE CHECK WWW.MOLEX.COM FOR LATEST PART INFORMATION