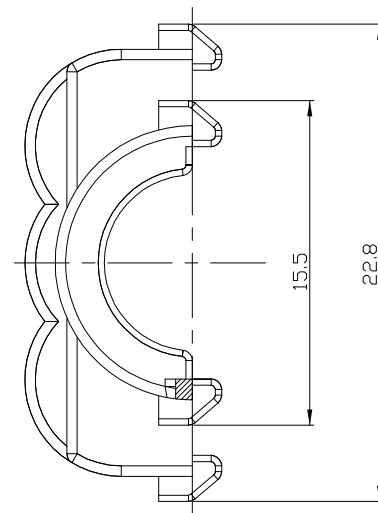
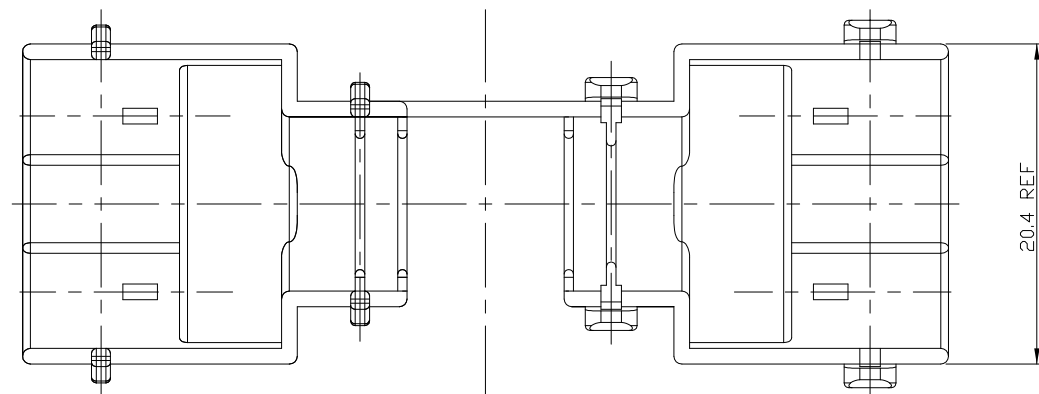
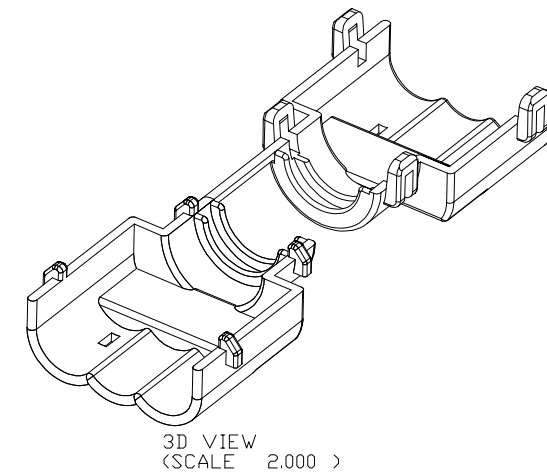


THIS DRAWING IS UNPUBLISHED. RELEASED FOR PUBLICATION 20
 © COPYRIGHT 20 BY - ALL RIGHTS RESERVED.

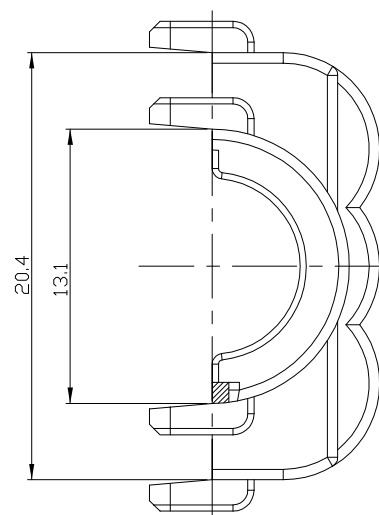
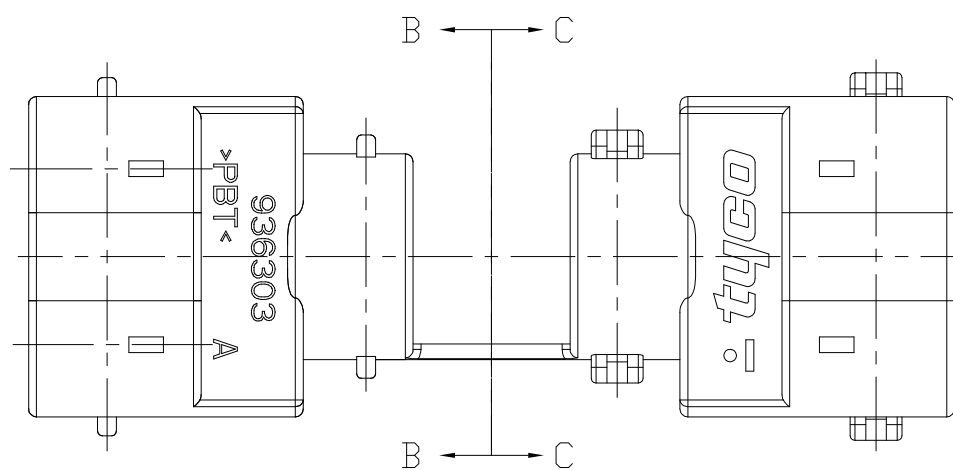
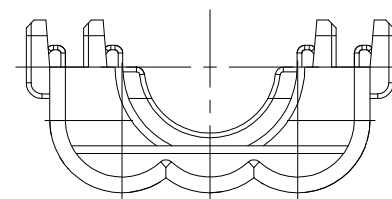
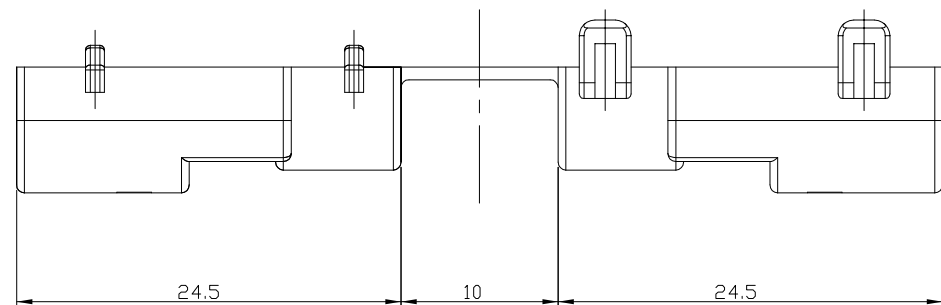
REVISIONS					
P	LTR	DESCRIPTION	DATE	DWN	APVD
	□	RELEASED	02NOV'2005	YH	JK
	A	REVISED(ECR-16-004034)	21MAR'16	JY	KT



SECTION B-B
SCALE 4.000



3D VIEW
(SCALE 2.000)



SECTION C-C
SCALE 4.000

NOTES:

1. GENERAL TOLERANCE : ±0.3, ±3°
2. APPLICABLE CORRUGATE TUBE : Ø7.0mm
3. APPLICABLE MATING CONN'R : 936254
4. APPLICATION TEST SPEC : MS210-06-C(EXCEPT 4.4)

BLACK	PBT	COVER HSG	0-936303-2
COLOR	MATERIAL	DESCRIPTION	PART NO.

THIS DRAWING IS A CONTROLLED DOCUMENT.		DWN JY BAE			
		CHK YH MA			
DIMENSIONS: mm 		APVD KT LIM	NAME COVER HSG FOR MCP-E SEALED 6P PLUG CONN'R		
TOLERANCES UNLESS OTHERWISE SPECIFIED: 0 PLC ± 1 PLC ± 2 PLC ± 3 PLC ± 4 PLC ± ANGLES ± FINISH -		PRODUCT SPEC -	RESTRICTED TO		
MATERIAL -		APPLICATION SPEC -	SIZE A200779	DRAWING NO C=936303	
		WEIGHT -	SCALE 3/1	SHEET 1 OF 1 REV A	
		CUSTOMER DRAWING			