

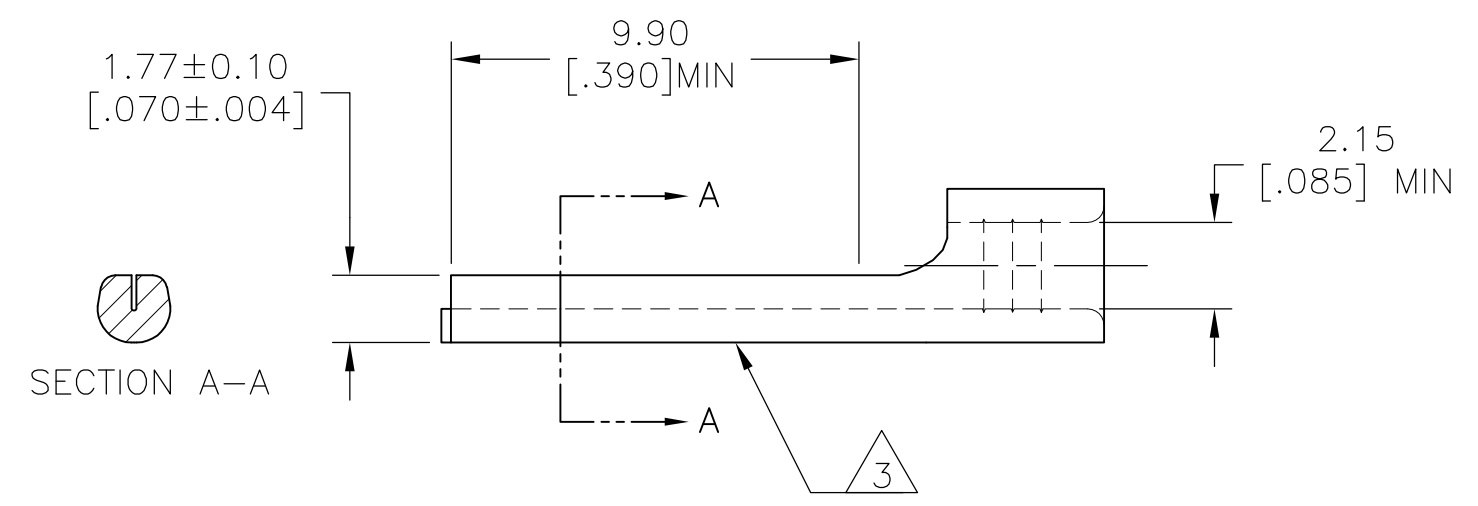
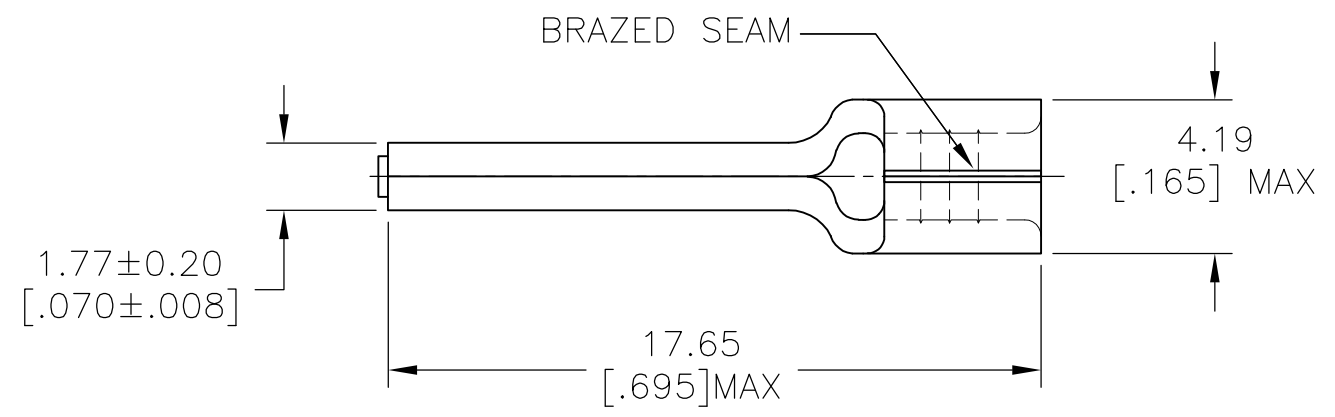
THIS DRAWING IS UNPUBLISHED. RELEASED FOR PUBLICATION
 © COPYRIGHT - By - ALL RIGHTS RESERVED.

LOC	DIST	REVISIONS					
		P	LTR	DESCRIPTION	DATE	DWN	APVD
G	14		C1	REVISED PER ECO-14-003208	14MAR2014	NK	DR

AMP
WIRE RANGE

16-14 AWG
SOLID OR STRANDED

- 1 COPPER PER ASTM B-152, ANNEALED.
- 2 0.00762[.000300] MIN NICKEL PLATE PER ASTM PER QQ-N-290.
- 3 STAMP AMP 16-14* APPROX AS SHOWN.



1000	LOOSE PIECE	696736-1
QTY	PACKAGE TYPE	PART NO

AMP INCORPORATED
CUSTOMER SERVICE SYSTEMS

FOR ADDITIONAL PRODUCT INFORMATION OR COPIES OF DRAWINGS AND TECHNICAL DOCUMENTS
 PRODUCT INFORMATION CENTER
 1-800-522-6752

FOR APPLICATION TOOLING INFORMATION
 TOOLING ASSISTANCE CENTER
 1-800-722-1111

FOR ORDER ENTRY
 1-800-526-5142

MAX RECOMMENDED OPERATING TEMPERATURE:
 343°C[650°F] MAX

VOLTAGE RATING:
 N/A

CIRCULAR MIL AREA:
 1.04-2.62mm²[2,050-5,180]
 SOLID OR STRANDED

THIS DRAWING IS A CONTROLLED DOCUMENT.

DIMENSIONS: mm [INCHES]

TOLERANCES UNLESS OTHERWISE SPECIFIED:

0 PLC	± -
1 PLC	± -
2 PLC	± -
3 PLC	± 0.12[.005]
4 PLC	± -
ANGLES	± -

MATERIAL 1 FINISH 2

DWN jr_ruth 20OCT04
 CHK MJ_SPICER 20OCT04
 APVD MJ_SPICER 20OCT04
 PRODUCT SPEC
 APPLICATION SPEC
 WEIGHT -

STE TE Connectivity

NAME WIRE PIN, (LONG) STRATO-THERM

SIZE A3 CAGE CODE 00779 DRAWING NO C-696736 RESTRICTED TO -

CUSTOMER DRAWING SCALE 5:1 SHEET 1 OF 1 REV C1