

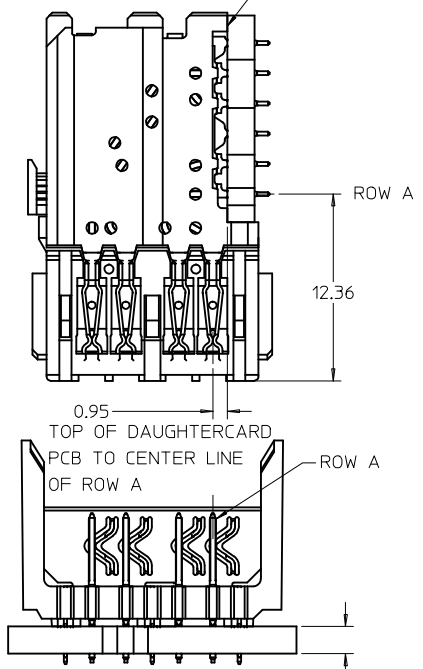
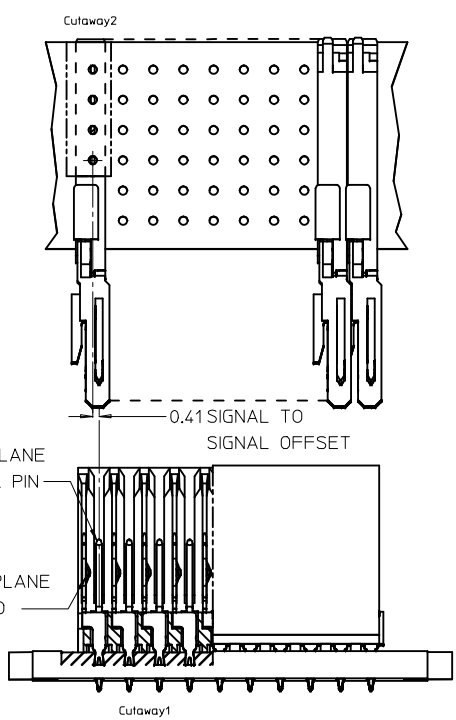
SECTION A-A
ROTATED 180°

- NOTES:
1. MATERIAL: HOUSING - LIQUID CRYSTAL POLYMER (LCP) GLASS-FILLED. UL 94V-0. COLOR - BLACK. SIGNAL AND SHIELD - HIGH PERFORMANCE COPPER ALLOY.
 2. FINISHES:
CONTACT AREA: SELECTIVE GOLD (Au)
PCB TAILS: SELECTIVE TIN/LEAD (Sn/Pb) OR SELECTIVE MATTE TIN (Sn) NICKEL (Ni) OVERALL.
 3. THIS PART CONFORMS TO MOLEX PRODUCT SPECIFICATION PS-74031-999.
 4. FOR MIXED CONTACT MATING LENGTHS CONSULT MOLEX FOR AVAILABILITY.
 5. FOR SPECIFIC PART NUMBER AND MATING INFORMATION REFER TO SHEET 2.
 6. PACKAGE PER PK-74057-003 FOR 10 & 25 COLUMN. PACKAGE PER PK-70873-0934 FOR THE 9 COLUMN CONNECTOR.
 7. EITHER MARK PART NUMBER AND DATE CODE APPROXIMATELY WHERE SHOWN OR PLACE LABEL ON TUBE.
 8. MAPS (MOLEX ADVANCED PLATING SYSTEM).

THE PRIMARY CARTON WITH A LABEL STATING "ELV AND RoHS COMPLIANT" IS LEAD FREE. CARTONS WITHOUT THIS LABEL MAY CONTAIN LEAD.

CORRECT PART NUMBERS EC NO: UCP2017-1186 DRAWN: MORGAN 2016/11/22 CHKD: APPR: TELO 2016/11/29	DESCRIPTION REV	QUALITY SYMBOLS ▽=0 ▽=0 ▽=0	GENERAL TOLERANCES (UNLESS SPECIFIED)		DIMENSION STYLE MM ONLY		SCALE 4:1	DESIGN UNITS METRIC	THIRD ANGLE PROJECTION	
			mm	INCH	DRAWN BY NMARTIN	DATE 2002/05/03	TITLE HSD 6 ROW OPEN END BACKPLANE SALES DRAWING		DOCUMENT NO. SD-74979-010	SHEET NO. 1 OF 2
			4 PLACES ± ---	± ---	CHECKED BY SREED	DATE 2002/05/03	molex			
			3 PLACES ± ---	± ---	APPROVED BY CBIXLER	DATE 2002/05/03				
2 PLACES ± 0.25	± ---	MATERIAL NO. SEE TABLE								
1 PLACE ± 0.38	± ---	ANGULAR ± ---°		SIZE C		THIS DRAWING CONTAINS INFORMATION THAT IS PROPRIETARY TO MOLEX INCORPORATED AND SHOULD NOT BE USED WITHOUT WRITTEN PERMISSION				
0 PLACE ±	±	DRAFT WHERE APPLICABLE MUST REMAIN WITHIN DIMENSIONS								

DAUGHTERCARD CONNECTOR SIDE



MATERIAL NUMBER ASSIGNMENT

74979-** **

- PIN LENGTH DIM 'M' / PLATING
- 1 & 6 = 4.75
- 2 & 7 = 6.25
- 3 & 8 = 4.25
- 4 & 9 = 5.15
- / 1 - 4 (10 OR 30 GOLD)
- / 6 - 9 (50 GOLD)
- MODULE ORIENTATION OPEN = 0

- NUMBER OF COLUMNS/PLATING
- 10 = 10 COLUMN TIN (FORMERLY TIN LEAD)
- 25 = 25 COLUMN TIN (FORMERLY TIN LEAD)
- 09 = 9 COLUMN TIN (FORMERLY TIN LEAD)
- 90 = 10 COLUMN MATTE TIN
- 85 = 25 COLUMN MATTE TIN
- 99 = 9 COLUMN MATTE TIN
- 60 = 10 COLUMN MATTE TIN (MAPS)
- 70 = 25 COLUMN MATTE TIN (MAPS)
- 69 = 9 COLUMN MATTE TIN (MAPS)

PART NUMBER	COLUMN	NUMBER OF SIGNAL PIN	NUMBER OF SHIELD	A	B	M	GOLD THICKNESS MICROMETER	TIN THICKNESS MICROMETER
74979-6901	9	36	9	18.00	16.00		0.25 MAPS	0.76-152
74979-0901							0.76	
74979-0906							1.27	
74979-9901							0.76	
74979-9906							1.27	
74979-6001	10	40	10	20.00	18.00	4.75	0.25 MAPS	
74979-1001							0.76	
74979-1006							1.27	
74979-9001							0.76	
74979-9006							1.27	
74979-7001	25	100	10	50.00	48.00		0.25 MAPS	
74979-2501							0.76	
74979-2506							1.27	
74979-8501							0.76	
74979-8506							1.27	
74979-6902	9	36	9	18.00	16.00		0.25 MAPS	
74979-0902							0.76	
74979-0907							1.27	
74979-9902							0.76	
74979-9907							1.27	
74979-6002	10	40	10	20.00	18.00	6.25	0.25 MAPS	
74979-1002							0.76	
74979-1007							1.27	
74979-9002							0.76	
74979-9007							1.27	
74979-7002	25	100	10	50.00	48.00		0.25 MAPS	
74979-2502							0.76	
74979-2507							1.27	
74979-8502							0.76	
74979-8507							1.27	
74979-6903	9	36	9	18.00	16.00		0.25 MAPS	
74979-0903							0.76	
74979-0908							1.27	
74979-9903							0.76	
74979-9908							1.27	
74979-6003	10	40	10	20.00	18.00	4.25	0.25 MAPS	
74979-1003							0.76	
74979-1008							1.27	
74979-9003							0.76	
74979-9008							1.27	
74979-7003	25	100	10	50.00	48.00		0.25 MAPS	
74979-2503							0.76	
74979-2508							1.27	
74979-8503							0.76	
74979-8508							1.27	
74979-6904	9	36	9	18.00	16.00		0.25 MAPS	
74979-0904							0.76	
74979-0909							1.27	
74979-9904							0.76	
74979-9909							1.27	
74979-6004	10	40	10	20.00	18.00	5.15	0.25 MAPS	
74979-1004							0.76	
74979-1009							1.27	
74979-9004							0.76	
74979-9009							1.27	
74979-7004	25	100	10	50.00	48.00		0.25 MAPS	
74979-2504							0.76	
74979-2509							1.27	
74979-8504							0.76	
74979-8509							1.27	

SEE SHEET 1	DESCRIPTION	QUALITY SYMBOLS
EC NO: UCP2017-1186	2016/11/22	▽=0
DRWING:MORGAN	2016/11/29	▽=0
CHKD:		▽=0
APPR:TELO		▽=0

GENERAL TOLERANCES (UNLESS SPECIFIED)	
mm	INCH
4 PLACES ± ---	± ---
3 PLACES ± ---	± ---
2 PLACES ± 0.25	± ---
1 PLACE ± 0.38	± ---
0 PLACE ±	±
ANGULAR ± ---°	
DRAFT WHERE APPLICABLE MUST REMAIN WITHIN DIMENSIONS	

DIMENSION STYLE	
MM ONLY	
DRAWN BY	DATE
NMARTIN	2002/05/03
CHECKED BY	DATE
SREED	2002/05/03
APPROVED BY	DATE
CBIXLER	2002/05/03
MATERIAL NO.	
SEE TABLE	
SIZE C	

SCALE	DESIGN UNITS	THIRD ANGLE PROJECTION
4:1	METRIC	☉
TITLE		
HSD 6 ROW OPEN END BACKPLANE SALES DRAWING		
DOCUMENT NO.		
SD-74979-010		
SHEET NO.		
2 OF 2		
THIS DRAWING CONTAINS INFORMATION THAT IS PROPRIETARY TO MOLEX. INCORPORATED AND SHOULD NOT BE USED WITHOUT WRITTEN PERMISSION		