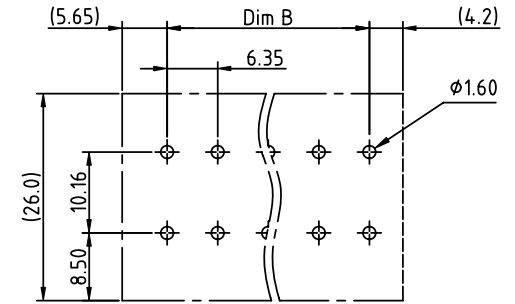
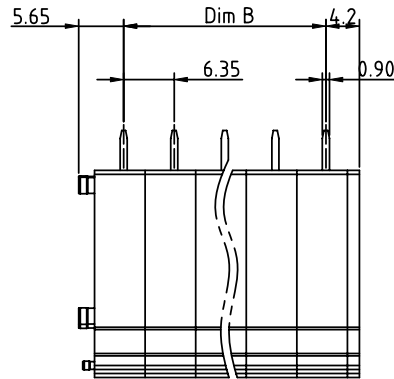
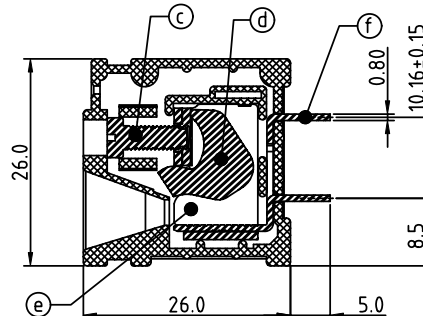
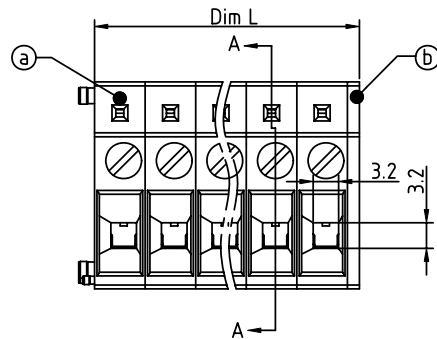


PRODUCT NUMBER	PITCH
KHxx05x000J0G	6.35 mm



RECOMMENDED P.C.B LAYOUT
TOP VIEW



SECTION A-A

Material

- Item (a) Terminal body: Thermoplastic (UL94V-0)
 - Item (b) Terminal cover: Thermoplastic (UL94V-0)
 - Item (c) Terminal screw: Steel Zinc plating "-" slot type
 - Item (d) Firm wire chunk: steel Zinc plated
 - Item (e) Terminal body (metal housing): Steel, Zinc plating
 - Item (f) Solder pin: Copper, Tin plated
- Electrical cULus
- Voltage rating: 300VAC
 - Current rating: 30A
 - Wire range:
 - Solid wire (AWG): 10-24
 - Stranded wire (AWG): 10-24
 - Torque (Lb-In): 4.3
 - Screw: M3
 - Wire strip length: 15-16mm
 - Withstanding Voltage: 1.6KV
 - Operating temperature: -40°C to +115°C
 - Soldering temperature: 260°C±5°C/5 Sec
 - Safety Approval:

N = Number of poles
 Dim L = N x 6.35 + 1.5
 Dim B = (N - 1) x 6.35

poles	Dim L	Dim B
1p	±0.10	±0.10
2-6p	±0.20	±0.20
7-12p	±0.30	±0.30
13-16p	±0.40	±0.40

PART NO.: KH xx 05 x 0 00J0 G

End stackable	Body Color	RoHS compliant
No. of poles	0 Black (RAL9005)	(lead<4%)
01 1 pole	2 Red (RAL3001/D)	In copper Alloy
02 2 poles	3 Orange (RAL2011/P)	
...	4 Yellow (RAL1018/A)	
16 16 poles	5 Green (RAL6018/T)	
	6 Blue (RAL5015/A)	
	8 Grey (RAL7035/D)	
	9 White (RAL1102)	
	C Green (RAL6018/U)	

mat'l. code		surface ASME Y14.5	tolerance ASME Y14.5	projection	product family
itr ecn no dr date		tolerances unless otherwise specified			TERMINAL BLOCK
angles		X.±0.5		MM	title
X*±1"		X.X±0.3			TERMINAL BLOCK
dr		X.XX±0.1		scale	WIRE PROTECTOR, 90D WIRE INLET
ENGR					dwg no
EVIN ZHONG		040114			sheet 1 of 1
chr		040114			size
HANKE FENG		040114			A4
appd		040114			type
SHI JUN		040114			CUSTOMER Drawing
sheet index	revision	A			
	sheet	1			