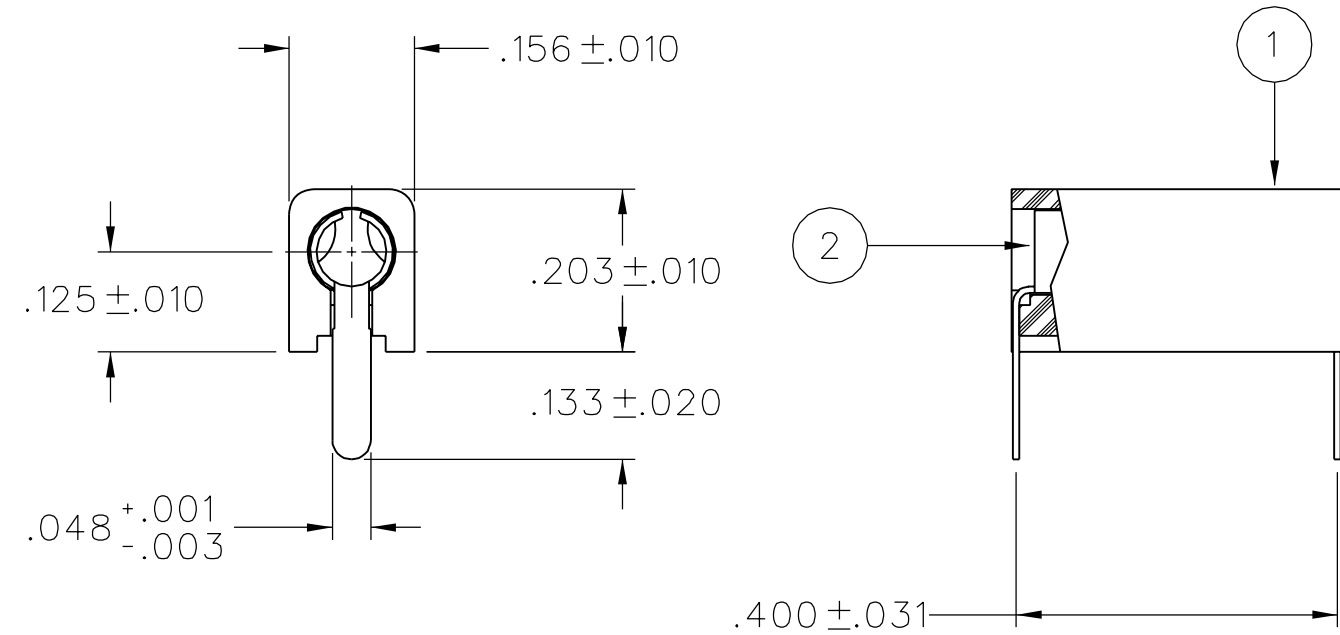
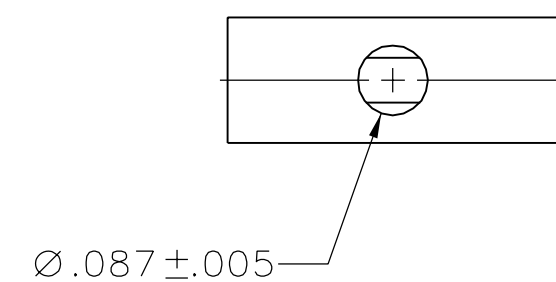
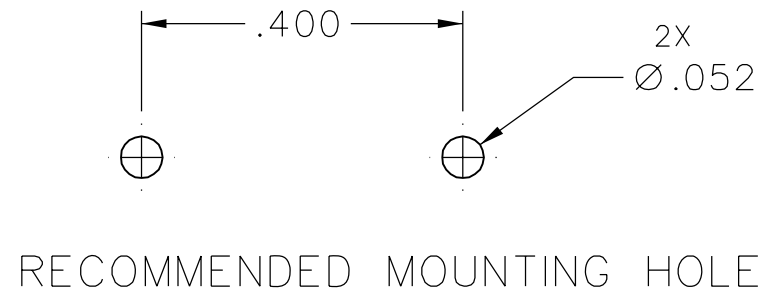


ITEM ①		ITEM ②	
PART NUMBER	BODY	COLOR	CONTACT
105-0751-001	NYLON	WHITE	COPPER ALLOY 688 SILVER PL .0001 MIN OVER COPPER PL .00001 MIN
105-0752-001		RED	
105-0753-001		BLACK	
105-0754-001		GREEN	
105-0755-001			
105-0756-001		ORANGE	
105-0757-001		YELLOW	
105-0758-001		BROWN	
105-0759-001			
105-0760-001		BLUE	
105-0761-001			
105-0762-001		VIOLET	
105-0763-001		GRAY	
105-0764-001			
105-0765-001			
105-0766-001			
105-0767-001			
105-0768-001			
105-0769-001			
105-0770-001			



NOTES:  
 SPECIFICATIONS:  
 ELECTRICAL:  
 CURRENT RATING: 5 AMPS DC MINIMUM  
 DIELECTRIC WITHSTANDING VOLTAGE: 2100 VRMS MIN AT SEA LEVEL  
 RECOMMENDED WORKING VOLTAGE: 1500 VRMS MAX AT SEA LEVEL  
 350 VRMS MAX AT 50,000 FEET  
 INSULATION RESISTANCE: 5000 MEGOHMS MIN  
 CONTACT RESISTANCE: 5 MILLIOHMS MAXIMUM  
 CAPACITANCE: 1 PF NOMINAL  
 MECHANICAL:  
 INSERTION/WITHDRAWAL FORCE: 0.5 - 5.0 POUNDS  
 CONTACT RETENTION IN INSULATOR FORCE: NOT APPLICABLE  
 CONTACT RETENTION IN INSULATOR TORQUE: NOT APPLICABLE  
 INSULATOR RETENTION IN .062 PANEL FORCE: NOT APPLICABLE  
 INSULATOR RETENTION IN SLEEVE FORCE: NOT APPLICABLE  
 INSULATOR RETENTION IN PANEL TORQUE: NOT APPLICABLE  
 PLASTIC MOUNTING THREAD STRIPPING TORQUE: NOT APPLICABLE  
 RESISTANCE TO TEST PROBE DAMAGE TORQUE: 2 IN LB MIN  
 MATING TIP PLUG DIAMETER: .080  
 DURABILITY: 500 CYCLES MINIMUM  
 ENVIRONMENTAL:  
 (MEETS OR EXCEEDS THE APPLICABLE PARAGRAPH OF MIL-PRF-39024)  
 OPERATING TEMPERATURE: -55 DEG C TO 75 DEG C  
 TEMPERATURE RISE AT RATED CURRENT: 10 DEG C MAXIMUM  
 CORROSION: MIL-STD-1344, METHOD 1001, CONDITION B  
 SHOCK: MIL-STD-1344, METHOD 2004, CONDITION G  
 VIBRATION: MIL-STD-1344, METHOD 2005, CONDITION I  
 HUMIDITY: MIL-STD-1344, METHOD 1002, CONDITION B

DRAWING NO.  
B - 105-0751/0770-001

REVISIONS	
0	

REVISED AND REDRAWN. DRAWING WAS "C" SIZE 105-0751/0770-001/501 DATED 3-29-88. SPLIT INTO 8 SEPERATE DWGS. CREATED SHEET 2.  
 \*\*\*\*\*  
 \* REVISION NUMBER FOLLOWED BY AN ALPHA \*  
 \* CHARACTER INDICATES DRAWING CLARIFI- \*  
 \* CATION OR PART NUMBER ADDITION ONLY \*  
 \*\*\*\*\*

13c	2-10-03	RH	RJB			ECN 48700
-----	---------	----	-----	--	--	-----------

CUSTOMER DRAWING

THIS DRAWING TO BE INTERPRETED PER ASME Y 14.5M - 1994

"μSTATION"

COMPANY CONFIDENTIAL

TOLERANCE UNLESS OTHERWISE SPECIFIED		DRAWN BY	DATE
DECIMALS	mm	RJB	12-19-02
.XX	_____	CHECKED BY	DATE
.XXX	_____		
MATL	_____	APPROVED BY	DATE
		RJB	2-12-03
FINISH	_____	RELEASE DATE	2-12-03
		U/M	INCH
		SCALE	4:1

Cinch Connectivity Solutions  
 P.O. Box 1732  
 Waseca, MN 56093  
 1-800-247-8256

TITLE  
TIP JACK, STANDARD HORIZONTAL PC MOUNT FOR .080 DIA PLUG

SHEET	DRAWING NO.
2 OF 2	B - 105-0751/0770-001