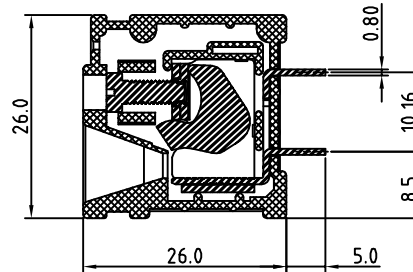
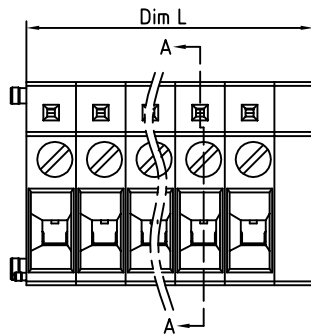
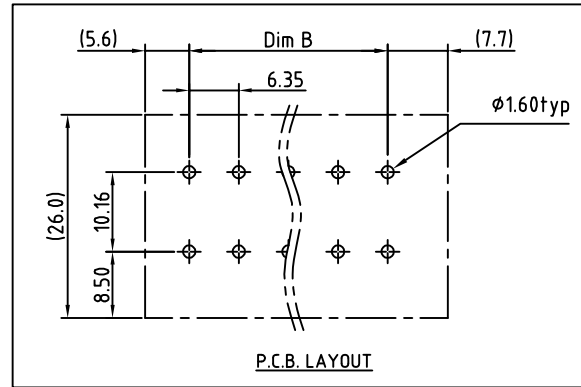
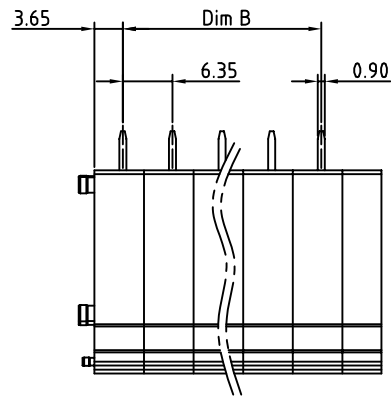


SIGN	DATE	DESCRIPTION	APPROVER

THIS IS CAD DRAWING, DO NOT REVISE MANUALLY!!!



SECTION A-A

**Material**

- Insulating body Thermoplastic ( UL94V-0 )
- Insulating cover Thermoplastic ( UL94V-0 )
- Terminal screw Steel Zinc plating "-" slot type
- Clamp cage Steel/steel Zinc plated
- Terminal body Steel, Zinc plating
- Solder pin Brass, Tin plated

**Electrical**

- Voltage rating: 300VAC
- Current rating: 30A
- Wire range:
  - Solid wire(AWG): 10-24
  - Stranded wire(AWG): 10-24
- Torque(Lb-In): 4.3
- Screw: M3
- Wire strip length: 15-16mm
- Withstanding Voltage: 1.6KV
- Operating temperature: -30°C to +105°C
- Soldering temperature: 250°C±10°C/5 Sec

RoHS Compliant

PART NUMBER:

OSTKHXX0550

No. of Poles	COLOR
02 2 Poles	0: Black
03 3 Poles	5: Green (Standard)
... ..	6: Blue
16 16 Poles	8: Grey

Poles	01	02	03	04	05	06	07	08
Dim L	11.35	17.70	24.05	30.40	36.75	43.10	49.45	55.80
Dim B		6.35	12.70	19.05	25.40	31.75	38.10	44.45
TOL	±0.15				±0.20			
Poles	09	10	11	12	13	14	15	16
Dim L	62.15	68.50	74.85	81.20	87.55	93.90	100.25	106.60
Dim B	50.80	57.15	63.50	69.85	76.20	82.55	88.90	95.25
TOL	±0.25				±0.30			

THESE DRAWINGS AND SPECIFICATIONS ARE THE PROPERTY OF ON-SHORE TECHNOLOGY, INC. AND SHALL NOT BE REPRODUCED, COPIED OR USED IN ANY MANNER WITHOUT THE PRIOR WRITTEN CONSENT OF ON-SHORE TECHNOLOGY, INC.



TITLE	OSTKH 6.35 Series 90Degree Wire inlet						
PART NO.	OSTKHXX0550		DWG NO.	OSTKHXX0550.DWG			
APPROVED	CHECKED	DESIGNED	DRAWN	CUST NO.			
		Aaron 2007.12.04	Aaron 2007.12.04				
					UNIT: mm	Tolerance	
					SCALE: NONE	X.X	±0.30
				SHEET: 01/01	REV.: A1	X.XX	±0.10
						X°	±1°