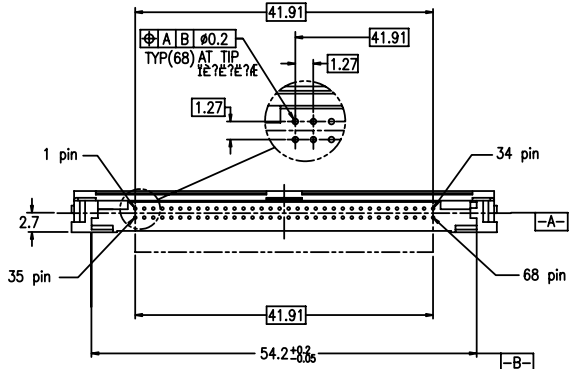
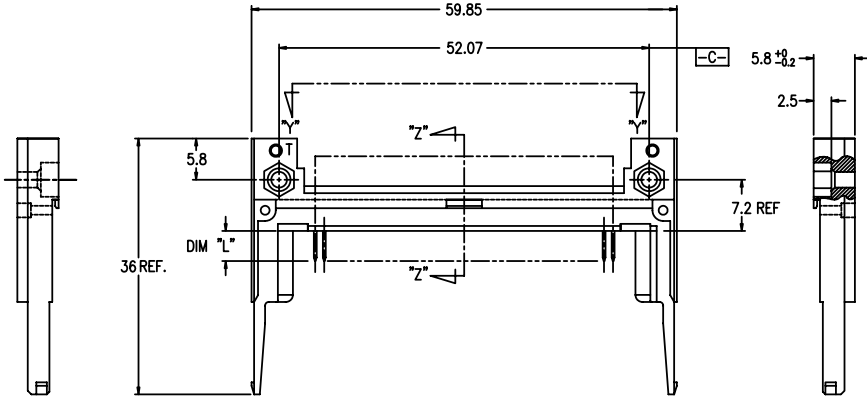




PRODUCT NO.
92140-000
△92140-000LF
92140-000H
△92140-000HLF
92140-001
△92140-001LF
92140-001H
△92140-001HLF
92140-002
△92140-002LF
92140-002H
△92140-002HLF



- NOTES
- TRUE POSITION IS A FREE GRID TO PIN PATTERN ITSELF.
  - SEE TA-946 FOR PCB LAYOUT.
  - MATERIAL HOUSING : LCP UL94V-0 BLACK.  
PIN : PHOSPHOR BRONZE.  
HOLD-DOWN : BRASS
  - FINISH PIN  
UNDER PLATING : 0.5µm MIN. Ni.  
CONTACT AREA : 0.1µm MIN. Au.  
OVER 0.5µm MIN. Pb-Ni.  
SOLDER AREA : 2.5µm MIN. Sn-Pb.  
OR 2.5µm MIN. PURE Sn.(FOR -XXXLF)  
HOLD-DOWN : 2.5µm MIN. PURE Sn.

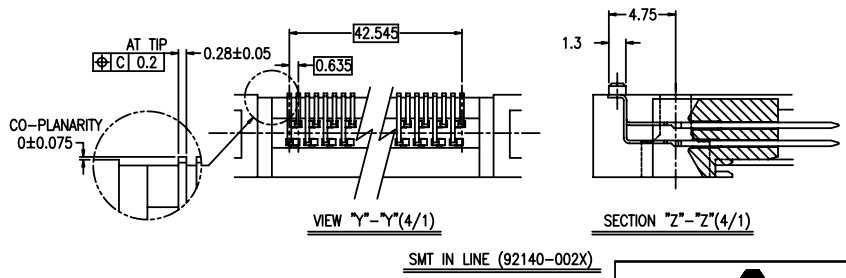
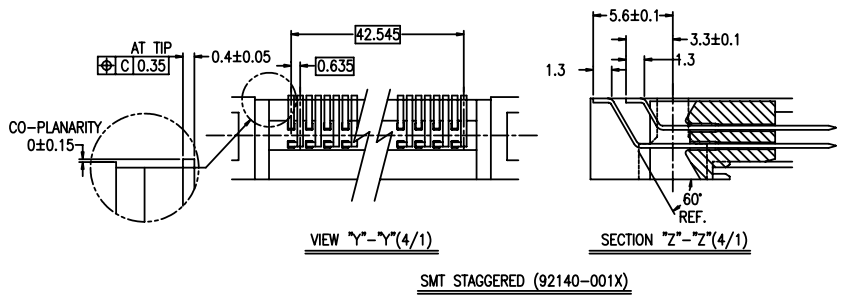
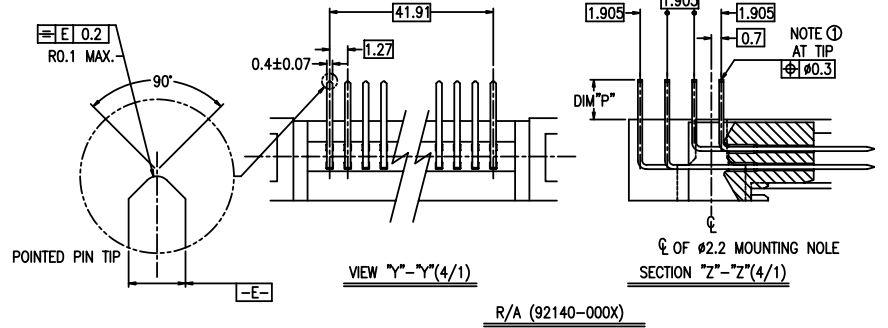
5. RECOMMENDED PCB HOLE (OPTIONAL HOLD-DOWN) : 2.3±0.1

6. SEQUENCE PIN ASSIGNMENT

PIN No.	DIM 'L'		
	4.25±0.1	3.5±0.1	5.0±0.1
OTHERS	36.67	1.17 <sub>34</sub>	35.51 <sub>68</sub>

- GENERAL TOLERANCE : ±0.3
- SEE SHEET 1 REGARDING COMPONENTS.

P	REVISED	N05-0046	S.K	2/24/05	REVISIONS				
Q	REVISED	N05-0279	M.Z	10/28/05	REV	DESCRIPTION	ECN	BY	DATE
A	RELEASED	J30043	N.T	2/23/93					
B	REVISED	J30157	Y.Su	5/20/93					
C	REVISED (ADDED -111)	J30135	K.S	8/13/93					
D	REVISED	J40005	K.S	2/7/94					
E	REVISED	V32220	M.K	2/16/94					
F	REVISED	V32221	M.K	2/28/94					
G	REVISED	J40068	M.K	3/2/94					
H	REVISED	V40645	M.K	6/24/94					
J	REVISED	V40840	M.K	6/24/94					
K	REVISED	J50006	M.K	6/29/94					
L	REVISED	J50039	M.K	3/1/95					
M	REVISED	J50097	S.K	8/7/95					
N	REVISED	J80447	S.K	11/5/98					

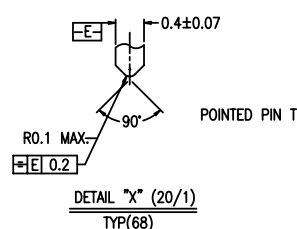
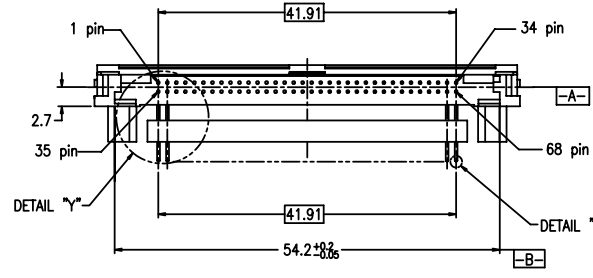
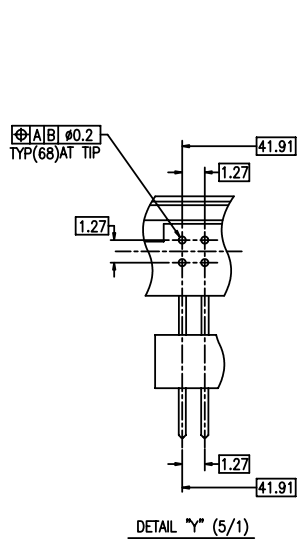
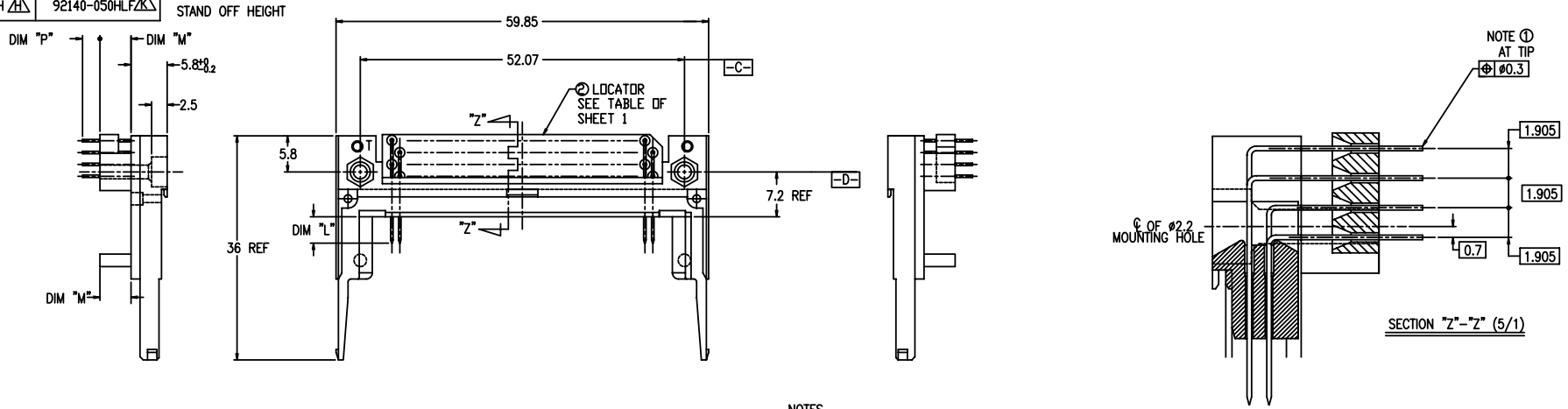


SHEET INDEX		ISSUE		MAT		DATE		CUSTOMER		TITLE	
SH NO.				SEE NOTE ④		2/24/05		COPY		68 POS EJECTOR HEADER ASSY	
TOLERANCES UNLESS OTHERWISE SPECIFIED				DR M.Hasegawa		2/24/05		PRODUCT FAMILY Header		PCMCIA SANF	
LINEAR				CHK M.Hasegawa		2/24/05		THIRD ANGLE PROJ		SCALE 2/1	
ANGLES				APPD				UNIT mm		DWG. NO. 92140	
								REV Q		SHEET 2 OF 2	



PRODUCT NO.	PRODUCT NO.
92140-010	92140-010LF
92140-010H	92140-010HLF
92140-020	92140-020LF
92140-020H	92140-020HLF
92140-040	92140-040LF
92140-050	92140-050LF
92140-050H	92140-050HLF

REVISIONS				
REV	DESCRIPTION	ECN	BY	DATE
A	RELEASED	J30043	N.T.	2/16/93
B	REVISED	V32221	M.K.	2/28/94
C	REVISED	J40068	M.K.	3/ 2/94
D	REVISED	V40840	M.K.	6/29/94
E	REVISED	J50008	M.K.	2/9/95
F	REVISED	J50039	M.K.	3/1/95
G	REVISED (ADDED-020H)	V70154	K.S.	8/8/97
H	REVISED (ADDED-020H)	J70134	K.S.	8/8/97
J	REVISED (ADDED-010H)	V81446	S.K.	11/13/98
K	REVISED	N05-0046	M.H.	2/24/05



- NOTES
- TRUE POSITION IS A FREE GRID TO PIN PATTERN ITSELF.
  - SEE TA-946 FOR PCB LAYOUT.
  - MATERIAL  
HOUSING : LCP UL94V-0 BLACK.  
PIN : PHOSPHOR BRONZE.  
HOLD-DOWN : BRASS
  - FINISH  
PIN  
UNDER PLATING : 0.5μm MIN. Ni.  
CONTACT AREA : 0.1μm MIN. Au.  
OVER 0.5μm MIN. Pb-Ni.  
SOLDER AREA : 2.5μm MIN. Sn-Pb.  
OR 2.5μm MIN. PURE Sn.(FOR -XXXLF)  
HOLD-DOWN : 2.5μm MIN. PURE Sn.
  - RECOMMENDED PCB HOLE (OPTIONAL HOLD-DOWN) : 2.3±0.1
  - SEQUENCE PIN ASSIGNMENT

	DIM "L"		
	4.25±0.1	3.5±0.1	5.0±0.1
PIN No.	OTHERS	36.67	35.51.68

SHEET INDEX	ISSUE									
	SH. NO.									
TOLERANCES UNLESS OTHERWISE SPECIFIED	MAT	DR	DATE	CUSTOMER COPY	TITLE	PRODUCT FAMILY	Header	PCMCIA	SANF	CODE JP
LINEAR	FINISH	CHK	APPD							
ANGLES	SCALE	SIZE	DWG. NO.	REV	SHEET	UNIT	MM	INCH		

**FCI**

68 POS EJECTOR HEADER ASSY

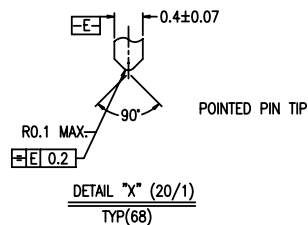
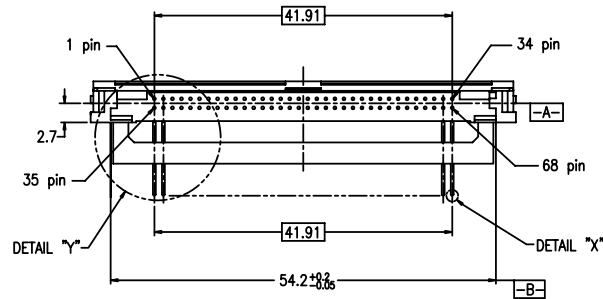
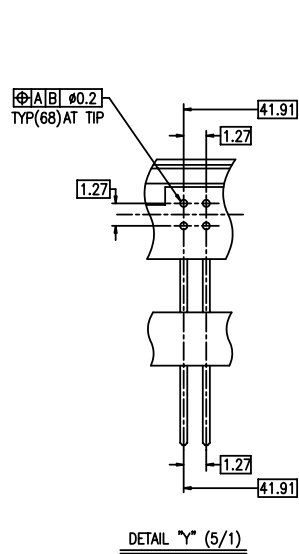
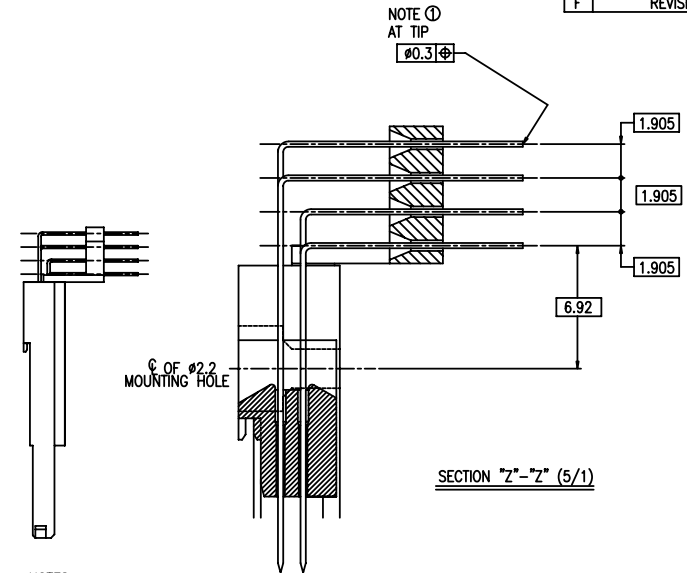
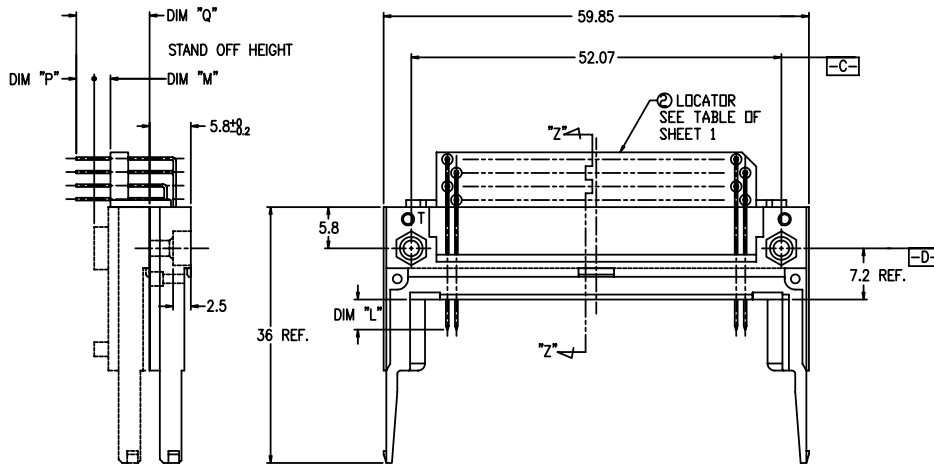
Header PCMCIA SANF

SCALE: 2/1 C DWG. NO. 92140 REV SHEET K 3 OF

DF-003A REV F DO NOT SCALE PRINT THIS INFORMATION IS CONFIDENTIAL AND IS DISCLOSED TO YOU ON CONDITION THAT NO FURTHER DISCLOSURE IS MADE BY YOU TO OTHER THAN FCI PERSONNEL WITHOUT WRITTEN AUTHORIZATION FROM FCI JAPAN K.K.

PRODUCT NO.
92140-005
92140-005LF $\Delta$
92140-045
92140-045LF $\Delta$

REVISIONS				
REV	DESCRIPTION	ECN	BY	DATE
A	RELEASED	J30043	N.T.	2/23/93
B	REVISED	V32221	M.K.	2/28/94
C	REVISED	J40068	M.K.	3/ 2/94
D	REVISED	J50008	M.K.	2/ 9/95
E	REVISED	J50039	M.K.	3/ 1/95
F	REVISED	nos-0048	M.K.	2/24/05



NOTES

- TRUE POSITION IS A FREE GRID TO PIN PATTERN ITSELF.
- SEE TA-946 FOR PCB LAYOUT.
- MATERIAL:  
HOUSING : LCP UL94V-0 BLACK.  
PIN : PHOSPHOR BRONZE.  
HOLD-DOWN : BRASS
- FINISH  
PIN  
UNDER PLATING : 0.5 $\mu$ m MIN. Ni.  
CONTACT AREA : 0.1 $\mu$ m MIN. Au.  
OVER 0.5 $\mu$ m MIN. Pb-Ni.  
SOLDER AREA : 2.5 $\mu$ m MIN. Sn-Pb.  
OR 2.5 $\mu$ m MIN. PURE Sn.(FOR -XXXLF)  
HOLD-DOWN : 2.5 $\mu$ m MIN. PURE Sn.
- RECOMMENDED PCB HOLE (OPTIONAL HOLD-DOWN) : 2.3±0.1
- SEQUENCE PIN ASSIGNMENT

		DIM "L"		
		4.25±0.1	3.5±0.1	5.0±0.1
PIN No.	OTHERS	36.67	1.17,34	36,51,68

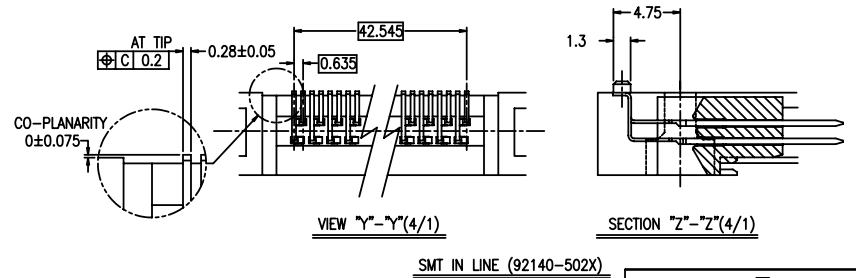
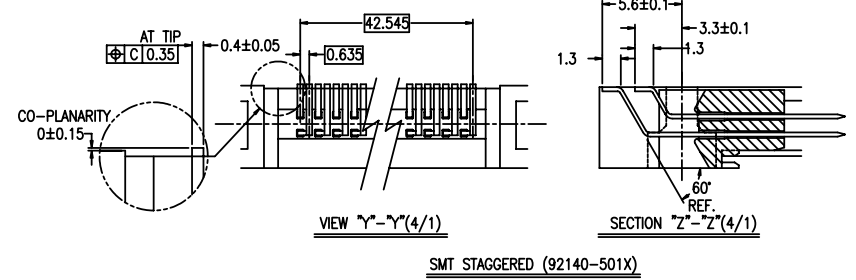
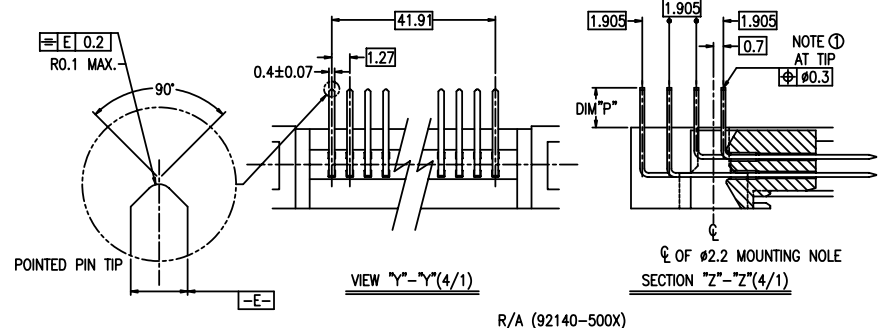
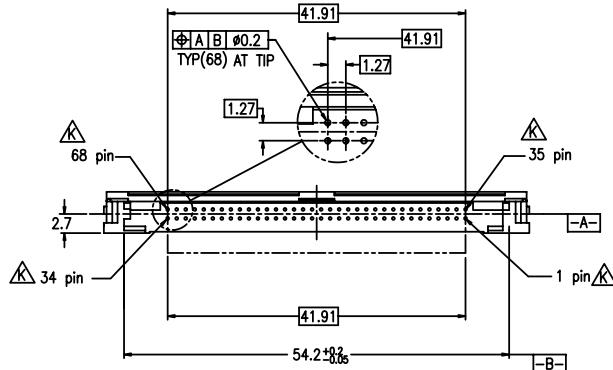
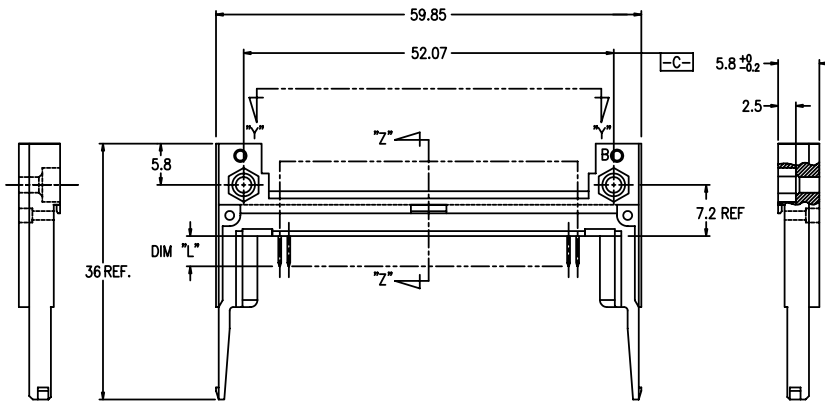
- GENERAL TOLERANCE : ±0.3
- SEE SHEET 1 REGARDING COMPONENTS.
- THIS PRODUCT MEETS EUROPEAN UNION DIRECTIVES AND OTHER COUNTRY REGULATIONS AS DESCRIBED IN GS-22-008

SHEET INDEX	ISSUE												
	SH. NO.												
TOLERANCES UNLESS OTHERWISE SPECIFIED		MAT	DR	DATE	CUSTOMER COPY	TITLE							
		SEE NOTE ③	M.Hasegawa	2/24/05		68 POS EJECTOR HEADER ASSY							
LINEAR		FINISH	CHK		THIRD ANGLE PROJ	PRODUCT FAMILY							
		SEE NOTE ④	M.Hasegawa	2/24/05		Header PCMCIA SANF							
ANGLES			APPD		UNIT	SCALE	SIZE	DWG. NO.	REV	SHEET			
					MM	2/1	C	92140	F	4 of 4			



PRODUCT NO.
92140-500
92140-500LF $\triangle$
92140-500H
92140-500HLF $\triangle$
92140-501
92140-501LF $\triangle$
92140-501H
92140-501HLF $\triangle$
92140-502
92140-502LF $\triangle$
92140-502H
92140-502HLF $\triangle$
92140-503 $\triangle$
92140-503LF $\triangle$

P	REVISED	N05-0279	M.Z	10/28/05	REVISIONS		
REV	DESCRIPTION	ECN	BY	DATE			
A	RELEASED	J30043	N.T	2/23/93			
B	REVISED	V32221	M.K	2/28/94			
C	REVISED	J40068	M.K	3/ 2/94			
D	REVISED	V40645	M.K	6/24/94			
E	REVISED	J50008	M.K	2/ 9/95			
F	REVISED	J50039	M.K	3/ 1/95			
G	REVISED	J50097	S.K	8/7/96			
H	REVISED	J80447	S.K	11/5/98			
J	REVISED	J90445	M.K	12/8/99			
K	REVISED	V20939	Y.K	6/10/02			
L	REVISED	N05-0020	M.H	1/31/05			
M	REVISED	N05-0046	M.H	2/24/05			
N	REVISED	J05-0287	M.H	5/17/05			



- NOTES
- TRUE POSITION IS A FREE GRID TO PIN PATTERN ITSELF.
  - SEE TA-946 FOR PCB LAYOUT.
  - MATERIAL  
HOUSING : LCP UL94V-0 NATURAL.  
PIN : PHOSPHOR BRONZE.  
HOLD-DOWN : BRASS
  - FINISH PIN  
UNDER PLATING : 0.5um MIN. Ni.  
CONTACT AREA : 0.1um MIN. Au.  
OVER : 0.5um MIN. Pb-Ni.  
SOLDER AREA : 2.5um MIN. Sn-Pb.  
OR 2.5um MIN. PURE Sn.(FOR -XXXLF)  
HOLD-DOWN : 2.5um MIN. PURE Sn.
  - RECOMMENDED PCB HOLE (OPTIONAL HOLD-DOWN) : 2.3 +/- 0.1
  - SEQUENCE PIN ASSIGNMENT

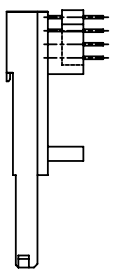
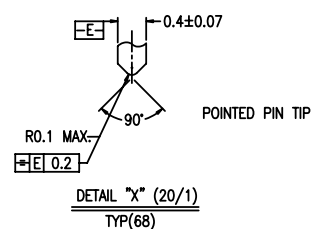
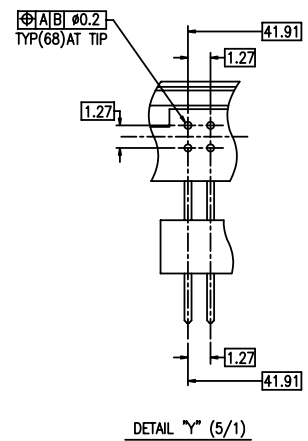
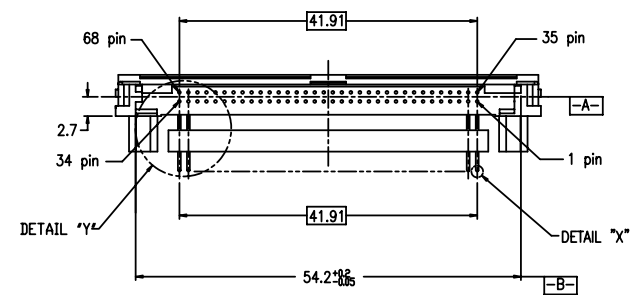
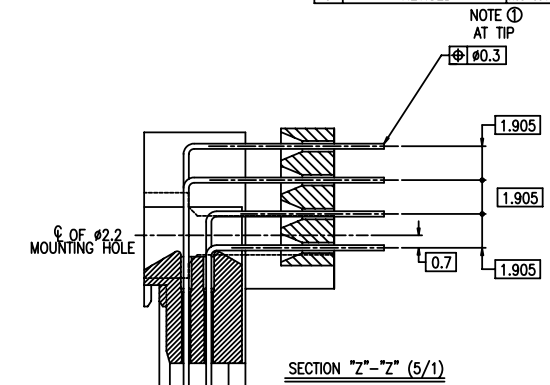
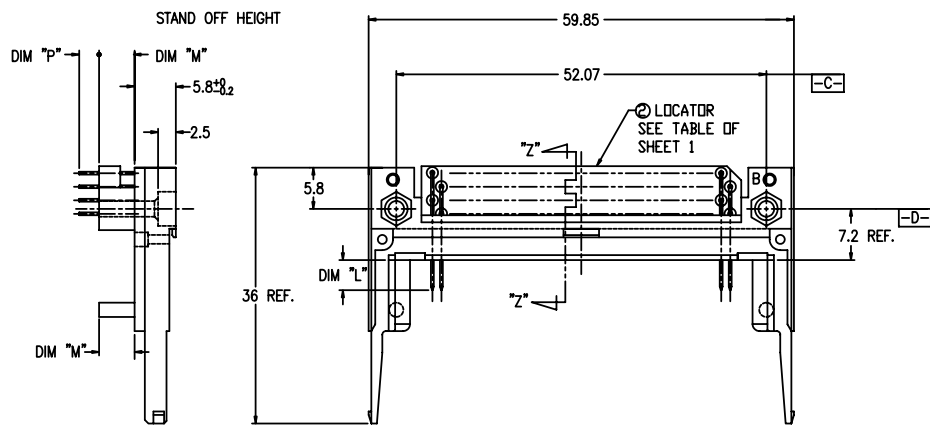
	DIM 'L'		
	4.25 +/- 0.1	3.5 +/- 0.1	5.0 +/- 0.1
PIN No.	OTHERS	36,67	1,17,34,38,51,68

- GENERAL TOLERANCE : +/- 0.3
- SEE SHEET 1 REGARDING COMPONENTS.
- THIS PRODUCT MEETS EUROPEAN UNION DIRECTIVES AND OTHER COUNTRY REGULATIONS AS DESCRIBED IN GS-22-008

SHEET INDEX	ISSUE					FCI	
	SH. NO.						
TOLERANCES UNLESS OTHERWISE SPECIFIED		MAT	DATE	CUSTOMER COPY	TITLE		
		SEE NOTE ①	M.Hasegawa 5/11/05		68P EJECTOR HEADER ASSY		
		FINISH	DATE	THIRD ANGLE PROJ	PRODUCT FAMILY		
		SEE NOTE ②	M.Hasegawa 5/11/05		Header PCMCIA SANF		
LINEAR		APPD	UNIT	SCALE	SIZE	DWG. NO.	
ANGLES			MM	2/1	C	92140	
			INCH				
				REV	SHEET		
				P	5 of		

PRODUCT NO.	
92140-510	92140-510LF $\Delta$
92140-520	92140-520LF $\Delta$
92140-520H $\Delta$	92140-520HLF $\Delta$
92140-530	92140-530LF $\Delta$
92140-540	92140-540LF $\Delta$

REVISIONS				
REV	DESCRIPTION	ECN	BY	DATE
A	RELEASED	J30043	N.T	2/18/93
B	REVISED	V32220	M.K	2/16/94
C	REVISED	V32221	M.K	2/28/94
D	REVISED	J40068	M.K	3/ 2/94
E	REVISED	V40840	M.K	7/11/94
F	REVISED	J50006	M.K	2/ 9/95
G	REVISED	J50039	M.K	3/ 1/95
H	REVISED	J03-0307	M.H	7/16/03
J	REVISED	N05-0048	M.H	2/24/05



- NOTES
- TRUE POSITION IS A FREE GRID TO PIN PATTERN ITSELF.
  - SEE TA-946 FOR PCB LAYOUT.
  - MATERIAL  
HOUSING : LCP UL94V-0 NATURAL  
PIN : PHOSPHOR BRONZE.  
HOLD-DOWN : BRASS
  - FINISH PIN  
UNDER PLATING : 0.5μm MIN. Ni.  
CONTACT AREA : 0.1μm MIN. Au.  
OVER 0.5μm MIN. Pb-Ni.  
SOLDER AREA : 2.5μm MIN. Sn-Pb.  
OR 2.5μm MIN. PURE Sn.(FOR -XXXLF)  
HOLD-DOWN : 2.5μm MIN. PURE Sn.
  - RECOMMENDED PCB HOLE (OPTIONAL HOLD-DOWN) : 2.3±0.1
  - SEQUENCE PIN ASSIGNMENT

PIN No.	DIM "L"		
	4.25±0.1	3.5±0.1	5.0±0.1
OTHERS	36.67	117.34	35.51.88

- GENERAL TOLERANCE : ±0.3
- SEE SHEET 1 REGARDING COMPONENTS.
- THIS PRODUCT MEETS EUROPEAN UNION DIRECTIVES AND OTHER COUNTRY REGULATIONS AS DESCRIBED IN GS-22-008

SHEET INDEX	ISSUE										CUSTOMER COPY	TITLE
	SH NO.											
	TOLERANCES UNLESS OTHERWISE SPECIFIED											68P EJECTOR HEADER ASSY
	MAT SEE NOTE ③										DATE	Header PCMCIA SANF
	DR M.Hasegawa 2/24/05										UNIT	CODE JP
	ENGR M.Hasegawa 2/24/05										THIRD ANGLE PROJ	REV SHEET
	FINISH SEE NOTE ④										SCALE	SIZE
	CHK										DWG. NO.	92140
	APPD										UNIT	J
	ANGLES										MM	6 OF

**FCI**

68P EJECTOR HEADER ASSY

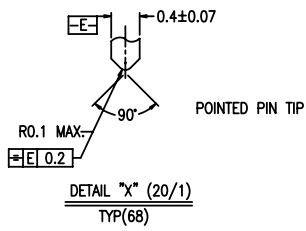
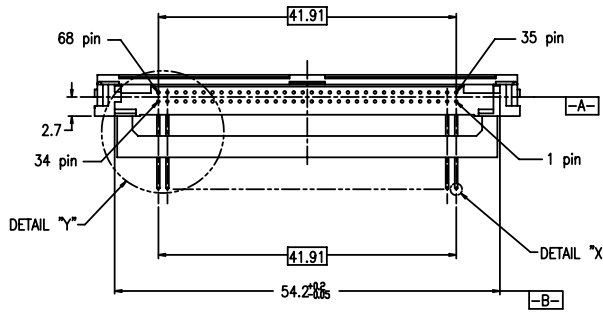
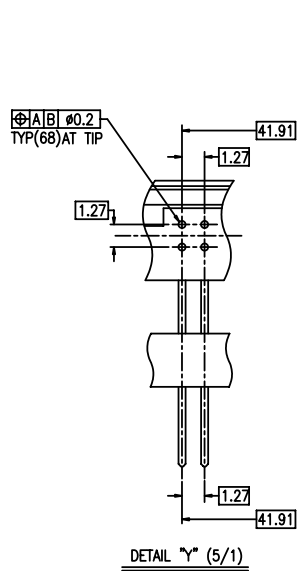
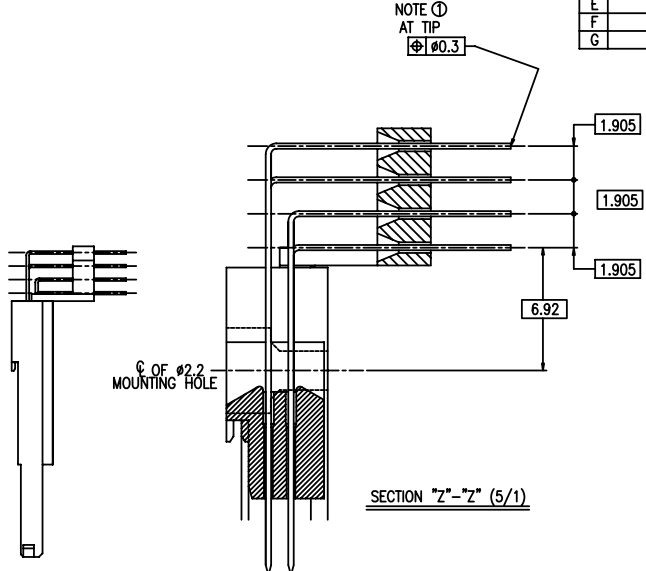
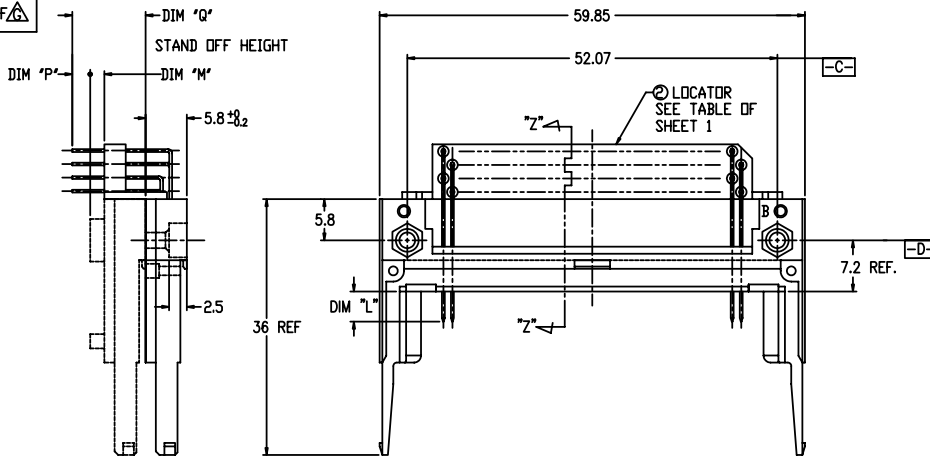
Header PCMCIA SANF

SCALE: 2/1 C DWG. NO. 92140 REV J SHEET 6 OF

DF-003A REV F  
DO NOT SCALE PRINT THIS INFORMATION IS CONFIDENTIAL AND IS DISCLOSED TO YOU ON CONDITION THAT NO FURTHER DISCLOSURE IS MADE BY YOU TO OTHER THAN FCI PERSONNEL WITHOUT WRITTEN AUTHORIZATION FROM FCI JAPAN K.K.

PRODUCT NO.
92140-505
92140-505LF
92140-535
92140-535LF
92140-545
92140-545LF

REVISIONS				
REV	DESCRIPTION	ECN	BY	DATE
A	RELEASED	J30043	N.T	2/23/93
B	REVISED	J30157	Y.SU	5/20/93
C	REVISED	V32221	M.K	2/28/94
D	REVISED	J40068	M.K	3/ 2/94
E	REVISED	J50008	M.K	2/ 9/95
F	REVISED	J50039	M.K	3/ 1/95
G	REVISED	nos-0046	M.H	2/24/05



- NOTES
- TRUE POSITION IS A FREE GRID TO PIN PATTERN ITSELF.
  - SEE TA-946 FOR PCB LAYOUT.
  - MATERIAL  
HOUSING : LCP UL94V-0 NATURAL  
PIN : PHOSPHOR BRONZE.  
HOLD-DOWN : BRASS
  - FINISH  
PIN  
UNDER PLATING : 0.5µm MIN. Ni.  
CONTACT AREA : 0.1µm MIN. Au.  
OVER 0.5µm MIN. Pb-Ni.  
SOLDER AREA : 2.5µm MIN. Sn-Pb.  
OR 2.5µm MIN. PURE Sn.(FOR -XXXLF)  
HOLD-DOWN : 2.5µm MIN. PURE Sn.
  - RECOMMENDED PCB HOLE (OPTIONAL HOLD-DOWN) : 2.3±0.1
  - SEQUENCE PIN ASSIGNMENT
- |         |        | DIM "L"  |         |          |
|---------|--------|----------|---------|----------|
|         |        | 4.25±0.1 | 3.5±0.1 | 5.0±0.1  |
| PIN No. | OTHERS | 36.67    | 1.17.34 | 35.51.88 |
- GENERAL TOLERANCE : ±0.3
  - SEE SHEET 1 REGARDING COMPONENTS.
  - THIS PRODUCT MEETS EUROPEAN UNION DIRECTIVES AND OTHER COUNTRY REGULATIONS AS DESCRIBED IN GS-22-008

**FCI**

SHEET INDEX	ISSUE	SH NO.	TOLERANCES UNLESS OTHERWISE SPECIFIED	MAT	DR	DATE	CUSTOMER COPY	TITLE
			SEE NOTE 4	FCI	M.Hasegawa	2/24/05		68 POS EJECTOR HEADER ASSY
LINEAR	FINISH	CHK	SEE NOTE 4	FCI	M.Hasegawa	2/24/05	THIRD ANGLE PROJ	PRODUCT FAMILY Header PCMCIA SANF
ANGLES	APPD	UNIT	SCALE	SIZE	DWG. NO.	REV	SHEET	CODE JP
		MM	2/1	C	92140	G	7 of	

DF-003A REV.F DO NOT SCALE PRINT THIS INFORMATION IS CONFIDENTIAL AND IS DISCLOSED TO YOU ON CONDITION THAT NO FURTHER DISCLOSURE IS MADE BY YOU TO OTHER THAN FCI PERSONNEL WITHOUT WRITTEN AUTHORIZATION FROM FCI JAPAN K.K.