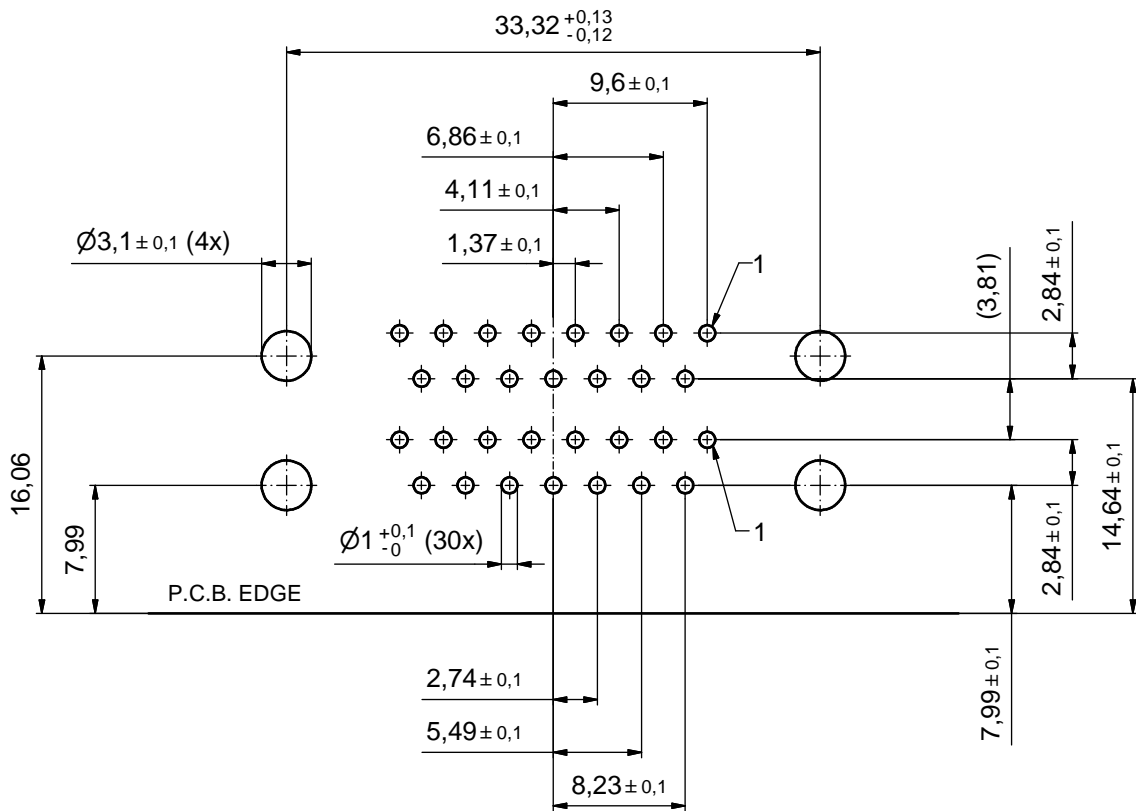


NOTES:

1. METALSHELLS: STEEL; min. 315µm TIN over 40-80µm NICKEL
2. INSULATORS: PBT GF UL 94 V-0, BLACK
3. CONTACTS: COPPER ALLOY; PLATING (SEE PART NO):
 PLEASE ADD A for GOLD FLASH over NICKEL (PREFERRED TYPE)
 PLEASE ADD B for 20µm HARD GOLD over min. 50µm NICKEL
 PLEASE ADD C for 30µm HARD GOLD over min. 50µm NICKEL
4. METAL BRACKETS:
 ZINC DIE CAST; 300µm COPPER/40-120µm NICKEL/120-200µm TIN
5. THREADED INSERTS: COPPER ALLOY; min. 200µm TIN over 80µm NICKEL
6. FIXING PLATE: PBT GF UL 94 V-0, BLACK
7. PCB-SNAPS: COPPER ALLOY; min. 200µm TIN over 80µm NICKEL
 PCB-HOLE: $\phi 3,1 \pm 0,1$ mm; PCB-THICKNESS: 1,6mm
8. P.C.B. HOLE DRILLINGS ON SHEET 2
9. MAXIMUM TORQUE VALUE FOR THREAD: 6 in.LB
10. CONNECTOR IS PART MARKET: 164□19929X CONEC ABC

Directive 2002/95/EC RoHS compliant

THIS DRAWING MAY NOT BE COPIED OR REPRODUCED IN ANY WAY, AND MAY NOT BE PASSED ON TO A THIRD PARTY WITHOUT WRITTEN PERMISSION. OWNERSHIP AND COPYRIGHT OF CONEC GmbH DO NOT ALTER CAD DRAWING BY HAND				tolerance		dim. in mm	scale: 2:1				
							material: see notes				
						date	name		title: D-SUB DUAL PORT 19,05mm FEMALE / FEMALE 2x15pos. threaded insert, metal bracket, fixing plate, snap		
						drawn	10.04.13 Schmidt				
		appd.	10.04.13 Fischer		dwg no: 16K1A3220 (b)						
		norm									
		d-old	16K1A543 / 16K11MGA		part no: 164□19929X (see note3)						
1 x b	A4717	10.04.13	HS					DIN-A3 sh: 1			
a	Original										
rev.	description	date	name								



P.C.B. HOLE DRILLINGS
(P.C.B. TOP SIDE)

THIS DRAWING MAY NOT BE COPIED OR REPRODUCED IN ANY WAY, AND MAY NOT BE PASSED ON TO A THIRD PARTY WITHOUT WRITTEN PERMISSION. OWNERSHIP AND COPYRIGHT OF CONEC GmbH DO NOT ALTER CAD DRAWING BY HAND				tolerance		scale: 3:1	
					dim. in mm	material: see sheet 1	
				date	name	title: P.C.B. HOLE DRILLINGS D-SUB DUAL PORT 19,05mm FEMALE / FEMALE 2x15pos.	
				drawn 10.04.13	Schmidt		
				appd. 10.04.13	Fischer		
				norm			
				d-old	see sheet 1	dwg no:	
	a	Original		CONEC [®]		16K1A3220	DIN-A3
	rev.	description	date			name	part no: see sheet 1