

## General Specifications

### Motor Protection:

Auto Restart

### Insulation Resistance:

10M Ω or over with a DC500V Megger

### Dielectric Withstand Voltage: AC 700V 1s

### Allowable Ambient Temperature Range:

-40°C ~ +40°C (Operating)

-40°C ~ +70°C (Storage)

(non-condensing environment)

## Expected Life

-20°C 70,000 Hours (L10)

## Material

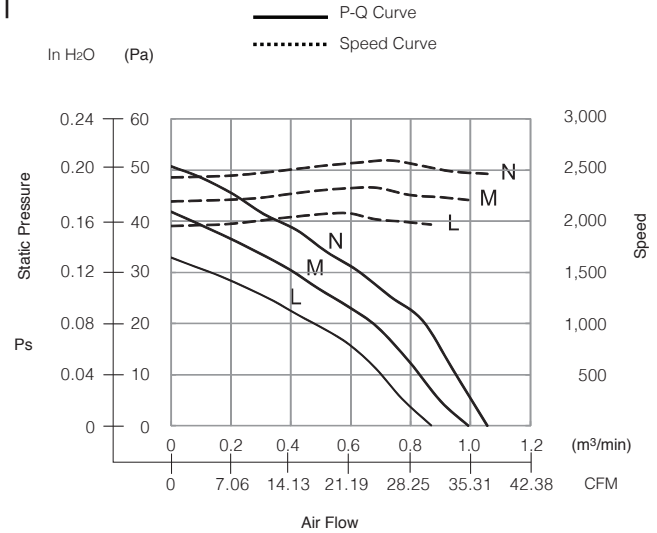
Casing : Plastic (Black) UL94V-0

Impeller : Plastic (Black) UL94V-0

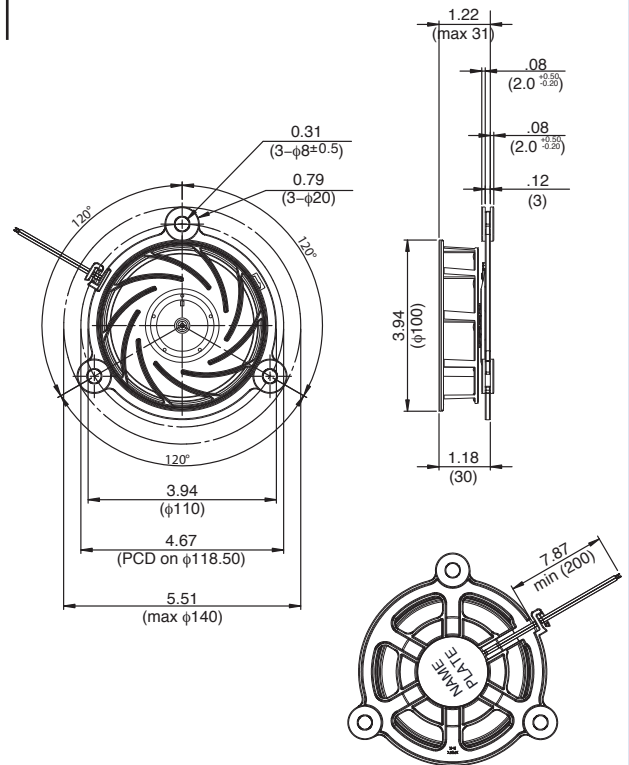
Bearing : Ball Bearing

Lead Wire : UL1007, AWG26, +Red, -Black

## Characteristic Curves



## Outline



## Specifications

MODEL	Rated Voltage	Operating Voltage	Current	Input Power	Speed	Max. Air Flow		Max. Static Pressure		Noise	Mass
	(V)	(V)	(A) <sup>*1</sup>	(W) <sup>*1</sup>	(min <sup>-1</sup> ) <sup>*1</sup>	CFM <sup>*1</sup>	(m <sup>3</sup> /min) <sup>*1</sup>	in H <sub>2</sub> O	(Pa) <sup>*1</sup>	(dB) <sup>*1</sup>	(g)
10030GE-12L-YA-F0	12	7.0 ~ 13.8	0.10	1.20	2000	30.37	0.86	.13	32.9	30.0	130
10030GE-12M-YA-F0	12	7.0 ~ 13.8	0.12	1.44	2250	34.96	0.99	.17	41.8	33.0	130
10030GE-12N-YA-F0	12	7.0 ~ 13.8	0.15	1.80	2500	37.08	1.05	.20	50.7	35.5	130