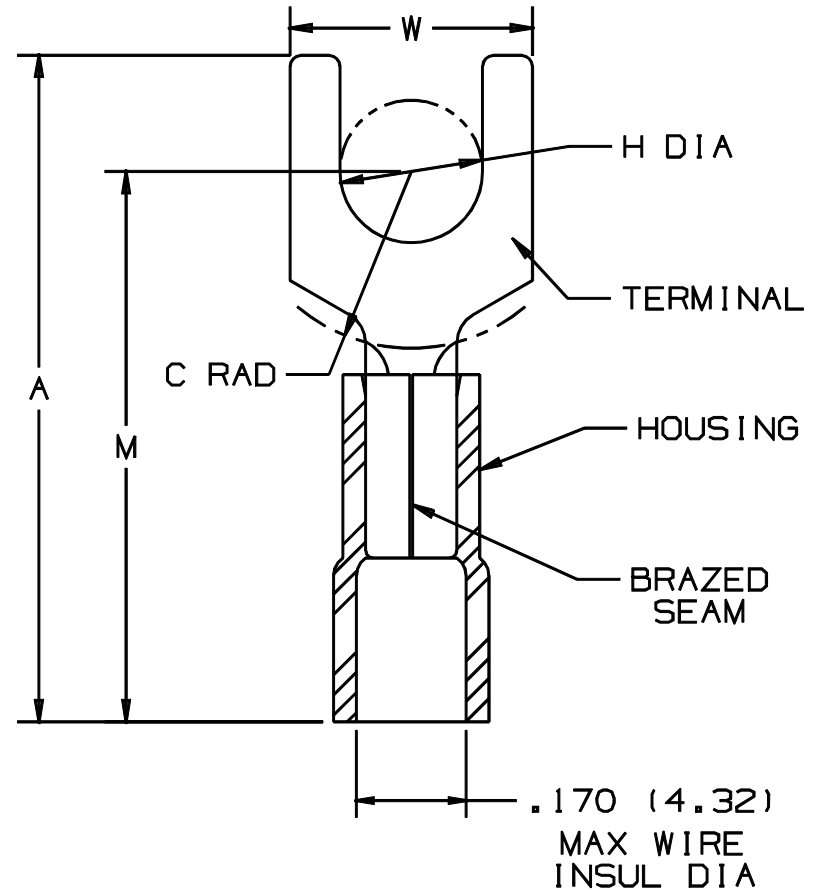


THIS COPY IS PROVIDED ON A RESTRICTED BASIS AND IS NOT TO BE USED IN ANY WAY DETRIMENTAL TO THE INTERESTS OF PANDUIT CORP.

PANDUIT PART NUMBER	STUD SIZE	DIMENSIONS in.				
		A ±.020	W ±.010	C ±.015	M ±.020	H ±.010
PV18-6FX	#6	.83 (21.08)	.30 (7.62)	.21 (5.33)	.69 (17.53)	.15 (3.81)
PV18-8FX	#8	.89 (22.61)	.32 (8.13)	.25 (6.35)	.73 (18.54)	.17 (4.32)
PV18-10FX	#10	.91 (23.11)	.35 (8.89)	.25 (6.35)	.75 (19.05)	.20 (5.08)



**NOTES :**

- UL LISTED AND CSA CERTIFIED FOR:
  - A. 600 V MAX. VOLTAGE RATING
  - B. 221°F (105°C) MAX. TEMP. RATING
  - C. #22-18 AWG SOLID OR STRANDED, COPPER WIRE
- PACKAGE QTY.: STD C=100  
BULK M=1000
- MATERIAL:
  - A. STAMPING - .032 (.81) THK COPPER, TIN PLATED
  - B. HOUSING - RED VINYL
- WIRE STRIP LENGTH: 5/16 +1/32 (7.94 +.80)  
- 00 - .00
- DIMENSIONS IN BRACKETS ARE IN MILLIMETERS
- INSTALLATION TOOLS:
  - A. UL AND CSA APPROVED: CT-100, CT-500\*, CT-550\*
  - B. PANDUIT APPROVED: CT-160, CT-260
  - \* APPROVED FOR EXPANDED WIRE RANGE #22-16 AWG



LISTED  
587H  
E52164



CERTIFIED  
LR31212

A41459\_03

REV	DATE	BY	CHK	DESCRIPTION	QA	CUST	PM	ECN#
03	1/01	RM		FILESPEC WAS NPC-A41459-02				
02	3/91	DL		TANG WIDTH INCREASED PART NO PV18-6FX, PV18-8FX, PV18-10FX				00403
--	--	--	--	REDRAWN ON CAD WITH REVISIONS	--	--	--	

**PANDUIT**

CORP.

TINLEY PARK, ILLINOIS

#22-18 BARREL VINYL INSULATED  
FORK .170 MAX WIRE INSUL DIA

DRAWN BY DRL	CHK'D	SCALE NONE	DRAWING NO. A41459
-----------------	-------	---------------	-----------------------