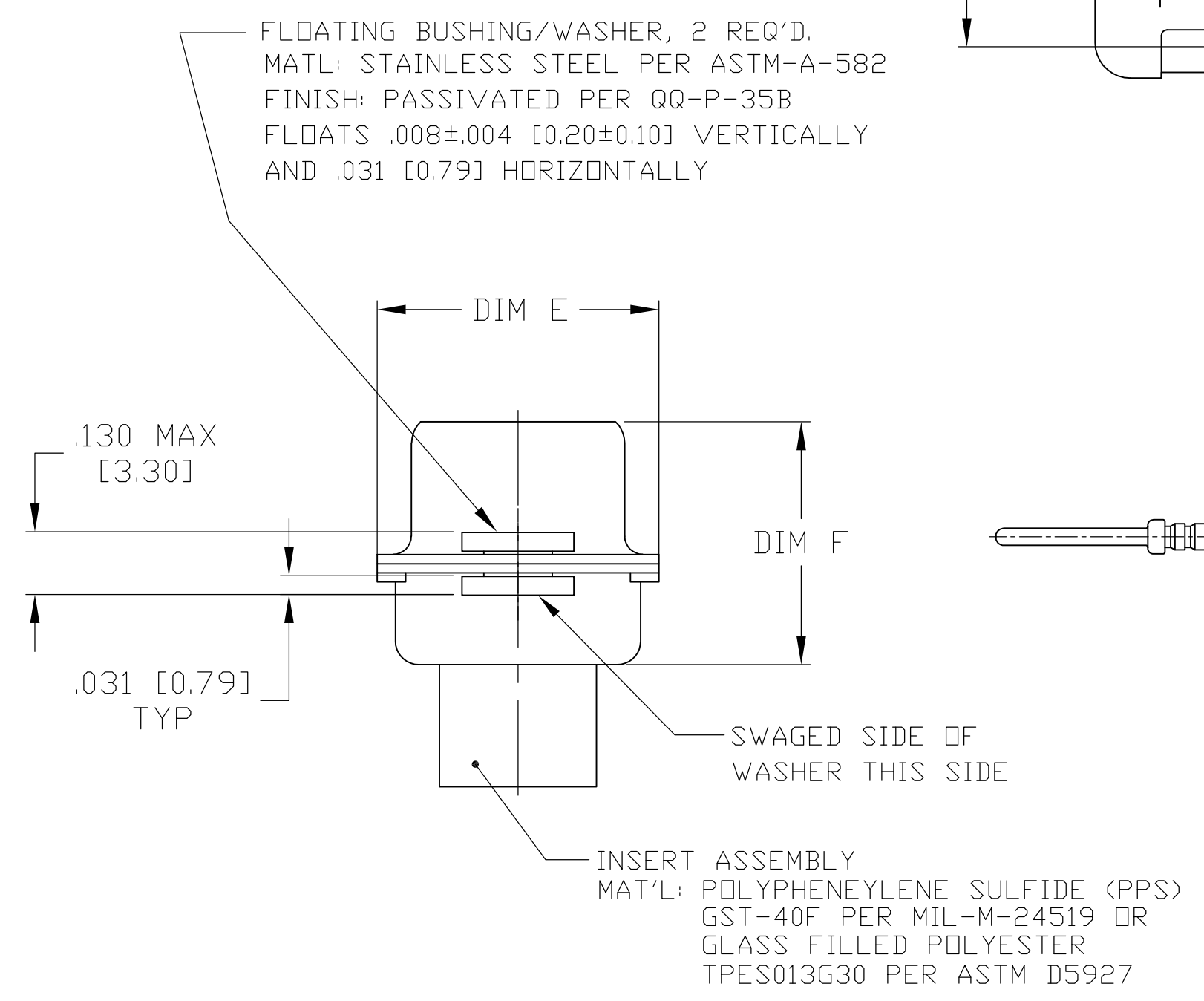
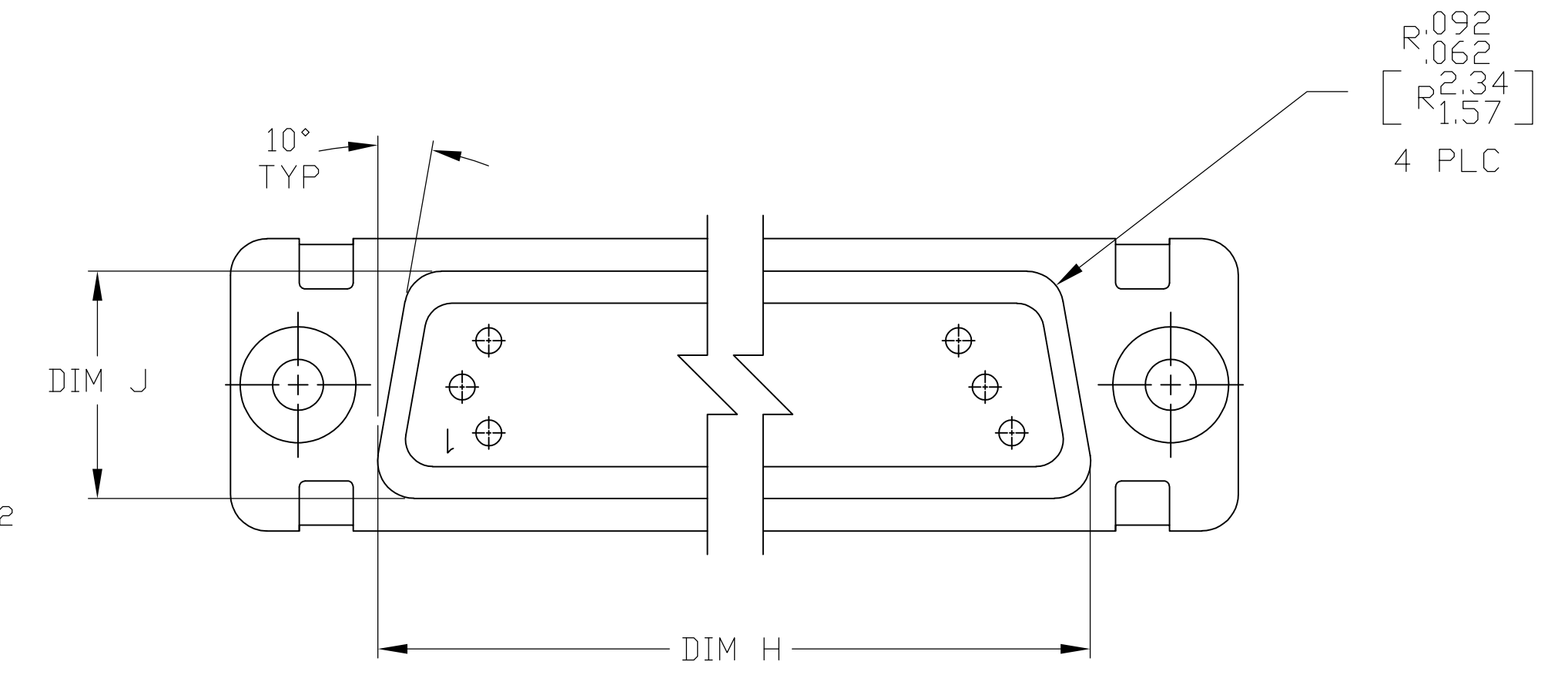


- THE CONNECTOR DESCRIBED IN THIS DOCUMENT WILL MATE WITH ANY RECEPTACLE CONNECTOR WITH THE SAME INSERT ARRANGEMENT.
- MARKED WITH .047-.062 [1.19-1.57] HIGH CHARACTERS. FAR SIDE REFERS TO THE WIDE SIDE OF THE KEYSTONE. NEAR SIDE REFERS TO THE NARROW SIDE OF THE KEYSTONE. WHEN SPACE IS LIMITED MARKING CAN BE SPLIT BETWEEN FRONT AND REAR SHELL.
- UL/CSA DESIGNATION MARKED IN THIS AREA (DOES NOT APPLY TO -6 OR -12).
- CONNECTOR ASSEMBLY WITHOUT CONTACTS, MFG'S P/N 204370-2. MUST BE ORDERED SEPARATELY.
- CONNECTOR ASSEMBLY SUPPLIED WITH CONTACTS, MFG'S P/N 204370-2. PACKAGED IN A SEPARATE CONTAINER. QTY = NO. OF POSN. (SEE TABLE).



SIZE 20 PIN CONTACT
MATERIAL: COPPER ALLOY PER MIL-C-39029 & MIL-DTL-24308.
PLATING: GOLD PER ASTM-B-488 (TYPEII) OVER NICKEL PER QQ-N-290.

MARKING	M24308/4-312Z	M24308/4-311Z	M24308/4-310Z	M24308/4-309Z	M24308/4-308Z	M24308/4-307Z	M24308/4-334Z	M24308/4-333Z	M24308/4-332Z	M24308/4-331Z	M24308/4-330Z	M24308/4-329Z	REMARKS	MILITARY P/N ON PACKAGE	MILITARY P/N ON CONNECTOR	MARKED MFG'S PART NUMBER	L	J	H	G	F	E	D	C	B	A	INSERT ARRANGEMENT	NO OF POS	SHELL SIZE	PART NUMBER
5																	.049 [1.24]	.606 [15.39]	2.312 [58.72]	.236 [5.99]	.436 [11.07]	.683 [17.35]	.508 [12.90]	2.505 [63.63]	2.217 [56.31]	2.744 [69.70]	MS14004-1	104	6	1-1757825-2
5																	.049 [1.24]	.544 [13.82]	2.188 [55.58]	.236 [5.99]	.436 [11.07]	.620 [15.75]	.446 [11.33]	2.411 [61.24]	2.084 [52.93]	2.650 [67.31]	MS18277-2	78	5	1-1757825-1
5																	.049 [1.24]	.432 [10.97]	2.282 [57.96]	.236 [5.99]	.436 [11.07]	.509 [12.93]	.334 [8.48]	2.505 [63.63]	2.187 [55.55]	2.744 [69.70]	MS18276-2	62	4	1-1757825-0
5																	.049 [1.24]	.432 [10.97]	1.635 [41.53]	.236 [5.99]	.436 [11.07]	.509 [12.93]	.334 [8.48]	1.857 [47.17]	1.539 [39.09]	2.103 [53.42]	MS18275-2	44	3	1757825-9
5																	.040 [1.02]	.432 [10.97]	1.093 [27.76]	.238 [6.05]	.432 [10.97]	.509 [12.93]	.334 [8.48]	1.317 [33.45]	.999 [25.37]	1.556 [39.52]	MS18274-2	26	2	1757825-8
5																	.040 [1.02]	.432 [10.97]	1.073 [27.25]	.229 [5.82]	.412 [10.46]	.479 [12.17]	.324 [8.23]	1.307 [33.20]	.989 [25.12]	1.526 [38.76]	MS18273-2	15	1	1757825-7
4																	.049 [1.24]	.606 [15.39]	2.312 [58.72]	.236 [5.99]	.436 [11.07]	.683 [17.35]	.508 [12.90]	2.505 [63.63]	2.217 [56.31]	2.744 [69.70]	MS14004-1	104	6	1757825-6
4																	.049 [1.24]	.544 [13.82]	2.188 [55.58]	.236 [5.99]	.436 [11.07]	.620 [15.75]	.446 [11.33]	2.411 [61.24]	2.084 [52.93]	2.650 [67.31]	MS18277-2	78	5	1757825-5
4																	.049 [1.24]	.432 [10.97]	2.282 [57.96]	.236 [5.99]	.436 [11.07]	.509 [12.93]	.334 [8.48]	2.505 [63.63]	2.187 [55.55]	2.744 [69.70]	MS18276-2	62	4	1757825-4
4																	.049 [1.24]	.432 [10.97]	1.635 [41.53]	.236 [5.99]	.436 [11.07]	.509 [12.93]	.334 [8.48]	1.857 [47.17]	1.539 [39.09]	2.103 [53.42]	MS18275-2	44	3	1757825-3
4																	.040 [1.02]	.432 [10.97]	1.093 [27.76]	.238 [6.05]	.432 [10.97]	.509 [12.93]	.334 [8.48]	1.317 [33.45]	.999 [25.37]	1.556 [39.52]	MS18274-2	26	2	1757825-2
4																	.040 [1.02]	.432 [10.97]	1.073 [27.25]	.229 [5.82]	.412 [10.46]	.479 [12.17]	.324 [8.23]	1.307 [33.20]	.989 [25.12]	1.526 [38.76]	MS18273-2	15	1	1757825-1

THIS DRAWING IS A CONTROLLED DOCUMENT.

DIN	C.C. THOMAS	6-3-05
CHK	D. MILLER	6-8-05
APP'D	D. MILLER	6-8-05

TE Connectivity

AMPLIMITE PLUG ASSY, SIZE 1 THRU 6 SERIES 90 WITH ZINC PLATING WITH FLOAT BUSHINGS

SIZE: A1 CASE CODE: 00779 DRAWING NO: 1757825 RESTRICTED TO: -

CUSTOMER DRAWING SCALE: 4:1 SHEET: 1 OF 1 REV: F