

IS43/46LD16640A IS43/46LD32320A



1Gb (x16, x32) Mobile LPDDR2 S4 SDRAM

AUGUST 2014

FEATURES

- Low-voltage Core and I/O Power Supplies
VDD2 = 1.14-1.30V, VDDCA/VDDQ = 1.14-1.30V,
VDD1 = 1.70-1.95V
- High Speed Un-terminated Logic(HSUL_12) I/O Interface
- Clock Frequency Range : 10MHz to 400MHz
(data rate range : 20Mbps to 800 Mbps per I/O)
- Four-bit Pre-fetch DDR Architecture
- Multiplexed, double data rate, command/address inputs
- Eight internal banks for concurrent operation
- Bidirectional/differential data strobe per byte of data (DQS/DQS#)
- Programmable Read/Write latencies(RL/WL) and burst lengths(4,8 or 16)
- Per-bank refresh for concurrent operation
- ZQ Calibration
- On-chip temperature sensor to control self refresh rate
- Partial –array self refresh(PASR) – Bank & Segment masking
- Deep power-down mode(DPD)
- Operation Temperature
Commercial (T_c = 0°C to 85°C)
Industrial (T_c = -40°C to 85°C)
Automotive, A1 (T_c = -40°C to 85°C)
Automotive, A2 (T_c = -40°C to 105°C)

OPTIONS

- Configuration:
 - 64Mx16 (8M x 16 x 8 banks)
 - 32Mx32 (4M x 32 x 8 banks)
- Package:
 - 134-ball BGA for x16 / x32
 - 168-ball PoP BGA for x32

DESCRIPTION

The IS43/46LD16640A/32320A is 1,073,741,824 bits CMOS Mobile Double Data Rate Synchronous DRAMs organized as 8 banks (S4). The device is organized as 8 banks of 8Meg words of 16bits or 4Meg words of 32bits. This product uses a double-data-rate architecture to achieve high-speed operation. The double data rate architecture is essentially a 4N prefetch architecture with an interface designed to transfer two data words per clock cycle at the I/O pins. This product offers fully synchronous operations referenced to both rising and falling edges of the clock. The data paths are internally pipelined and 4n bits prefetched to achieve very high bandwidth.

ADDRESS TABLE

| Parameter | 32Mx32 | 64Mx16 |
|------------------|---------|---------|
| Row Addresses | R0-R12 | R0-R12 |
| Column Addresses | C0-C8 | C0-C9 |
| Bank Addresses | BA0-BA2 | BA0-BA2 |
| Refresh Count | 4K | 4K |

KEY TIMING PARAMETERS

| Speed Grade | Data Rate (Mb/s) | Write Latency | Read Latency | tRCD/tRP |
|-------------|------------------|---------------|--------------|----------|
| -25 | 800 | 3 | 6 | Typical |
| -3 | 667 | 2 | 5 | Typical |

Note: Other clock frequencies/data rates supported; please refer to AC timing tables.

Copyright © 2014 Integrated Silicon Solution, Inc. All rights reserved. ISSI reserves the right to make changes to this specification and its products at any time without notice. ISSI assumes no liability arising out of the application or use of any information, products or services described herein. Customers are advised to obtain the latest version of this device specification before relying on any published information and before placing orders for products.

Integrated Silicon Solution, Inc. does not recommend the use of any of its products in life support applications where the failure or malfunction of the product can reasonably be expected to cause failure of the life support system or to significantly affect its safety or effectiveness. Products are not authorized for use in such applications unless Integrated Silicon Solution, Inc. receives written assurance to its satisfaction, that:

- a.) the risk of injury or damage has been minimized;
- b.) the user assume all such risks; and
- c.) potential liability of Integrated Silicon Solution, Inc is adequately protected under the circumstances

BALL ASSIGNMENTS AND DESCRIPTIONS

134-ball FBGA (x32), 0.65mm pitch

| | 1 | 2 | 3 | 4 | 5 | 6 | 7 | 8 | 9 | 10 | |
|---|-------|-------|----------|---|--------|--------|------|--------|----------|------|---|
| A | DNU | DNU | | | | | | | DNU | DNU | A |
| B | DNU | NC | NC | | VDD2 | VDD1 | DQ31 | DQ29 | DQ26 | DNU | B |
| C | VDD1 | VSS | RFU | | VSS | VSSQ | VDDQ | DQ25 | VSSQ | VDDQ | C |
| D | VSS | VDD2 | ZQ | | VDDQ | DQ30 | DQ27 | DQS3_t | DQS3_c | VSSQ | D |
| E | VSSCA | CA9 | CA8 | | DQ28 | DQ24 | DM3 | DQ15 | VDDQ | VSSQ | E |
| F | VDDCA | CA6 | CA7 | | VSSQ | DQ11 | DQ13 | DQ14 | DQ12 | VDDQ | F |
| G | VDD2 | CA5 | Vref(CA) | | DQS1_c | DQS1_t | DQ10 | DQ9 | DQ8 | VSSQ | G |
| H | VDDCA | VSS | CK_c | | DM1 | VDDQ | | | | | H |
| J | VSSCA | NC | CK_t | | VSSQ | VDDQ | VDD2 | VSS | Vref(DQ) | | J |
| K | CKE | RFU | RFU | | DM0 | VDDQ | | | | | K |
| L | CS_n | RFU | RFU | | DQS0_c | DQS0_t | DQ5 | DQ6 | DQ7 | VSSQ | L |
| M | CA4 | CA3 | CA2 | | VSSQ | DQ4 | DQ2 | DQ1 | DQ3 | VDDQ | M |
| N | VSSCA | VDDCA | CA1 | | DQ19 | DQ23 | DM2 | DQ0 | VDDQ | VSSQ | N |
| P | VSS | VDD2 | CA0 | | VDDQ | DQ17 | DQ20 | DQS2_t | DQS2_c | VSSQ | P |
| R | VDD1 | VSS | NC | | VSS | VSSQ | VDDQ | DQ22 | VSSQ | VDDQ | R |
| T | DNU | NC | NC | | VDD2 | VDD1 | DQ16 | DQ18 | DQ21 | DNU | T |
| U | DNU | DNU | | | | | | | DNU | DNU | U |

- DQ
- CA
- Power
- Ground
- No ball
- ZQ
- Clock
- NC, DNU, RFU

Top View (ball down)

BALL ASSIGNMENTS AND DESCRIPTIONS

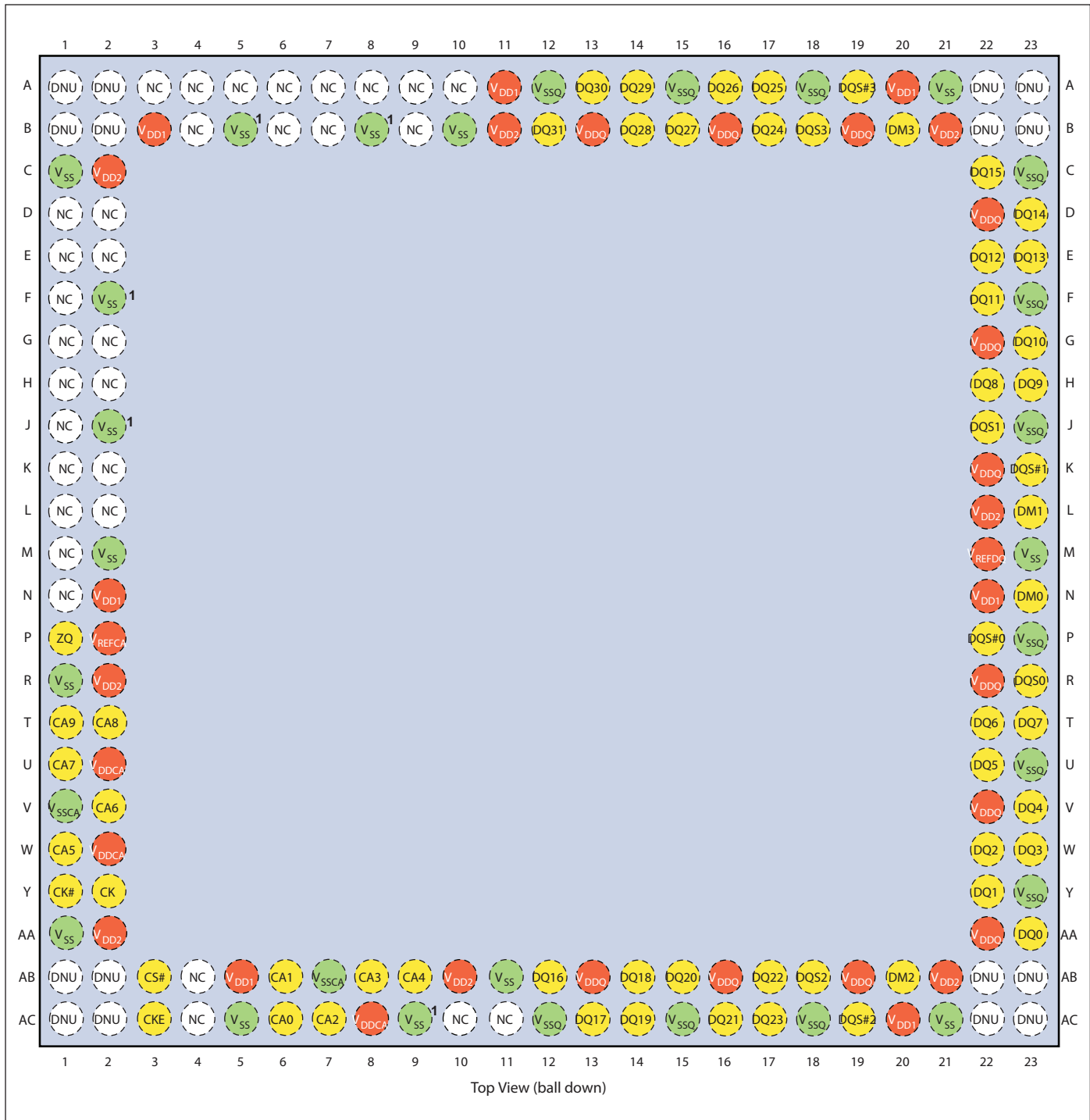
134-ball FBGA (x16), 0.65mm pitch

| | 1 | 2 | 3 | 4 | 5 | 6 | 7 | 8 | 9 | 10 | |
|---|-------|-------|----------|---|--------|--------|------|------|----------|------|---|
| A | DNU | DNU | | | | | | | DNU | DNU | A |
| B | DNU | NC | NC | | VDD2 | VDD1 | NC | NC | NC | DNU | B |
| C | VDD1 | VSS | RFU | | VSS | VSSQ | VDDQ | NC | VSSQ | VDDQ | C |
| D | VSS | VDD2 | ZQ | | VDDQ | NC | NC | NC | NC | VSSQ | D |
| E | VSSCA | CA9 | CA8 | | NC | NC | NC | DQ15 | VDDQ | VSSQ | E |
| F | VDDCA | CA6 | CA7 | | VSSQ | DQ11 | DQ13 | DQ14 | DQ12 | VDDQ | F |
| G | VDD2 | CA5 | Vref(CA) | | DQS1_c | DQS1_t | DQ10 | DQ9 | DQ8 | VSSQ | G |
| H | VDDCA | VSS | CK_c | | DM1 | VDDQ | | | | | H |
| J | VSSCA | NC | CK_t | | VSSQ | VDDQ | VDD2 | VSS | Vref(DQ) | | J |
| K | CKE | RFU | RFU | | DM0 | VDDQ | | | | | K |
| L | CS_n | RFU | RFU | | DQS0_c | DQS0_t | DQ5 | DQ6 | DQ7 | VSSQ | L |
| M | CA4 | CA3 | CA2 | | VSSQ | DQ4 | DQ2 | DQ1 | DQ3 | VDDQ | M |
| N | VSSCA | VDDCA | CA1 | | NC | NC | NC | DQ0 | VDDQ | VSSQ | N |
| P | VSS | VDD2 | CA0 | | VDDQ | NC | NC | NC | NC | VSSQ | P |
| R | VDD1 | VSS | NC | | VSS | VSSQ | VDDQ | NC | VSSQ | VDDQ | R |
| T | DNU | NC | NC | | VDD2 | VDD1 | NC | NC | NC | DNU | T |
| U | DNU | DNU | | | | | | | DNU | DNU | U |

| | |
|--|--------------|
| | DQ |
| | CA |
| | Power |
| | Ground |
| | No ball |
| | ZQ |
| | Clock |
| | NC, DNU, RFU |

Top View (ball down)

168-ball FBGA - 12mm x 12mm (x32), 0.5mm pitch



- Note:**
1. Balls labeled V_{SS}¹ (at coordinates B5, B8, F2, J2, AC9) may be connected to V_{SS} or left unconnected.
 2. Balls indicated as (NC) are no connects.

INPUT/OUTPUT FUNCTIONAL DESCRIPTION

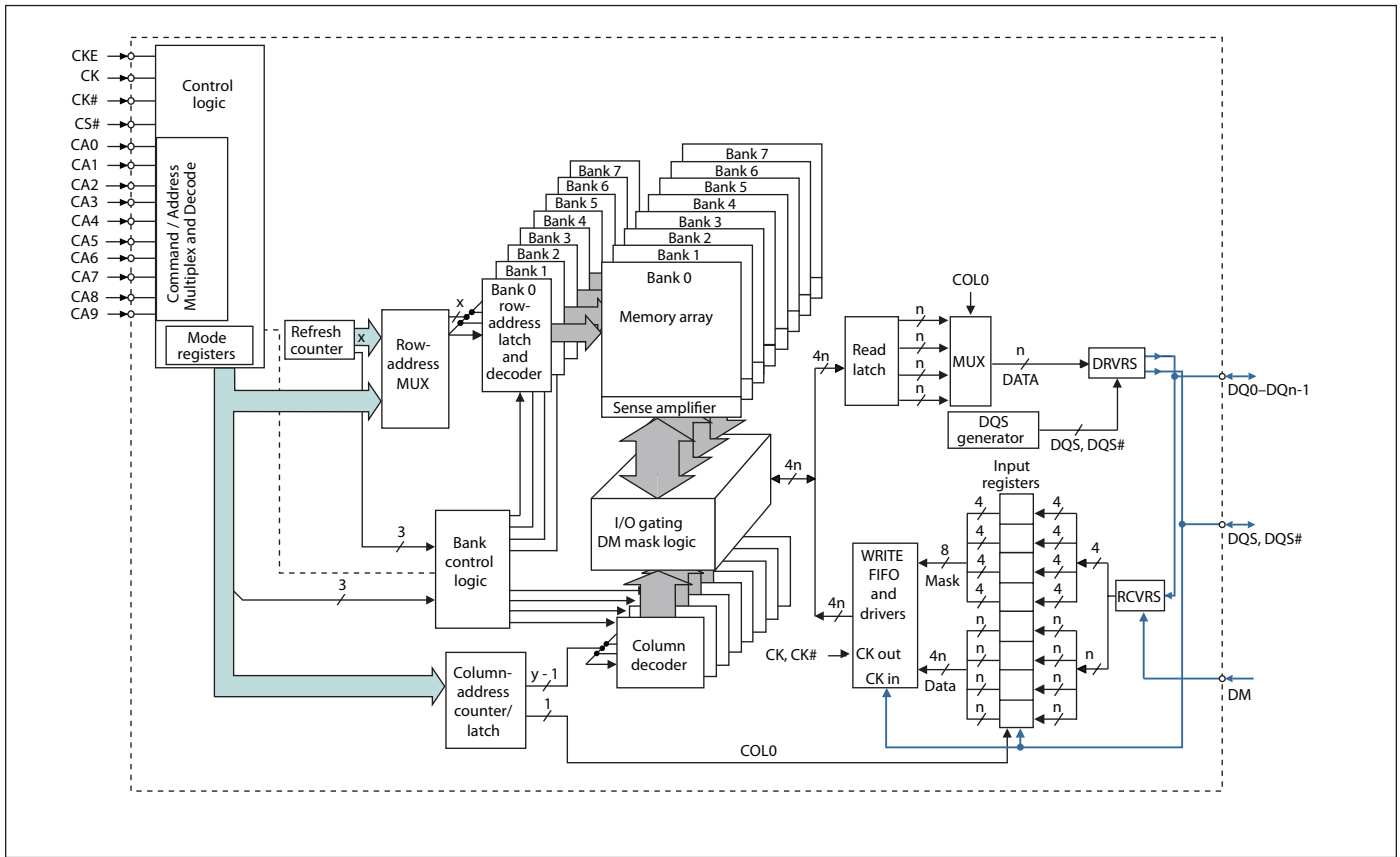
Pad Definition and Description

| Name | Type | Description |
|--|-------|--|
| CK_t, CK_c | Input | Clock: CK_t and CK_c are differential clock inputs. All Double Data Rate (DDR) CA inputs are sampled on both positive and negative edge of CK_t. Single Data Rate (SDR) inputs, CS_n and CKE, are sampled at the positive Clock edge. Clock is defined as the differential pair, CK_t and CK_c. The positive Clock edge is defined by the crosspoint of a rising CK_t and a falling CK_c. The negative Clock edge is defined by the crosspoint of a falling CK_t and a rising CK_c. |
| CKE | Input | Clock Enable: CKE HIGH activates and CKE LOW deactivates internal clock signals and therefore device input buffers and output drivers. Power savings modes are entered and exited through CKE transitions. CKE is considered part of the command code. See Command Truth Table for command code descriptions. CKE is sampled at the positive Clock edge. |
| CS_n | Input | Chip Select: CS_n is considered part of the command code. See Command Truth Table for command code descriptions. CS_n is sampled at the positive Clock edge. |
| CA0 - CA9 | Input | DDR Command/Address Inputs: Uni-directional command/address bus inputs. CA is considered part of the command code. See Command Truth Table for command code descriptions. |
| DQ0 - DQ15 (x16) DQ0 - DQ31 (x32) | I/O | Data Inputs/Output: Bi-directional data bus |
| DQS0_t, DQS0_c, DQS1_t, DQS1_c (x16) DQS0_t - DQS3_t, DQS0_c - DQS3_c (x32) | I/O | Data Strobe (Bi-directional, Differential): The data strobe is bi-directional (used for read and write data) and differential (DQS_t and DQS_c). It is output with read data and input with write data. DQS_t is edge-aligned to read data and centered with write data. For x16, DQS0_t and DQS0_c correspond to the data on DQ0 - DQ7; DQS1_t and DQS1_c to the data on DQ8 - DQ15. For x32 DQS0_t and DQS0_c correspond to the data on DQ0 - DQ7, DQS1_t and DQS1_c to the data on DQ8 - DQ15, DQS2_t and DQS2_c to the data on DQ16 - DQ23, DQS3_t and DQS3_c to the data on DQ24 - DQ31. |
| DM0-DM1 (x16) DM0 - DM3 (x32) | Input | Input Data Mask: For LPDDR2 devices that do not support the DNV feature, DM is the input mask signal for write data. Input data is masked when DM is sampled HIGH coincident with that input data during a Write access. DM is sampled on both edges of DQS_t. Although DM is for input only, the DM loading shall match the DQ and DQS_t (or DQS_c). DM0 is the input data mask signal for the data on DQ0-7. For x16 and x32 devices, DM1 is the input data mask signal for the data on DQ8-15. For x32 devices, DM2 is the input data mask signal for the data on DQ16-23 and DM3 is the input data mask signal for the data on DQ24-31. |

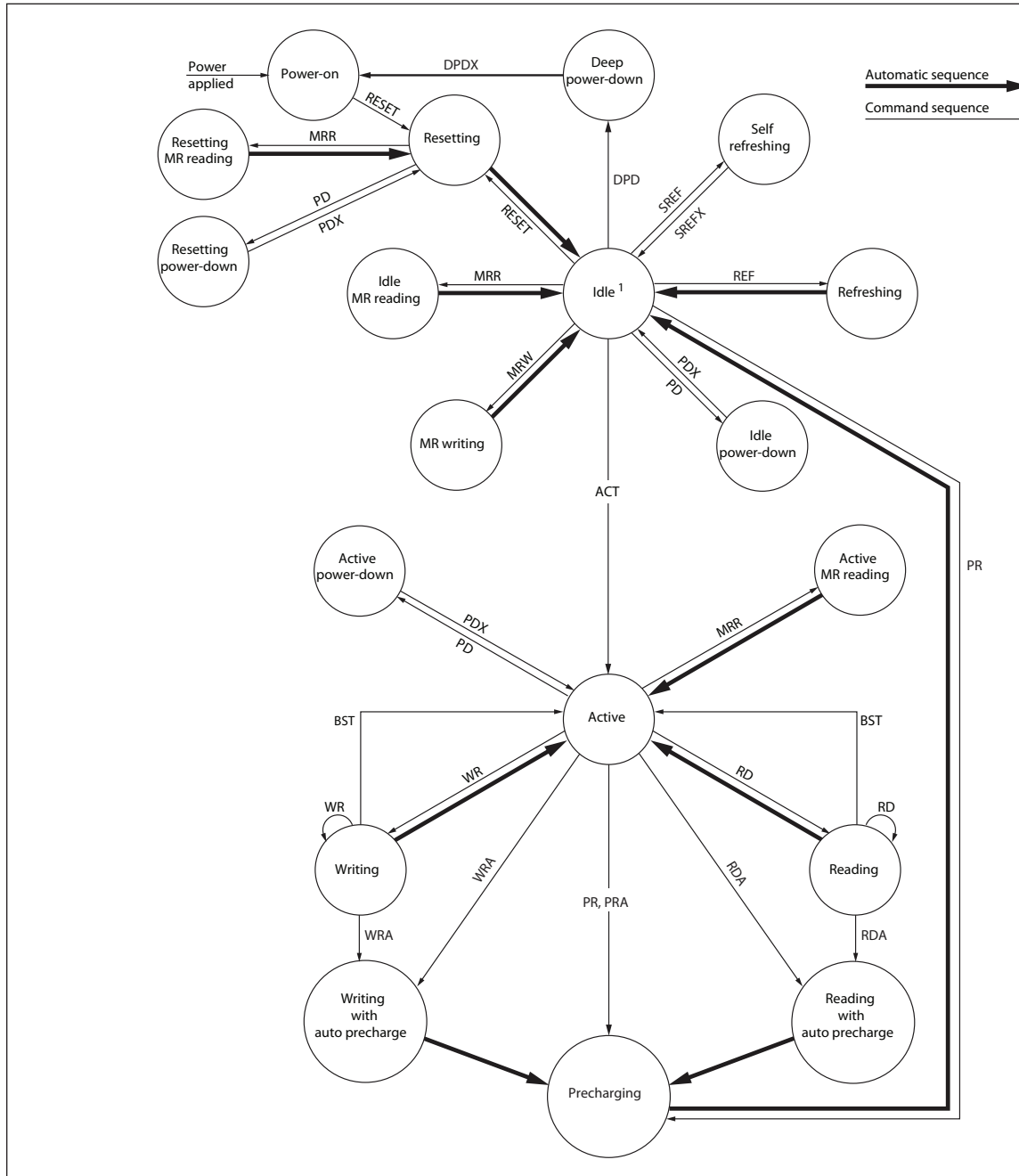
| Name | Type | Description |
|----------------------|--------|---|
| V _{DD1} | Supply | Core Power Supply 1 |
| V _{DD2} | Supply | Core Power Supply 2 |
| V _{DDCA} | Supply | Input Receiver Power Supply: Power supply for CA0-9, CKE, CS _n , CK _t , and CK _c input buffers. |
| V _{DDQ} | Supply | I/O Power Supply: Power supply for Data input/output buffers. |
| V _{REF(CA)} | Supply | Reference Voltage for CA Command and Control Input Receiver: Reference voltage for all CA0-9, CKE, CS _n , CK _t , and CK _c input buffers. |
| V _{REF(DQ)} | Supply | Reference Voltage for DQ Input Receiver: Reference voltage for all Data input buffers. |
| V _{SS} | Supply | Ground |
| V _{SSCA} | Supply | Ground for Input Receivers |
| V _{SSQ} | Supply | I/O Ground |
| ZQ | I/O | Reference Pin for Output Drive Strength Calibration |

NOTE 1 Data includes DQ and DM.

FUNCTIONAL BLOCK DIAGRAM



SIMPLIFIED STATE DIAGRAM



| Abbreviation | Function | Abbreviation | Function | Abbreviation | Function |
|--------------|---------------------------|--------------|---------------------------------------|--------------|--------------------|
| ACT | Active | PD | Enter Power Down | REF | Refresh |
| RD(A) | Read (w/ Autopre-charge) | PDX | Exit Power Down | SREF | Enter self refresh |
| WR(A) | Write (w/ Autopre-charge) | DPD | Enter Deep Power Down | SREFX | Exit self refresh |
| PR(A) | Precharge (All) | DPDX | Exit Deep Power Down | | |
| MRW | Mode Register Write | BST | Burst Terminate | | |
| MRR | Mode Register Read | RESET | Reset is achieved through MRW command | | |

Note: For LPDDR2-S4 SDRAM in the idle state, all banks are precharged.

FUNCTIONAL DESCRIPTION

LPDDR2-S4 is a high-speed SDRAM device internally configured as an 8-Bank memory. This device contains 1,073,741,824 bits (1 Gigabit)

All LPDDR2 devices use a double data rate architecture on the Command/Address (CA) bus to reduce the number of input pins in the system. The 10-bit CA bus contains command, address, and Bank/Row Buffer information. Each command uses one clock cycle, during which command information is transferred on both the positive and negative edge of the clock.

This LPDDR2-S4 device also uses a double data rate architecture on the DQ pins to achieve high speed operation. The double data rate architecture is essentially a 4n prefetch architecture with an interface designed to transfer two data bits per DQ every clock cycle at the I/O pins. A single read or write access for the memory device effectively consists of a single 4n-bit wide, one clock cycle data transfer at the internal SDRAM core and four corresponding n-bit wide, one-half-clock-cycle data transfers at the I/O pins.

Read and write accesses to the LPDDR2 are burst oriented; accesses start at a selected location and continue for a programmed number of locations in a programmed sequence.

Accesses begin with the registration of an Activate command, which is then followed by a Read or Write command. The address and BA bits registered coincident with the Activate command are used to select the row and the Bank to be accessed. The address bits registered coincident with the Read or Write command are used to select the Bank and the starting column location for the burst access.

Prior to normal operation, the LPDDR2 must be initialized. The following section provides detailed information covering device initialization, register definition, command description and device operation.

POWER-UP AND INITIALIZATION

DDR2 SDRAMs must be powered up and initialized in a predefined manner. Operational procedures other than those specified may result in undefined operation.

The following sequence is required for Power-up and Initialization.

1. Voltage ramp up sequence is required :

A. While applying power, attempt to maintain CKE below $0.2 \times VDDCA$ and all other inputs must be between VIL_{min} and VIH_{max} . The device outputs remain at High-Z while CKE is held LOW. The voltage ramp time t_{INIT0} ($T_b - T_a$) must be no greater than 20 ms from T_b which is point for all supply and reference voltage are within their defined operating ranges, to T_a which is point for any power supply first reaches 300mV.

B. The following conditions apply for voltage ramp after T_a is reached,

- VDD1 must be greater than $VDD2 - 200mV$ AND
- VDD1 and VDD2 must be greater than $VDDCA - 200mV$ AND
- VDD1 and VDD2 must be greater than $VDDQ - 200mV$ AND
- VREF must always be less than all other supply voltages
- The voltage difference between any of VSS, VSSQ, and VSSCA pins must not exceed 100mV

2. Start clock and maintain stable condition.

Beginning at T_b , CKE must remain LOW for at least $t_{INIT1} = 100$ ns, after which CKE can be asserted HIGH. The clock must be stable at least $t_{INIT2} = 5 \times t_{CK}$ prior to the first CKE LOW-to-HIGH transition (T_c). CKE, /CS, and CA inputs must observe setup and hold requirements (t_{IS} , t_{IH}) with respect to the first rising clock edge (and to subsequent falling and rising edges).

Once the ramping of the supply voltages is complete (T_b), CKE must be maintained LOW. DQ, DM, DQS and DQS# voltage levels must be between VSSQ and VDDQ during voltage ramp to avoid latchup. CK, /CK, /CS, and CA input levels must be between VSSCA and VDDCA during voltage ramp to avoid latch-up

If any Mode Register Read (MRRs) are issued, the clock period must be within the range defined for t_{CKb} (18ns to 100ns). Mode Register Write (MRWs) can be issued at normal clock frequencies as long as all AC timings are met. Some AC parameters could have relaxed timings before the system is appropriately configured. While keeping CKE HIGH, NOP commands must be issued for at least $t_{INIT3} = 200\mu s$ (T_d).

3. RESET Command

After t_{INIT3} is satisfied, the MRW RESET command must be issued (T_d).

An optional PRECHARGE ALL command can be issued prior to the MRW RESET command. Wait at least t_{INIT4} while keeping CKE asserted and issuing NOP commands

4. Mode Register Reads and Device Auto Initialization (DAI) Polling:

After t_{INIT4} is satisfied (T_e), only MRR commands and power-down entry/exit commands are supported. After T_e , CKE can go LOW in alignment with power-down entry and exit specifications.

Use the MRR command to poll the DAI bit and report when device auto initialization is complete; otherwise, the controller must wait a minimum of t_{INIT5} , or until the DAI bit is set before proceeding.

As the memory output buffers are not properly configured by T_e , some AC parameters must have relaxed timings before the system is appropriately configured. After the DAI bit (MR0, DAI) is set to zero by the memory device (DAI complete), the device is in the idle state (T_f). DAI status can be determined by issuing the MRR command to MR0. The device sets the DAI bit no later than t_{INIT5} after the RESET command. The controller must wait at least t_{INIT5} or until the DAI bit is set before proceeding

5. ZQ Calibration

After t_{INIT5} (T_f), the MRR initialization calibration (ZQ_CAL) command can be issued to the memory (MR10). This command is used to calibrate output impedance over process, voltage, and temperature. In systems where more than one LPDDR2 device exists on the same bus, the controller must not overlap MRR ZQ_CAL commands. The device is ready for normal operation after t_{ZQINIT} .

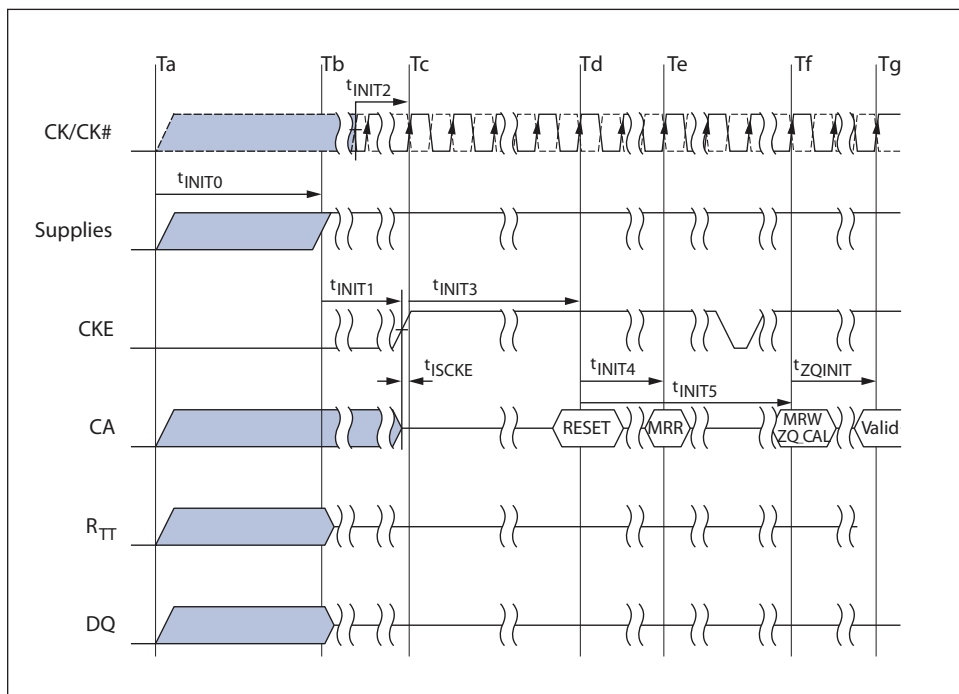
6. Normal Operation

After t_{ZQINIT} (T_g), MRW commands must be used to properly configure the memory. Specifically, MR1, MR2, and MR3 must be set to configure the memory for the target frequency and memory configuration. After the initialization sequence is complete, the device is ready for any valid command. After T_g , the clock frequency can be changed using the procedure described in Input Clock Frequency Changes and Clock Stop EventsII.

INITIALIZATION TIMING

| Symbol | Parameter | Value | | Unit |
|--------------|---|-------|-----|------|
| | | min | max | |
| t_{INIT0} | Maximum Power Ramp Time | - | 20 | ms |
| t_{INIT1} | Minimum CKE low time after completion of power ramp | 100 | - | ns |
| t_{INIT2} | Minimum stable clock before first CKE high | 5 | - | tCK |
| t_{INIT3} | Minimum idle time after first CKE assertion | 200 | - | us |
| t_{INIT4} | Minimum idle time after Reset command, this time will be about 2 x $t_{RFCab} + t_{RPaB}$ | 1 | - | us |
| t_{INIT5} | Maximum duration of Device Auto-Initialization | - | 10 | us |
| t_{CKb} | Clock cycle time during boot | 18 | 100 | ns |
| t_{ZQINIT} | ZQ initial calibration | 1 | - | us |

Figure - Power Ramp and Initialization Sequence



Initialization After RESET (without voltage ramp):

If the RESET command is issued before or after the power-up initialization sequence, the re-initialization procedure must begin at T_d .

Power-Off Sequence

Use the following sequence to power off the device. Unless specified otherwise, this procedure is mandatory and applies to S4 devices.

While powering off, CKE must be held LOW ($\leq 0.2 \times VDDCA$); all other inputs must be between V_{ILmin} and V_{IHmax} . The device outputs remain at High-Z while CKE is held LOW.

DQ, DM, DQS, and /DQS voltage levels must be between $VSSQ$ and $VDDQ$ during the power-off sequence to avoid latch-up. CK, /CK, /CS, and CA input levels must be between $VSSCA$ and $VDDCA$ during the power-off sequence to avoid latch-up.

Tx is the point where any power supply drops below the minimum value specified in the DC operating condition table.

Tz is the point where all power supplies are below 300mV. After Tz, the device is powered off

Required Power Supply Conditions Between Tx and Tz:

- VDD1 must be greater than $VDD2 - 200mV$
- VDD1 must be greater than $VDDCA - 200mV$
- VDD1 must be greater than $VDDQ - 200mV$
- VREF must always be less than all other supply voltages

The voltage difference between VSS, VSSQ, and VSSCA must not exceed 100mV.

For supply and reference voltage operating conditions, see Recommended DC Operating Conditions table.

Uncontrolled Power-Off Sequence

When an uncontrolled power-off occurs, the following conditions must be met:

1. At Tx, when the power supply drops below the minimum values specified, all power supplies must be turned off and all power-supply current capacity must be at zero, except for any static charge remaining in the system.

2. After Tz, the device must power off. The time between Tx and Tz must not exceed 20ms. During this period, the relative voltage between power supplies is uncontrolled. VDD1 and VDD2 must decrease with a slope lower than $0.5 V/\mu s$ between Tx and Tz.

An uncontrolled power-off sequence can occur a maximum of 400 times over the life of the device

Mode Register Definition

LPDDR2 devices contain a set of mode registers used for programming device operating parameters, reading device information and status, and for initiating special operations such as DQ calibration, ZQ calibration, and device reset.

Mode Register Assignment

The MRR command is used to read from a register. The MRW command is used to write to a register.

| Mode Register Assignment | | | | | | | | | | | |
|--------------------------|----------------------------------|-----------------|--------|---------------------------|-------|---------|-----|---------|--------------|------|-----|
| MR# | MA <7:0> | Function | Access | OP7 | OP6 | OP5 | OP4 | OP3 | OP2 | OP1 | OP0 |
| 0 | 00 _H | Device Info. | R | (RFU) | | | | | | DI | DAI |
| 1 | 01 _H | Device Feature1 | W | nWR (for AP) | | | WC | BT | BL | | |
| 2 | 02 _H | Device Feature2 | W | (RFU) | | | | RL & WL | | | |
| 3 | 03 _H | I/O Config-1 | W | (RFU) | | | | DS | | | |
| 4 | 04 _H | Refresh Rate | R | TUF | (RFU) | | | | Refresh Rate | | |
| 5 | 05 _H | Basic Config-1 | R | LPDDR2 Manufacturer ID | | | | | | | |
| 6 | 06 _H | Basic Config-2 | R | Revision ID1 | | | | | | | |
| 7 | 07 _H | Basic Config-3 | R | Revision ID2 | | | | | | | |
| 8 | 08 _H | Basic Config-4 | R | I/O width | | Density | | | | Type | |
| 9 | 09 _H | Test Mode | W | Vendor-Specific Test Mode | | | | | | | |
| 10 | 0A _H | IO Calibration | W | Calibration Code | | | | | | | |
| 11~15 | 0B _H ~0F _H | (reserved) | | (RFU) | | | | | | | |

| Mode Register Assignment | | | | | | | | | | | |
|--------------------------|----------------------------------|------------|--------|--------------|-----|-----|-----|-----|-----|-----|-----|
| MR# | MA <7:0> | Function | Access | OP7 | OP6 | OP5 | OP4 | OP3 | OP2 | OP1 | OP0 |
| 16 | 10 _H | PASR_BANK | W | Bank Mask | | | | | | | |
| 17 | 11 _H | PASR_Seg | W | Segment Mask | | | | | | | |
| 18-19 | 12 _H -13 _H | (Reserved) | | (RFU) | | | | | | | |

| Mode Register Assignment | | | | | | | | | | | |
|---|----------------------------------|---------------------------|--------|--|-----|-----|-----|-----|-----|-----|-------|
| MR# | MA <7:0> | Function | Access | OP7 | OP6 | OP5 | OP4 | OP3 | OP2 | OP1 | OP0 |
| 20-31 | 18 _H -1F _H | Reserved | | | | | | | | | |
| Mode Register Assignment (Reset Command & RFU part) | | | | | | | | | | | |
| MR# | MA <7:0> | Function | Access | OP7 | OP6 | OP5 | OP4 | OP3 | OP2 | OP1 | OP0 |
| 32 | 20 _H | DQ calibration pattern A | R | See "Data Calibration Pattern Description" | | | | | | | |
| 33-39 | 21 _H -27 _H | (Do Not Use) | | | | | | | | | |
| 40 | 28 _H | DQ calibration pattern B | R | See "Data Calibration Pattern Description" | | | | | | | |
| 41-47 | 29 _H -2F _H | (Do Not Use) | | | | | | | | | |
| 48-62 | 30 _H -3E _H | (Reserved) | | | | | | | | | (RFU) |
| 63 | 3F _H | Reset | W | | | | | | | | X |
| 64-126 | 40 _H -7E _H | (Reserved) | | | | | | | | | (RFU) |
| 127 | 7F _H | (Do Not Use) | | | | | | | | | |
| 128-190 | 80 _H -BE _H | (Reserved for Vendor Use) | | | | | | | | | (RFU) |
| 191 | BF _H | (Do Not Use) | | | | | | | | | |
| 192-254 | C0 _H -FE _H | (Reserved for Vendor Use) | | | | | | | | | (RFU) |
| 255 | FF _H | (Do Not Use) | | | | | | | | | |

Notes:

1. RFU bits shall be set to '0' during Mode Register writes.
2. RFU bits shall be read as '0' during Mode Register reads.
3. All Mode Registers that are specified as RFU or write-only shall return undefined data when read and DQS shall be toggled.
4. All Mode Registers that are specified as RFU shall not be written.
5. See Vendor Device Datasheets for details on Vendor Specific Mode Registers.
6. Writes to read-only registers shall have no impact on the functionality of the device.

| MR0_Device Information (MA<7:0> = 00 _H): | | | | | | | | | | | |
|--|-----|---|-----|-----|-----|-----------|-----|---|--|--|--|
| OP7 | OP6 | OP5 | OP4 | OP3 | OP2 | OP1 | OP0 | | | | |
| (RFU) | | | | | | DI | DAI | | | | |
| OP1 | | DI (Device Information) | | | | Read-only | | 0 _B : SDRAM 1 _B : Do Not Use | | | |
| OP0 | | DAI (Device Auto-Initialization Status) | | | | Read-only | | 0 _B : DAI complete 1 _B : DAI still in progress | | | |

| MR1_Devcie Feature 1 (MA<7:0> = 01 _H): | | | | | | | | |
|--|-------------------------------|-----|-----|------------|-----|--|-----|--|
| OP7 | OP6 | OP5 | OP4 | OP3 | OP2 | OP1 | OP0 | |
| nWR (for AP) | | WC | BT | BL | | | | |
| OP<2:0> | BL (Burst Length) | | | Write-only | | 010 _B : BL4 (default) 011 _B : BL8 100 _B : BL16 All others: reserved | | |
| OP3 | BT ^{*1} (Burst Type) | | | Write-only | | 0 _B : Sequential (default) 1 _B : Interleaved | | |
| OP4 | WC (Wrap) | | | Write-only | | 0 _B : Wrap (default) 1 _B : No wrap (allowed for SDRAM BL4 only) | | |
| OP<7:5> | nWR ^{*2} | | | Write-only | | 001 _B : nWR=3 (default) 010 _B : nWR=4 011 _B : nWR=5 100 _B : nWR=6 101 _B : nWR=7 110 _B : nWR=8 All others: reserved | | |

Notes:

1. BL16, interleaved is not an official combination to be supported.
2. Programmed value in nWR register is the number of clock cycles which determines when to start internal precharge operation for a write burst with AP enabled. It is determined by RU(tWR/tCK)

| Burst Sequence by BL, BT, and WC | | | | | | | | | | | | | | | | | | | | | | |
|----------------------------------|----|----------------|----------------|------|-----|----|---|-----|-----|-----|---|---|---|---|---|----|----|----|----|----|----|----|
| C3 | C2 | C1 | C0 | WC | BT | BL | Burst Cycle Number and Burst Address Sequence | | | | | | | | | | | | | | | |
| | | | | | | | 1 | 2 | 3 | 4 | 5 | 6 | 7 | 8 | 9 | 10 | 11 | 12 | 13 | 14 | 15 | 16 |
| x | x | 0 _B | 0 _B | wrap | any | 4 | 0 | 1 | 2 | 3 | | | | | | | | | | | | |
| x | x | 1 _B | 0 _B | | | | 2 | 3 | 0 | 1 | | | | | | | | | | | | |
| x | x | x | 0 _B | nw | any | | y | y+1 | y+2 | y+3 | | | | | | | | | | | | |
| | | | | | | | | | | | | | | | | | | | | | | |

| C3 | C2 | C1 | C0 | WC | BT | BL | Burst Cycle Number and Burst Address Sequence | | | | | | | | | | | | | | | | | | |
|----------------|----------------|----------------|----------------|------|-----|-----|---|---|---|---|---|---|---|---|---|----|----|----|----|----|----|----|--|--|--|
| | | | | | | | 1 | 2 | 3 | 4 | 5 | 6 | 7 | 8 | 9 | 10 | 11 | 12 | 13 | 14 | 15 | 16 | | | |
| x | 0 _B | 0 _B | 0 _B | wrap | seq | 8 | 0 | 1 | 2 | 3 | 4 | 5 | 6 | 7 | | | | | | | | | | | |
| x | 0 _B | 1 _B | 0 _B | | | | 2 | 3 | 4 | 5 | 6 | 7 | 0 | 1 | | | | | | | | | | | |
| x | 1 _B | 0 _B | 0 _B | | | | 4 | 5 | 6 | 7 | 0 | 1 | 2 | 3 | | | | | | | | | | | |
| x | 1 _B | 1 _B | 0 _B | | | | 6 | 7 | 0 | 1 | 2 | 3 | 4 | 5 | | | | | | | | | | | |
| x | 0 _B | 0 _B | 0 _B | | | int | 8 | 0 | 1 | 2 | 3 | 4 | 5 | 6 | 7 | | | | | | | | | | |
| x | 0 _B | 1 _B | 0 _B | | | | | 2 | 3 | 0 | 1 | 6 | 7 | 4 | 5 | | | | | | | | | | |
| x | 1 _B | 0 _B | 0 _B | | | | | 4 | 5 | 6 | 7 | 0 | 1 | 2 | 3 | | | | | | | | | | |
| x | 1 _B | 1 _B | 0 _B | | | | | 6 | 7 | 4 | 5 | 2 | 3 | 0 | 1 | | | | | | | | | | |
| x | x | x | 0 _B | nw | any | | illegal (not allowed) | | | | | | | | | | | | | | | | | | |
| 0 _B | 0 _B | 0 _B | 0 _B | wrap | seq | 16 | 0 | 1 | 2 | 3 | 4 | 5 | 6 | 7 | 8 | 9 | A | B | C | D | E | F | | | |
| 0 _B | 0 _B | 1 _B | 0 _B | | | | 2 | 3 | 4 | 5 | 6 | 7 | 8 | 9 | A | B | C | D | E | F | 0 | 1 | | | |
| 0 _B | 1 _B | 0 _B | 0 _B | | | | 4 | 5 | 6 | 7 | 8 | 9 | A | B | C | D | E | F | 0 | 1 | 2 | 3 | | | |
| 0 _B | 1 _B | 1 _B | 0 _B | | | | 6 | 7 | 8 | 9 | A | B | C | D | E | F | 0 | 1 | 2 | 3 | 4 | 5 | | | |
| 1 _B | 0 _B | 0 _B | 0 _B | | | | 8 | 9 | A | B | C | D | E | F | 0 | 1 | 2 | 3 | 4 | 5 | 6 | 7 | | | |
| 1 _B | 0 _B | 1 _B | 0 _B | | | | A | B | C | D | E | F | 0 | 1 | 2 | 3 | 4 | 5 | 6 | 7 | 8 | 9 | | | |
| 1 _B | 1 _B | 0 _B | 0 _B | | | | C | D | E | F | 0 | 1 | 2 | 3 | 4 | 5 | 6 | 7 | 8 | 9 | A | B | | | |
| 1 _B | 1 _B | 1 _B | 0 _B | | | | E | F | 0 | 1 | 2 | 3 | 4 | 5 | 6 | 7 | 8 | 9 | A | B | C | D | | | |
| x | x | x | 0 _B | | int | | illegal (not allowed) | | | | | | | | | | | | | | | | | | |
| x | x | x | 0 _B | nw | any | | illegal (not allowed) | | | | | | | | | | | | | | | | | | |

Notes:

1. C0 input is not present on CA bus. It is implied zero.
2. For BL=4, the burst address represents C1~C0.
3. For BL=8, the burst address represents C2~C0.
4. For BL=16, the burst address represents C3~C0.
5. For no-wrap, BL4, the burst must not cross the page boundary or the sub-page boundary. The variable can start at any address with C0 equal to 0, but must not start at any address shown below

Non-Wrap Restrictions

| Width | 64Mb | 128Mb/256Mb | 512Mb/1Gb/2Gb | 4Gb/8Gb |
|--|----------------|--------------------|--------------------|--------------------|
| Cannot cross full page boundary | | | | |
| X16 | FE, FF, 00, 01 | 1FE, 1FF, 000, 001 | 3FE, 3FF, 000, 001 | 7FE, 7FF, 000, 001 |
| X32 | 7E, 7F, 00, 01 | FE, FF, 00, 01 | 1FE, 1FF, 000, 001 | 3FE, 3FF, 000, 001 |
| Cannot cross sub-page boundary | | | | |
| X16 | 7E, 7F, 80, 81 | 0FE, 0FF, 100, 101 | 1FE, 1FF, 200, 201 | 3FE, 3FF, 400, 401 |
| X32 | none | none | None | none |

Note: Non-wrap BL=4 data orders shown are prohibited.

| MR2_Devcie Feature 2 (MA<7:0> = 02 _H): | | | | | | | |
|--|-----|--|---------|-----|------------|-----|--|
| OP7 | OP6 | OP5 | OP4 | OP3 | OP2 | OP1 | OP0 |
| (RFU) | | | RL & WL | | | | |
| OP<3:0> | | RL & WL (Read Latency & Write Latency) | | | Write-only | | 0001 _B : RL3 / WL1 (default) 0010 _B : RL4 / WL2 0011 _B : RL5 / WL2 0100 _B : RL6 / WL3 0101 _B : RL7 / WL4 0110 _B : RL8 / WL4 All others: reserved |

| MR3_I/O Configuration 1 (MA<7:0> = 03 _H): | | | | | | | |
|---|-----|---------------------|-----|-----|------------|-----|--|
| OP7 | OP6 | OP5 | OP4 | OP3 | OP2 | OP1 | OP0 |
| (RFU) | | | DS | | | | |
| OP<3:0> | | DS (Drive Strength) | | | Write-only | | 0000 _B : reserved 0001 _B : 34.3 ohm typical 0010 _B : 40.0 ohm typical (default) 0011 _B : 48.0 ohm typical 0100 _B : 60.0 ohm typical 0101 _B : reserved 0110 _B : 80.0 ohm typical All others: reserved |

| MR4_Device Temperature (MA<7:0> = 04 _H): | | | | | | | |
|--|-------|--------------------|-----|--------------------|-----------|-----|--|
| OP7 | OP6 | OP5 | OP4 | OP3 | OP2 | OP1 | OP0 |
| TUF | (RFU) | | | SDRAM Refresh Rate | | | |
| OP<2:0> | | SDRAM Refresh Rate | | | Read-only | | 000 _B : 4 × t _{REFI} , SDRAM Low Temp. operating limit exceeded 001 _B : 4 × t _{REFI} , 4 × t _{REFIpb} , 4 × t _{REFW} 010 _B : 2 × t _{REFI} , 2 × t _{REFIpb} , 2 × t _{REFW} , 011 _B : 1 × t _{REFI} , 1 × t _{REFIpb} , 1 × t _{REFW} (<= 85C) 100 _B : RFU |

| | | | |
|-----|-------------------------------|-----------|--|
| | | | <p>101_B: 0.25 × tREFI, 0.25 × tREFIpb, 0.25 × tREFW, don't re-rate SDRAM AC timing</p> <p>110_B: 0.25 × tREFI, 0.25 × tREFIpb, 0.25 × tREFW, derate SDRAM AC timing</p> <p>111_B: SDRAM High temperature operating limit exceeded</p> |
| OP7 | TUF (Temperature Update Flag) | Read-only | <p>0_B: (no used)</p> <p>1_B: (always)</p> |

Notes:

1. A Mode Register Read from MR4 will reset OP7 to “0”.
2. OP7 is reset to “0” at power-up.
3. If OP2 equals “1”, the device temperature is greater than 85C.
4. OP7 is set to “1”, if OP2~OP0 has changed at any time since the last read of MR4.
5. LPDDR2 might not operate properly when OP<2:0> = 000B or 111B.
6. For specified operating temperature range and maximum operating temperature.
7. LPDDR2 devices must be derated by adding 1.875ns to the following core timing parameters: tRCD, tRC, tRAS, tRP, and tRRD. The tDQSCK parameter must be derated Prevailing clock frequency specifications and related setup and hold timings remain unchanged.
8. The recommended frequency for reading MR4 is provided in “Temperature Sensor”

| | | | | | | | | |
|--|-----------------|-----|-----|-----|-----|-----------|--|--|
| MR5_Basic Configuration 1 (MA<7:0> = 05_H): | | | | | | | | |
| OP7 | OP6 | OP5 | OP4 | OP3 | OP2 | OP1 | OP0 | |
| LPDDR2 Manufacturer ID | | | | | | | | |
| OP<7:0> | Manufacturer ID | | | | | Read-only | 0001 1011 _B : ISSI All Others : Reserved | |

| | | | | | | | | |
|--|--------------|-----|-----|-----|-----|-----------|-----------------------------------|--|
| MR6_Basic Configuration 2 (MA<7:0> = 06_H): | | | | | | | | |
| OP7 | OP6 | OP5 | OP4 | OP3 | OP2 | OP1 | OP0 | |
| Revision ID1 | | | | | | | | |
| OP<7:0> | Revision ID1 | | | | | Read-only | 00000000 _B : A-version | |

| | | | | | | | | |
|--|--------------|-----|-----|-----|-----|-----------|-----------------------------------|--|
| MR7_Basic Configuration 3 (MA<7:0> = 07_H): | | | | | | | | |
| OP7 | OP6 | OP5 | OP4 | OP3 | OP2 | OP1 | OP0 | |
| Revision ID2 | | | | | | | | |
| OP<7:0> | Revision ID2 | | | | | Read-only | 00000000 _B : A-version | |

| MR8_Basic Configuration 4 (MA<7:0> = 08 _H): | | | | | | | | | |
|---|-----|-----------|-----|-----|-----|-----------|-----|---|--|
| OP7 | OP6 | OP5 | OP4 | OP3 | OP2 | OP1 | OP0 | | |
| I/O width | | Density | | | | Type | | | |
| OP<1:0> | | Type | | | | Read-only | | 00 _B : S4 SDRAM 01 _B : Reserved 10 _B : Reserved 11 _B : Reserved | |
| OP<5:2> | | Density | | | | Read-only | | 0000 _B : 64Mb (Reserved) 0001 _B : 128Mb (Reserved) 0010 _B : 256Mb (Reserved) 0011 _B : 512Mb (Reserved) 0100 _B : 1Gb 0101 _B : 2Gb (Reserved) 0110 _B : 4Gb (Reserved) 0111 _B : 8Gb (Reserved) 1000 _B : 16Gb (Reserved) 1001 _B : 32Gb (Reserved) All others: reserved | |
| OP<7:6> | | I/O width | | | | Read-only | | 00 _B : x32 01 _B : x16 10 _B : x8 (Reserved) 11 _B : not used | |

| MR9_Test Mode (MA<7:0> = 09 _H): | | | | | | | | |
|---|-----|-----|-----|-----|-----|-----|-----|--|
| OP7 | OP6 | OP5 | OP4 | OP3 | OP2 | OP1 | OP0 | |
| Vendor-specific Test Mode | | | | | | | | |

| MR10_Calibration (MA<7:0> = 0A _H): | | | | | | | |
|--|-----|------------------|-----|-----|------------|-----|---|
| OP7 | OP6 | OP5 | OP4 | OP3 | OP2 | OP1 | OP0 |
| Calibration Code | | | | | | | |
| OP<7:0> | | Calibration Code | | | Write-only | | 0xFF: Calibration command after initialization 0xAB: Long calibration 0x56: Short calibration 0xC3: ZQ Reset All others: Reserved |

Notes:

1. Host processor shall not write MR10 with “Reserved” values.
2. LPDDR2 devices shall ignore calibration command, when a “Reserved” values is written into MR10.
3. See AC timing table for the calibration latency.
4. If ZQ is connected to VSSCA through RZQ, either the ZQ calibration function (see “MRW ZQ Calibration Command”) or default calibration (through the ZQ RESET command) is supported. If ZQ is connected to VDDCA, the device operates with default calibration, and ZQ calibration commands are ignored. In both cases, the ZQ connection must not change after power is supplied to the device.
5. Devices that do not support calibration ignore the ZQ calibration command.

| MR11:15_(Reserved) (MA<7:0> = 0B _H - 0F _H): | | | | | | | |
|--|-----|-----|-----|-----|-----|-----|-----|
| OP7 | OP6 | OP5 | OP4 | OP3 | OP2 | OP1 | OP0 |
| RFU | | | | | | | |

| MR16_PASR_Bank Mask (MA<7:0> = 010 _H): | | | | | | | |
|--|-----|----------------|-----|-----|------------|-----|--|
| OP7 | OP6 | OP5 | OP4 | OP3 | OP2 | OP1 | OP0 |
| Bank Mask (4-Bank or 8-Bank) | | | | | | | |
| OP<7:0> | | Bank Mask Code | | | Write-only | | 0 _B : refresh enable to the bank (=unmasked, default) 1 _B : refresh blocked (=masked) |

| OP | Bank Mask | 4 Bank | 8 Bank |
|----|------------|--------|--------|
| 0 | XXXXXXXX1 | Bank 0 | Bank 0 |
| 1 | XXXXXXXX1X | Bank 1 | Bank 1 |
| 2 | XXXXX1XX | Bank 2 | Bank 2 |
| 3 | XXXX1XXX | Bank 3 | Bank 3 |
| 4 | XXX1XXXX | - | Bank 4 |
| 5 | XX1XXXXX | - | Bank 5 |
| 6 | X1XXXXXX | - | Bank 6 |
| 7 | 1XXXXXXX | - | Bank 7 |

Note: For 4-bank S4 SDRAM, only OP<3:0> are used.

| MR17_PASR_Segment Mask (MA<7:0> = 011 _H): | | | | | | | |
|---|-----|-------------------|-----|-----|------------|-----|--|
| OP7 | OP6 | OP5 | OP4 | OP3 | OP2 | OP1 | OP0 |
| Segment Mask | | | | | | | |
| OP<7:0> | | Segment Mask Code | | | Write-only | | 0 _B : refresh enable to the bank (=unmasked, default) 1 _B : refresh blocked (=masked) |

| Segment | OP | Bank Mask | 1Gb | 2Gb, 4Gb | 8Gb |
|---------|----|------------|------------------|----------|--------|
| | | | R12:10 | R13:11 | R14:12 |
| 0 | 0 | XXXXXXXX1 | 000 _B | | |
| 1 | 1 | XXXXXXXX1X | 001 _B | | |
| 2 | 2 | XXXXX1XX | 010 _B | | |
| 3 | 3 | XXXX1XXX | 011 _B | | |
| 4 | 4 | XXX1XXXX | 100 _B | | |
| 5 | 5 | XX1XXXXX | 101 _B | | |
| 6 | 6 | X1XXXXXX | 110 _B | | |
| 7 | 7 | 1XXXXXXX | 111 _B | | |

Note: This table indicates the range of row addresses in each masked segment. X is don't care for a particular segment.

| | | | | | | | | |
|---|-----|-----|-----|-----|-----|-----|-----|--|
| MR18:19_(Reserved) (MA<7:0> = 012_H- 013_H): | | | | | | | | |
| OP7 | OP6 | OP5 | OP4 | OP3 | OP2 | OP1 | OP0 | |
| RFU | | | | | | | | |

| | | | | | | | | |
|---|-----|-----|-----|-----|-----|-----|-----|--|
| MR20:31_(Do Not Use) (MA<7:0> = 014_H- 01F_H): | | | | | | | | |
| OP7 | OP6 | OP5 | OP4 | OP3 | OP2 | OP1 | OP0 | |
| Do Not Use | | | | | | | | |

| | | | | | | | | |
|---|-----|-----|-----|-----|-----|-----|-----|--|
| MR32_(Do Not Use) (MA<7:0> = 020_H): | | | | | | | | |
| OP7 | OP6 | OP5 | OP4 | OP3 | OP2 | OP1 | OP0 | |
| Do Not Use | | | | | | | | |

| | | | | | | | | |
|---|-----|-----|-----|-----|-----|-----|-----|--|
| MR33:39_(Do Not Use) (MA<7:0> = 021_H- 027_H): | | | | | | | | |
| OP7 | OP6 | OP5 | OP4 | OP3 | OP2 | OP1 | OP0 | |
| Do Not Use | | | | | | | | |

| | | | | | | | | |
|---|-----|-----|-----|-----|-----|-----|-----|--|
| MR40_(Do Not Use) (MA<7:0> = 028_H): | | | | | | | | |
| OP7 | OP6 | OP5 | OP4 | OP3 | OP2 | OP1 | OP0 | |
| Do Not Use | | | | | | | | |

| | | | | | | | | |
|---|-----|-----|-----|-----|-----|-----|-----|--|
| MR41:47_(Do Not Use) (MA<7:0> = 029_H- 02F_H): | | | | | | | | |
| OP7 | OP6 | OP5 | OP4 | OP3 | OP2 | OP1 | OP0 | |
| Do Not Use | | | | | | | | |

| MR48:62_(Reserved) (MA<7:0> = 030 _H - 03E _H): | | | | | | | |
|--|-----|-----|-----|-----|-----|-----|-----|
| OP7 | OP6 | OP5 | OP4 | OP3 | OP2 | OP1 | OP0 |
| RFU | | | | | | | |

| MR63_Reset (MA<7:0> = 03F _H): MRW only | | | | | | | |
|--|-----|-----|-----|-----|-----|-----|-----|
| OP7 | OP6 | OP5 | OP4 | OP3 | OP2 | OP1 | OP0 |
| X | | | | | | | |

Note: For additional information on MRW RESET, see “Mode Register Write Command” on Timing Spec.

| MR64:126_(Reserved) (MA<7:0> = 040 _H - 07E _H): | | | | | | | |
|---|-----|-----|-----|-----|-----|-----|-----|
| OP7 | OP6 | OP5 | OP4 | OP3 | OP2 | OP1 | OP0 |
| RFU | | | | | | | |

| MR127_(Do Not Use) (MA<7:0> = 07F _H): | | | | | | | |
|---|-----|-----|-----|-----|-----|-----|-----|
| OP7 | OP6 | OP5 | OP4 | OP3 | OP2 | OP1 | OP0 |
| Do Not Use | | | | | | | |

| MR128:190_(Reserved for Vendor Use) (MA<7:0> = 080 _H - 0BE _H): | | | | | | | |
|---|-----|-----|-----|-----|-----|-----|-----|
| OP7 | OP6 | OP5 | OP4 | OP3 | OP2 | OP1 | OP0 |
| RFU | | | | | | | |

| MR191_(Do Not Use) (MA<7:0> = 0BF _H): | | | | | | | |
|---|-----|-----|-----|-----|-----|-----|-----|
| OP7 | OP6 | OP5 | OP4 | OP3 | OP2 | OP1 | OP0 |
| Do Not Use | | | | | | | |

| MR192:254_(Reserved for Vendor Use) (MA<7:0> = 0C0 _H - 0FE _H): | | | | | | | |
|---|-----|-----|-----|-----|-----|-----|-----|
| OP7 | OP6 | OP5 | OP4 | OP3 | OP2 | OP1 | OP0 |
| RFU | | | | | | | |

| MR255_(Do Not Use) (MA<7:0> = 0FF _H): | | | | | | | |
|---|-----|-----|-----|-----|-----|-----|-----|
| OP7 | OP6 | OP5 | OP4 | OP3 | OP2 | OP1 | OP0 |
| Do Not Use | | | | | | | |

Truth Tables





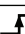

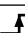



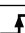















Truth tables provide complementary information to the state diagram. They also clarify device behavior and applicable restrictions when considering the actual state of the banks.

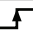

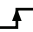





Unspecified operations and timings are illegal. To ensure proper operation after an illegal event, the device must be powered down and then restarted using the specified initialization sequence before normal operation can continue.

Command Truth Table

Table 49: Command Truth Table

Notes 1–11 apply to all parameters conditions

| Command | Command Pins | | | CA Pins | | | | | | | | | | CK Edge |
|-------------------------------------|--------------|--------|-----|---------|-----|-----|-----|-----|-----|-----|-----|-----|---|---|
| | CKE | | CS# | CA0 | CA1 | CA2 | CA3 | CA4 | CA5 | CA6 | CA7 | CA8 | CA9 | |
| | CK(n-1) | CK(n) | | | | | | | | | | | | |
| MRW | H | H | L | L | L | L | L | MA0 | MA1 | MA2 | MA3 | MA4 | MA5 |  |
| | H | H | X | MA6 | MA7 | OP0 | OP1 | OP2 | OP3 | OP4 | OP5 | OP6 | OP7 |  |
| MRR | H | H | L | L | L | L | H | MA0 | MA1 | MA2 | MA3 | MA4 | MA5 |  |
| | H | H | X | MA6 | MA7 | X | | | | | | |  | |
| REFRESH (per bank) | H | H | L | L | L | H | L | X | | | | | |  |
| | H | H | X | X | | | | | | | | | |  |
| REFRESH (all banks) | H | H | L | L | L | H | H | X | | | | | |  |
| | H | H | X | X | | | | | | | | | |  |
| Enter self refresh | H | L | L | L | L | H | X | | | | | | |  |
| | X | L | X | X | | | | | | | | | |  |
| ACTIVATE (bank) | H | H | L | L | H | R8 | R9 | R10 | R11 | R12 | BA0 | BA1 | BA2 |  |
| | H | H | X | R0 | R1 | R2 | R3 | R4 | R5 | R6 | R7 | R13 | R14 |  |
| WRITE (bank) | H | H | L | H | L | L | RFU | RFU | C1 | C2 | BA0 | BA1 | BA2 |  |
| | H | H | X | AP | C3 | C4 | C5 | C6 | C7 | C8 | C9 | C10 | C11 |  |
| READ (bank) | H | H | L | H | L | H | RFU | RFU | C1 | C2 | BA0 | BA1 | BA2 |  |
| | H | H | X | AP | C3 | C4 | C5 | C6 | C7 | C8 | C9 | C10 | C11 |  |
| PRECHARGE (bank) | H | H | L | H | H | L | H | AB | X | X | BA0 | BA1 | BA2 |  |
| | H | H | X | X | | | | | | | | | |  |
| BST | H | H | L | H | H | L | L | X | | | | | |  |
| | H | H | X | X | | | | | | | | | |  |
| Enter DPD | H | L | L | H | H | L | X | | | | | | |  |
| | X | L | X | X | | | | | | | | | |  |
| NOP | H | H | L | H | H | H | X | | | | | | |  |
| | H | H | X | X | | | | | | | | | |  |
| Maintain PD, SREF, DPD, (NOP) | L | L | L | H | H | H | X | | | | | | |  |
| | L | L | X | X | | | | | | | | | |  |

| Command | Command Pins | | | CA Pins | | | | | | | | | | CK Edge | |
|-------------------------------------|--------------|--------|-----|---------|-----|-----|-----|-----|-----|-----|-----|-----|-----|---------|---|
| | CKE | | CS# | CA0 | CA1 | CA2 | CA3 | CA4 | CA5 | CA6 | CA7 | CA8 | CA9 | | |
| | CK(n-1) | CK(n) | | | | | | | | | | | | | |
| NOP | H | H | H | | | | | | X | | | | | |  |
| | H | H | X | | | | | | X | | | | | |  |
| Maintain PD, SREF, DPD, (NOP) | L | L | H | | | | | | X | | | | | |  |
| | L | L | X | | | | | | X | | | | | |  |
| Enter power- down | H | L | H | | | | | | X | | | | | |  |
| | X | L | X | | | | | | X | | | | | |  |
| Exit PD, SREF, DPD | L | H | H | | | | | | X | | | | | |  |
| | X | H | X | | | | | | X | | | | | |  |

Note:

1. All commands are defined by the current state of CS#, CA0, CA1, CA2, CA3, and CKE at the rising edge of the clock.
2. Bank addresses (BA) determine which bank will be operated upon.
3. AP HIGH during a READ or WRITE command indicates that an auto precharge will occur to the bank associated with the READ or WRITE command.
4. X indicates a "Don't Care" state, with a defined logic level, either HIGH (H) or LOW (L).
5. Self refresh exit and DPD exit are asynchronous.
6. VREF must be between 0 and VDDQ during self refresh and DPD operation.
7. CAxr refers to command/address bit "x" on the rising edge of clock.
8. CAxf refers to command/address bit "x" on the falling edge of clock.
9. CS# and CKE are sampled on the rising edge of the clock.
10. Per-bank refresh is only supported in devices with eight banks.
11. The least-significant column address C0 is not transmitted on the CA bus, and is inferred to be zero

CKE Truth Table

| Device Current State ^{*3} | CKE _{n-1} ^{*1} | CKE _n ^{*1} | CS _n ^{*2} | Command n ^{*4} | Operation n ^{*4} | Device Next State | Notes |
|------------------------------------|----------------------------------|--------------------------------|----------------------------------|-------------------------|-------------------------------|----------------------|--------|
| Active Power Down | L | L | x | x | Maintain Active Power Down | Active Power Down | |
| | L | H | H | NOP | Exit Active Power Down | Active | 6,9 |
| Idle Power Down | L | L | x | x | Maintain Idle Power Down | Idle Power Down | |
| | L | H | H | NOP | Exit Idle Power Down | Idle | 6,9 |
| Resetting Power Down | L | L | x | x | Maintain Resetting Power Down | Resetting Power Down | |
| | L | H | H | NOP | Exit Resetting Power Down | Idle or Resetting | 6,9,12 |
| Deep Power Down | L | L | x | x | Maintain Deep Power Down | Deep Power Down | |
| | L | H | H | NOP | Exit Deep Power Down | Power On | 8 |
| Self Refresh | L | L | x | x | Maintain Self Refresh | Self Refresh | |
| | L | H | H | NOP | Exit Self Refresh | Idle | 7,10 |
| Bank(s) Active | H | L | H | NOP | Enter Active Power Down | Active Power Down | |
| All Banks Idle | H | L | H | NOP | Enter Idle Power Down | Idle Power Down | |
| | H | L | L | Enter Self-Refresh | Enter Self Refresh | Self Refresh | |
| | H | L | L | Enter Self-Refresh | Enter Deep Power Down | Deep Power Down | |
| Resetting | H | L | H | NOP | Enter Resetting Power Down | Resetting Power Down | |
| Other states | H | H | Refer to the Command Truth Table | | | | |

Notes:

1. "CKEn" is the logic state of CKE at clock edge n; "CKEn-1" was the logic state of CKE at previous clock edge.
2. "CS_n" is the logic state of CS_n at the clock rising edge n;
3. "Current state" is the state of the LPDDR2 device immediately prior to clock edge n.
4. "Command n" is the command registered at clock edge N, and "Operation n" is a result of "Command n".
5. All states and sequences not shown are illegal or reserved unless explicitly described elsewhere in this document.
6. Power Down exit time (tXP) should elapse before a command other than NOP is issued.
7. Self-Refresh exit time (tXSR) should elapse before a command other than NOP is issued.
8. The Deep Power- Down exit procedure must be followed as discussed in the DPD section of the Functional Description.
9. The clock must toggle at least once during the tXP period.
10. The clock must toggle at least once during the tXSR period.
11. "x" means "Don't care".
12. Upon exiting Resetting Power Down, the device will return to the idle state if tINIT5 has expired.

Current State Bank n – Command to Bank n Truth Table

| Current State | Command | Operation | Next State | Notes |
|---------------|--------------------|--|-----------------------|----------|
| Any | NOP | Continue previous operation | Current State | |
| Idle | ACTIVATE | Select and activate row | Active | |
| | Refresh (Per Bank) | Begin to refresh | Refreshing (Per Bank) | 6 |
| | Refresh (All Bank) | Begin to refresh | Refreshing (AllBank) | 7 |
| | MRW | Load value from Mode Register | MR Writing | 7 |
| | MRR | Read value from Mode Register | Idle / MR Reading | |
| | Reset | Begin Device Auto-initialization | Resetting | 7,8 |
| | Precharge | Deactivate row in bank or banks | Precharging | 9,15 |
| Row Active | Read | Select column, and start read burst | Reading | |
| | Write | Select column, and start write burst | Writing | |
| | MRR | Read value from Mode Register | Active / MR Reading | |
| | Precharge | Deactivate row in bank or banks | Precharging | 9 |
| Reading | Read | Select column, and start new read burst | Reading | 10,11 |
| | Write | Select column, and start write burst | Writing | 10,11,12 |
| | BST | Read burst terminate | Active | 13 |
| Writing | Write | Select column, and start new write burst | Writing | 10,11 |
| | Read | Select column, and start read burst | Reading | 10,11,14 |
| | BST | Write burst terminate | Active | 13 |
| Power On | Reset | Begin Device Auto-initialization | Resetting | 7,9 |
| Resetting | MRR | Read value from Mode Register | Resetting MR Reading | |

Notes:

1. Values in this table apply when both CKEn -1 and CKEn are HIGH, and after tXSR or tXP has been met, if the previous state was power-down.
2. All states and sequences not shown are illegal or reserved.
3. Current state definitions:

Idle: The bank or banks have been precharged, and tRP has been met.

Active: A row in the bank has been activated, and tRCD has been met. No data bursts or accesses and no register accesses are in progress.

Reading: A READ burst has been initiated with auto precharge disabled and has not yet terminated or been terminated.

Writing: A WRITE burst has been initiated with auto precharge disabled and has not yet terminated or been terminated.

4. The states listed below must not be interrupted by a command issued to the same bank. NOP commands or supported commands to the other bank must be issued on any clock edge occurring during these states. Supported commands to the other banks are determined by that bank's current state, and the definitions given in Current State Bank n to Command to Bank m Truth Table.

Precharge: Starts with registration of a PRECHARGE command and ends when tRP is met. After tRP is met, the bank is in the idle state.

Row activate: Starts with registration of an ACTIVATE command and ends when tRCD is met. After tRCD is met, the bank is in the active state.

READ with AP enabled: Starts with registration of a READ command with auto precharge enabled and ends when tRP is met. After tRP is met, the bank is in the idle state.

WRITE with AP enabled: Starts with registration of a WRITE command with auto precharge enabled and ends when tRP is met. After tRP is met, the bank is in the idle state.

5. The states listed below must not be interrupted by any executable command. NOP commands must be applied to each rising clock edge during these states.

Refresh (per bank): Starts with registration of a REFRESH (per bank) command and ends when tRFCpb is met. After tRFCpb is met, the bank is in the idle state.

Refresh (all banks): Starts with registration of a REFRESH (all banks) command and ends when tRFCab is met. After tRFCab is met, the device is in the all banks idle state.

Idle MR reading: Starts with registration of the MRR command and ends when tMRR is met. After tMRR is met, the device is in the all banks idle state.

Resetting MR reading: Starts with registration of the MRR command and ends when tMRR is met. After tMRR is met, the device is in the all banks idle state.

Active MR reading: Starts with registration of the MRR command and ends when tMRR is met. After tMRR is met, the bank is in the active state.

MR writing: Starts with registration of the MRW command and ends when tMRW is met. After tMRW is met, the device is in the all banks idle state.

Precharging all: Starts with registration of a PRECHARGE ALL command and ends when tRP is met. After tRP is met, the device is in the all banks idle state.

6. Bank-specific; requires that the bank is idle and no bursts are in progress.
7. Not bank-specific; requires that all banks are idle and no bursts are in progress.
8. Not bank-specific.
9. This command may or may not be bank specific. If all banks are being precharged, they must be in a valid state for precharging.
10. If a PRECHARGE command is issued to a bank in the idle state, tRP still applies.
11. A command other than NOP should not be issued to the same bank while a burst READ or burst WRITE with auto precharge is enabled.
12. The new READ or WRITE command could be auto precharge enabled or auto precharge disabled.
13. A WRITE command can be issued after the completion of the READ burst; otherwise, a BST must be issued to end the READ prior to asserting a WRITE command.
14. Not bank-specific. The BST command affects the most recent READ/WRITE burst started by the most recent READ/WRITE command, regardless of bank.
15. A READ command can be issued after completion of the WRITE burst; otherwise, a BST must be used to end the WRITE prior to asserting another READ command.

Current State Bank n to Command to Bank m Truth Table

| Current State of Bank n | Command to Bank m | Operation | Next State for Bank m | Notes |
|---|-------------------|--|--------------------------------------|------------|
| Any | NOP | Continue previous operation | Current state of bank m | |
| Idle | Any | Any command supported to bank m | – | 7 |
| Row activating, active, or pre-charging | ACTIVATE | Select and activate row in bank m | Active | 8 |
| | READ | Select column and start READ burst from bank m | Reading | 9 |
| | WRITE | Select column and start WRITE burst to bank m | Writing | 9 |
| | PRECHARGE | Deactivate row(s) in bank or banks | Precharging | 10 |
| | MRR | READ value from mode register | Idle MR reading or active MR reading | 11, 12, 13 |
| | BST | READ or WRITE burst terminates an on-going READ/WRITE from/to bank m | Active | 7 |
| Reading (auto precharge disabled) | READ | Select column and start READ burst from bank m | Reading | 9 |
| | WRITE | Select column and start WRITE burst to bank m | Writing | 9, 14 |
| | ACTIVATE | Select and activate row in bank m | Active | |
| | PRECHARGE | Deactivate row(s) in bank or banks | Precharging | 10 |
| Writing (auto precharge disabled) | READ | Select column and start READ burst from bank m | Reading | 9, 15 |
| | WRITE | Select column and start WRITE burst to bank m | Writing | 9 |
| | ACTIVATE | Select and activate row in bank m | Active | |
| | PRECHARGE | Deactivate row(s) in bank or banks | Precharging | 10 |
| Reading with auto precharge | READ | Select column and start READ burst from bank m | Reading | 9, 16 |
| | WRITE | Select column and start WRITE burst to bank m | Writing | 9, 14, 16 |
| | ACTIVATE | Select and activate row in bank m | Active | |
| | PRECHARGE | Deactivate row(s) in bank or banks | Precharging | 10 |
| Writing with auto precharge | READ | Select column and start READ burst from bank m | Reading | 9, 15, 16 |
| | WRITE | Select column and start WRITE burst to bank m | Writing | 9, 16 |
| | ACTIVATE | Select and activate row in bank m | Active | |
| | PRECHARGE | Deactivate row(s) in bank or banks | Precharging | 10 |
| Power-on | MRW RESET | Begin device auto initialization | Resetting | 17, 18 |
| Resetting | MRR | Read value from mode register | Resetting MR reading | |

Notes:

1. This table applies when: the previous state was self refresh or power-down; after tXSR z or tXP has been met; and both CKEn -1 and CKEn are HIGH.
2. All states and sequences not shown are illegal or reserved.
3. Current state definitions:
Idle: The bank has been precharged and tRP has been met.
Active: A row in the bank has been activated, tRCD has been met, no data bursts or accesses and no register accesses are in progress.
Read: A READ burst has been initiated with auto precharge disabled and the READ has not yet terminated or been terminated.
Write: A WRITE burst has been initiated with auto precharge disabled and the WRITE has not yet terminated or been terminated.
4. Refresh, self refresh, and MRW commands can only be issued when all banks are idle.
5. A BST command cannot be issued to another bank; it applies only to the bank represented by the current state.
6. The states listed below must not be interrupted by any executable command. NOP commands must be applied during each clock cycle while in these states:
Idle MRR: Starts with registration of the MRR command and ends when tMRR has been met. After tMRR is met, the device is in the all banks idle state.
Reset MRR: Starts with registration of the MRR command and ends when tMRR has been met. After tMRR is met, the device is in the all banks idle state.
Active MRR: Starts with registration of the MRR command and ends when tMRR has been met. After tMRR is met, the bank is in the active state.
MRW: Starts with registration of the MRW command and ends when tMRW has been met. After tMRW is met, the device is in the all banks idle state.
7. BST is supported only if a READ or WRITE burst is ongoing.
8. tRRD must be met between the ACTIVATE command to bank n and any subsequent ACTIVATE command to bank m.
9. READs or WRITEs listed in the command column include READs and WRITEs with or without auto precharge enabled.
10. This command may or may not be bank-specific. If all banks are being precharged, they must be in a valid state for precharging.
11. MRR is supported in the row-activating state.
12. MRR is supported in the precharging state.
13. The next state for bank m depends on the current state of bank m (idle, row-activating,precharging, or active).
14. A WRITE command can be issued after the completion of the READ burst; otherwise a BST must be issued to end the READ prior to asserting a WRITE command.
15. A READ command can be issued after the completion of the WRITE burst; otherwise, a BST must be issued to end the WRITE prior to asserting another READ command.
16. A READ with auto precharge enabled or a WRITE with auto precharge enabled can be followed by any valid command to other banks provided that the timing restrictions in the PRECHARGE and Auto Precharge Clarification table are met.
17. Not bank-specific; requires that all banks are idle and no bursts are in progress.
18. RESET command is achieved through MODE REGISTER WRITE command

DM Operation Truth Table

| Function | DM | DQ | Notes |
|---------------|----|-------|-------|
| Write Enable | L | Valid | 1 |
| Write Inhibit | H | X | 1 |

Note: Used to mask write data, and is provided simultaneously with the corresponding input data.

Command

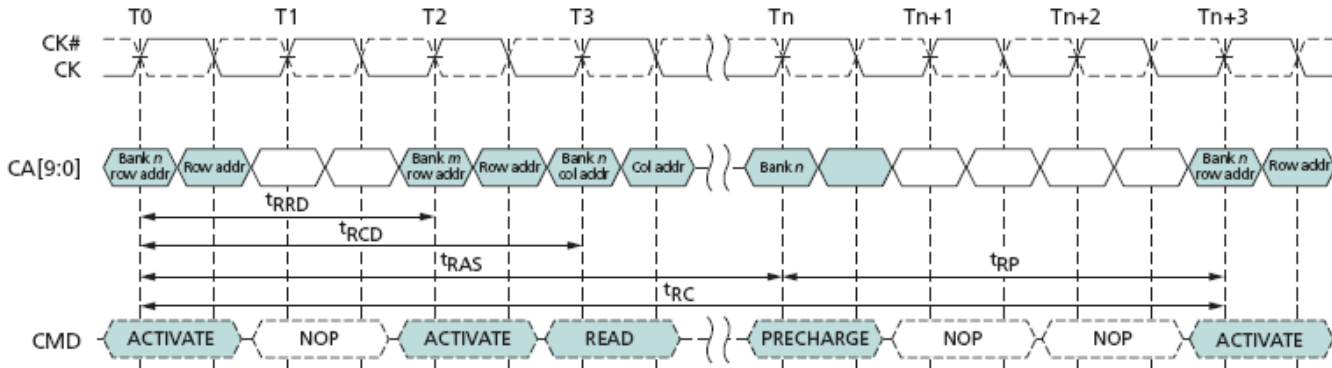
Active

The ACTIVATE command is issued by holding CS# LOW, CA0 LOW, and CA1 HIGH at the rising edge of the clock. The bank addresses BA[2:0] are used to select the desired bank.

Row addresses are used to determine which row to activate in the selected bank. The ACTIVATE command must be applied before any READ or WRITE operation can be executed.

The device can accept a READ or WRITE command at t_{RCD} after the ACTIVATE command is issued. After a bank has been activated, it must be precharged before another ACTIVATE command can be applied to the same bank. The bank active and precharge times are defined as t_{RAS} and t_{RP} , respectively. The minimum time interval between successive ACTIVATE commands to the same bank is determined by the RAS cycle time of the device (t_{RC}). The minimum time interval between ACTIVATE commands to different banks is t_{RRD} .

ACTIVATE Command



Activate command cycle: $t_{RCD}=3$, $t_{RP}=3$, $t_{RRD}=2$

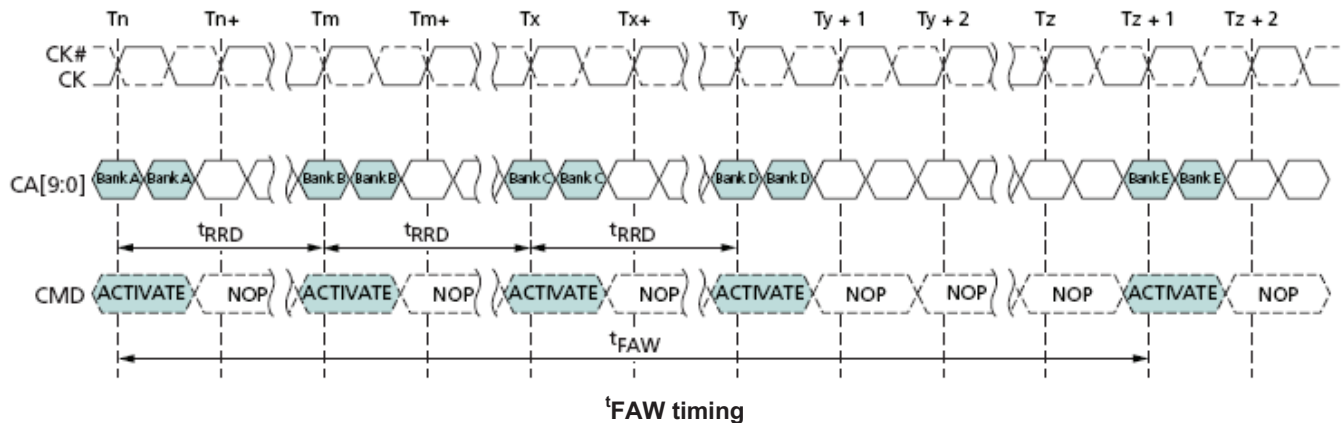
Notes:

- $t_{RCD} = 3$, $t_{RP} = 3$, $t_{RRD} = 2$.
- A PRECHARGE ALL command uses t_{RPab} timing, and a single-bank PRECHARGE command uses t_{RPpb} timing. In this figure, t_{RP} is used to denote either an all-bank PRECHARGE or a single-bank PRECHARGE

Certain restriction on operation of 8 bank devices must be observed, One rule restricts the number of sequential ACTIVATE commands that can be issued; the second provides additional RAS pre-charge time for a PRECHARGE ALL command.

- The 8-Bank Device Sequential Bank Activation Restriction: No more than four banks can be activated (or refreshed, in the case of REFpb) in a rolling tFAW window. To convert to clocks, divide tFAW[ns] by tCK[ns], and round up to the next integer value. For example, if $RU(tFAW/tCK)$ is 10 clocks, and an ACTIVATE command is issued in clock n, no more than three further ACTIVATE commands can be issued at or between clock n + 1 and n + 9. REFpb also counts as bank activation for purposes of tFAW.
- The 8-Bank Device PRECHARGE ALL Provision: tRP for a PRECHARGE ALL command must equal tRPab, which is greater than tRPpb

tFAW Timing (8-Bank Devices)



Note: Exclusively for 8-bank devices.

Read and Write Access Modes

After a bank is activated, a READ or WRITE command can be issued with CS# LOW, CA0 HIGH, and CA1 LOW at the rising edge of the clock. CA2 must also be defined at this time to determine whether the access cycle is a READ operation (CA2 HIGH) or a WRITE operation (CA2 LOW).

The LPDDR2 provide a fast column access operation .A single READ or WRITE command initiates a burst READ or burst WRITE operation on successive clock cycles.

For LPDDR2 –S4 devices, a new burst access must not interrupt the previous 4-bit burst operation when BL = 4.

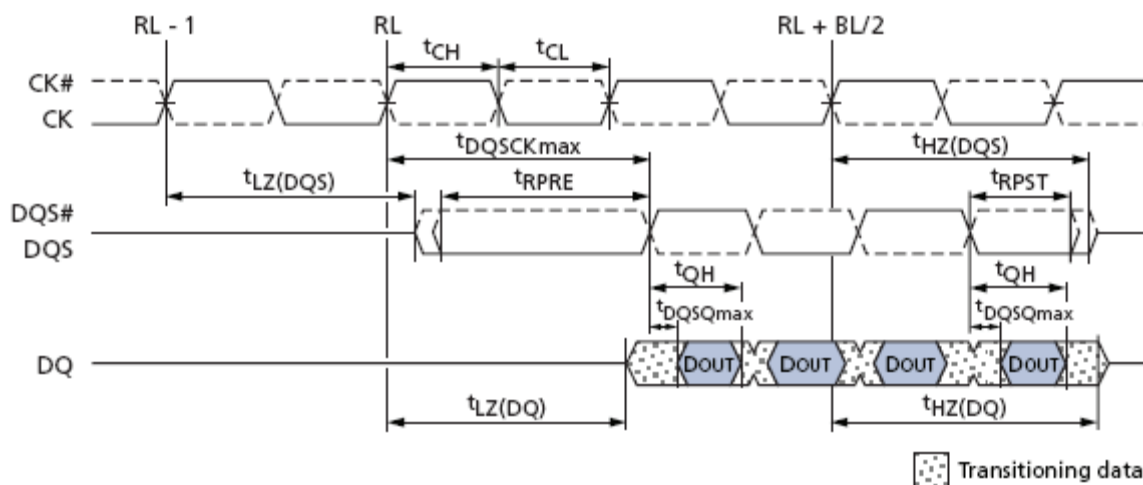
In case of BL = 8 or BL = 16, READs can be interrupted by READs and WRITEs can be interrupted by WRITEs, provided that the interrupt occurs on a 4-bit boundary and that tCCD is met.

Burst READ

The burst READ command is initiated with CS# LOW, CA0 HIGH, CA1 LOW, and CA2 HIGH at the rising edge of the clock. The command address bus inputs, CA5r–CA6r and CA1f–CA9f, determine the starting column address for the burst. The read latency (RL) is defined from the rising edge of the clock on which the READ command is issued to the rising edge of the clock from which the tDQSCK delay is measured. The first valid data is available $RL \times tCK + tDQSCK + tDQSQ$ after the rising edge of the clock when the READ command is issued. The data strobe output is driven LOW tRPRE before the first valid rising strobe edge. The first bit of the burst is synchronized with the first rising edge of the data strobe. Each subsequent data-out appears on each DQ pin, edge aligned with the data strobe. The RL is programmed in the mode registers.

Pin input timings for the data strobe are measured relative to the crosspoint of DQS and its complement, DQS#.

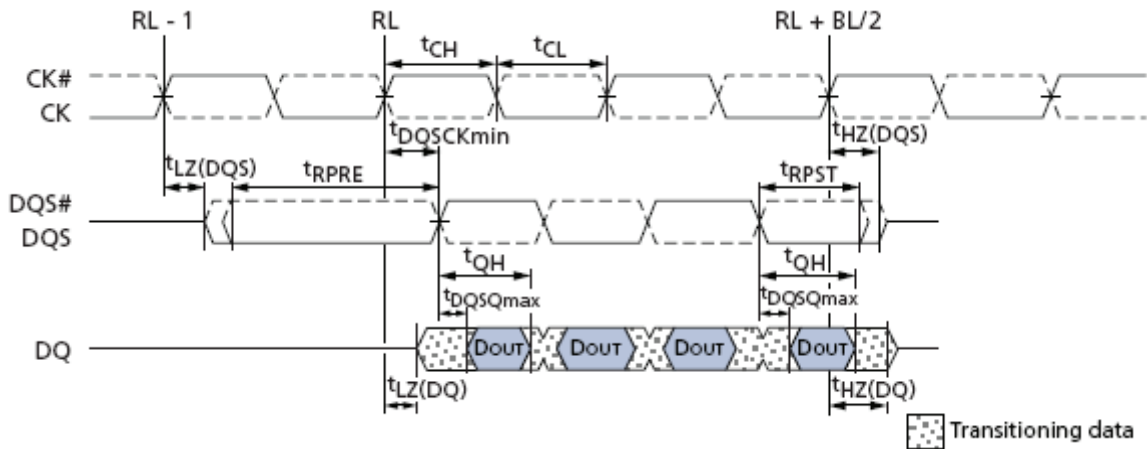
Data Output (Read) Timing – tDQSCK (MAX)



Notes:

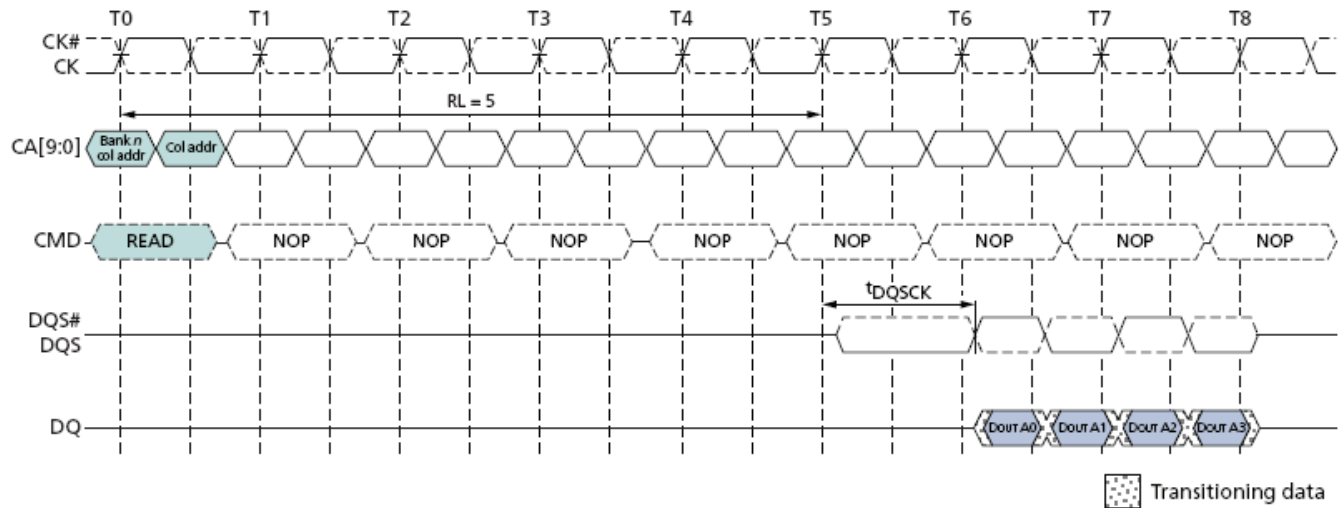
1. tDQSCK can span multiple clock periods.
2. An effective burst length of 4 is shown

Data Output (Read) Timing– t_{DQSCK} (MIN)

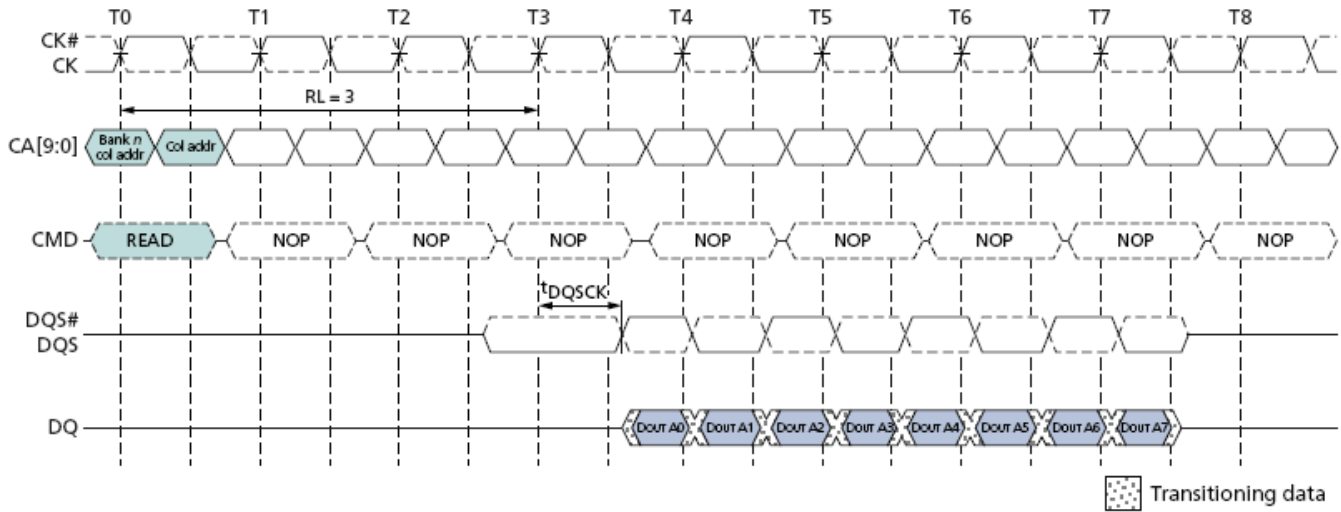


Note: An effective BL=4 is shown.

Burst READ – RL = 5, BL = 4, $t_{DQSCK} > t_{CK}$

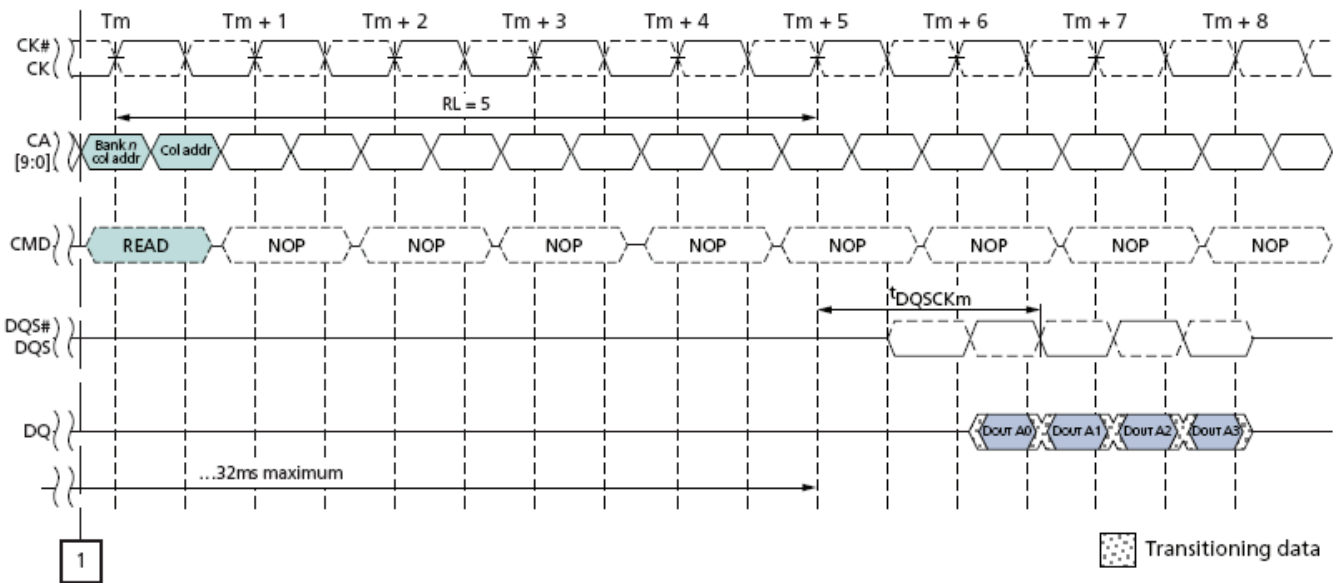
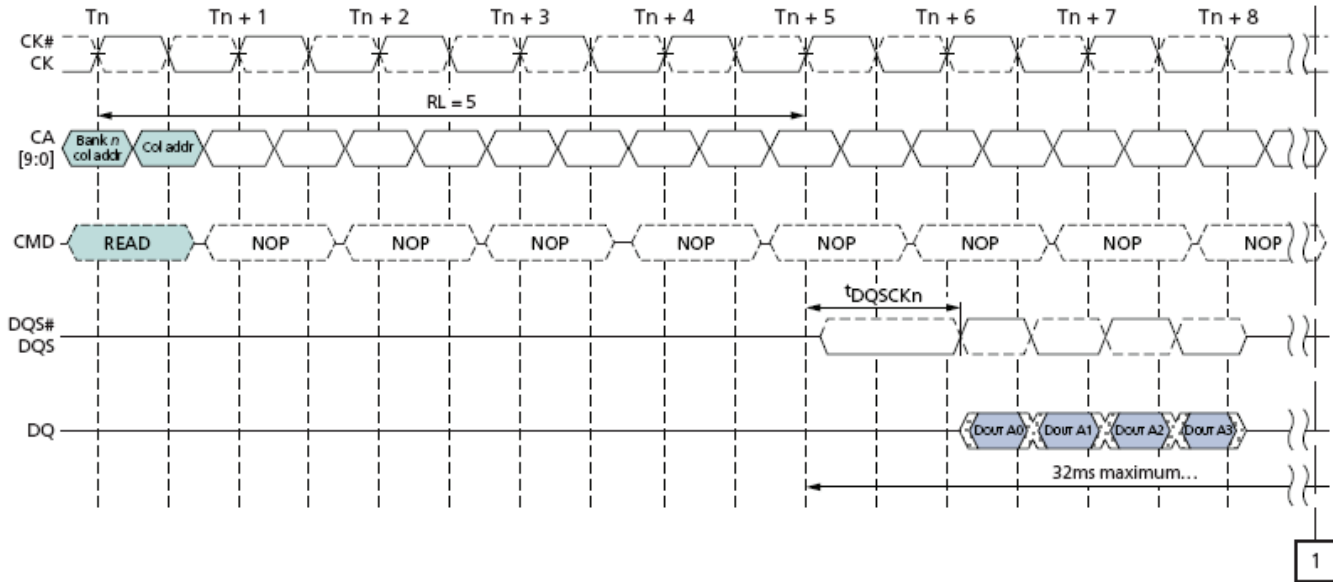


Burst READ – RL = 3, BL = 8, $t_{DQSCK} < t_{CK}$



Burst Read: RL=3, BL=8, $t_{DQSCK} < t_{CK}$

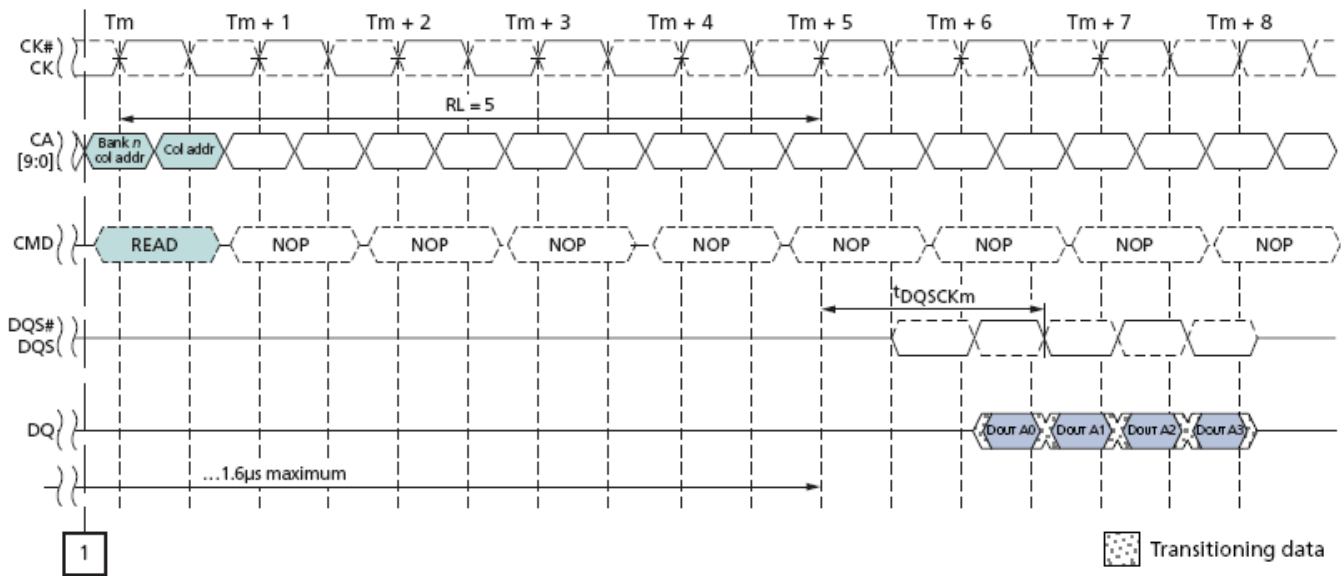
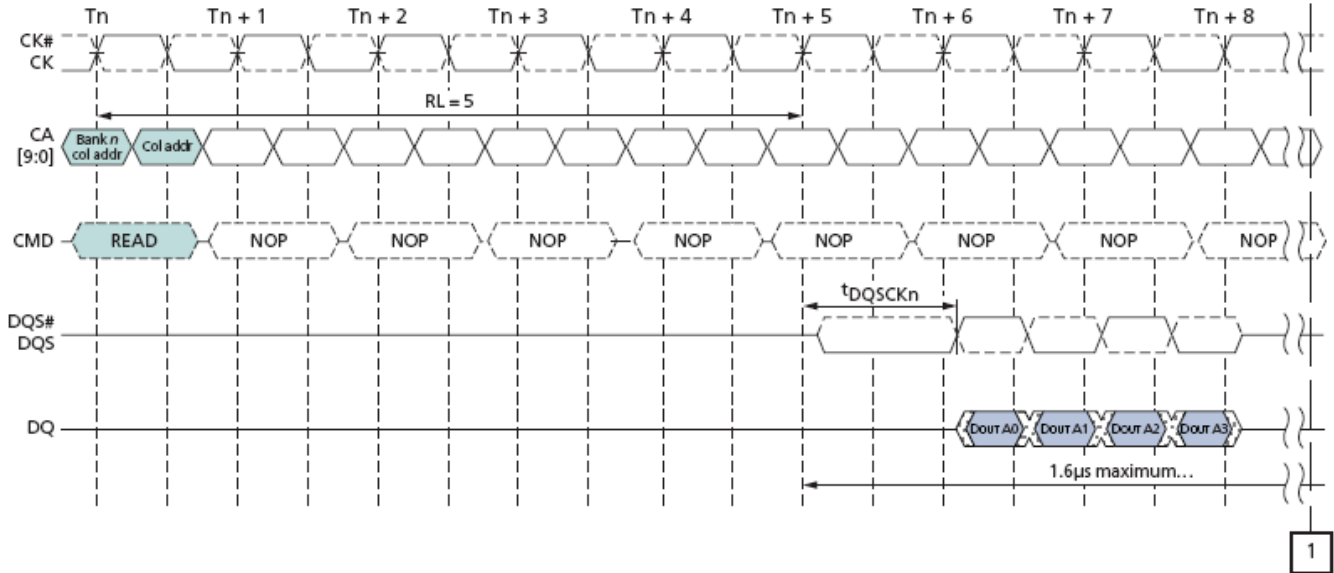
tDQCKDL Timing



Notes:

1. $t_{DQCKDL} = (t_{DQCKn} - t_{DQCKm})$.
2. $t_{DQCKDL} (MAX)$ is defined as the maximum of ABS ($t_{DQCKn} - t_{DQCKm}$) for any (t_{DQCKn}, t_{DQCKm}) pair within any 32ms rolling window.

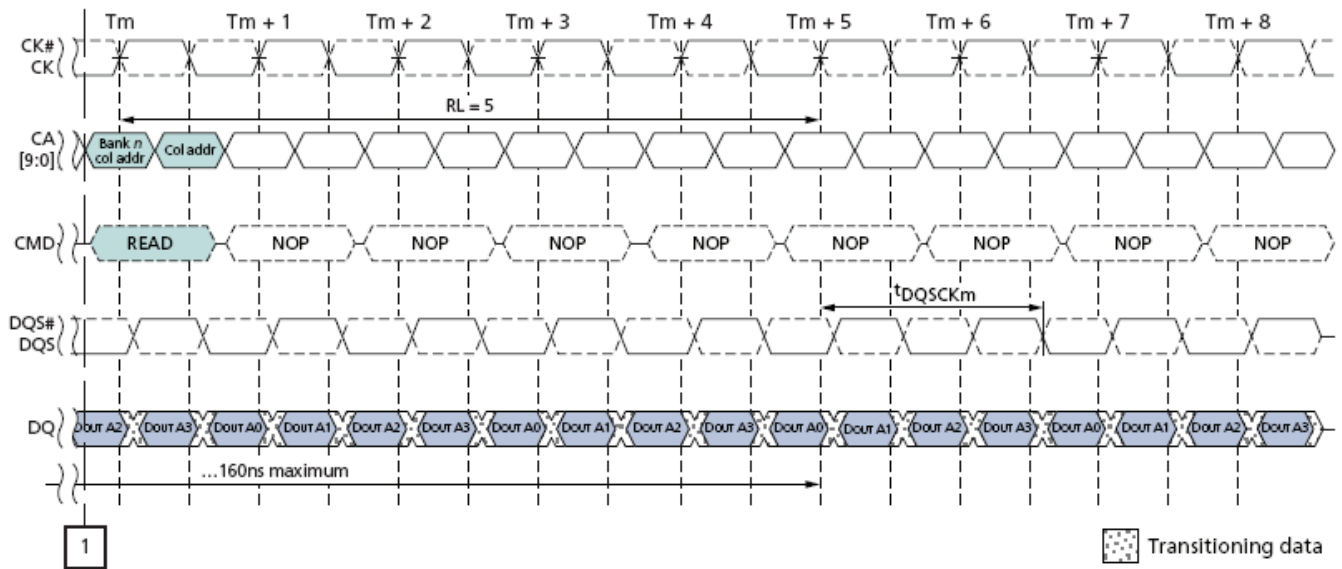
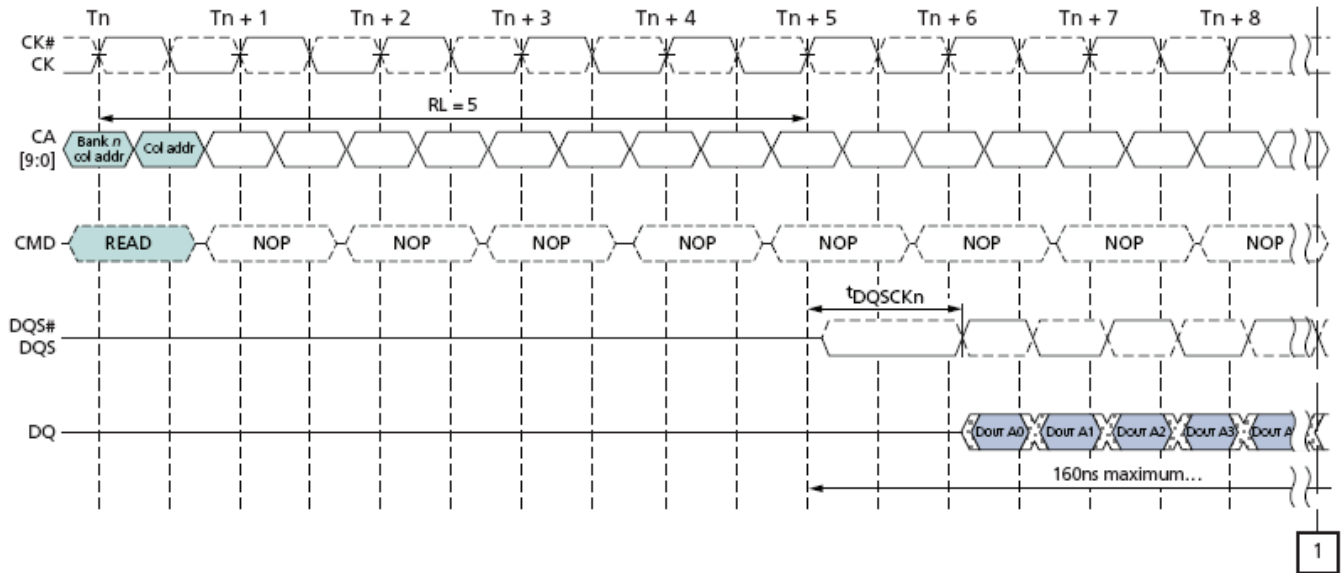
tDQCKDM Timing



Notes:

1. $t_{DQCKDM} = (t_{DQCKn} - t_{DQCKm})$.
2. $t_{DQCKDM} (MAX)$ is defined as the maximum of ABS ($t_{DQCKn} - t_{DQCKm}$) for any (t_{DQCKn}, t_{DQCKm}) pair within any 1.6µs rolling window.

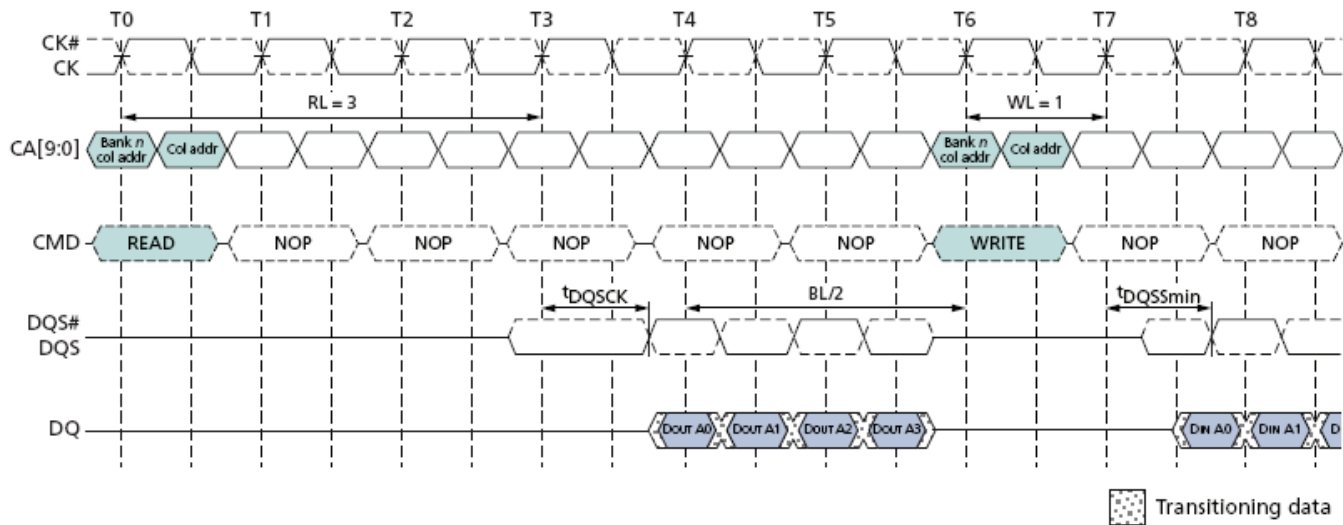
tDQCKDS Timing



Notes:

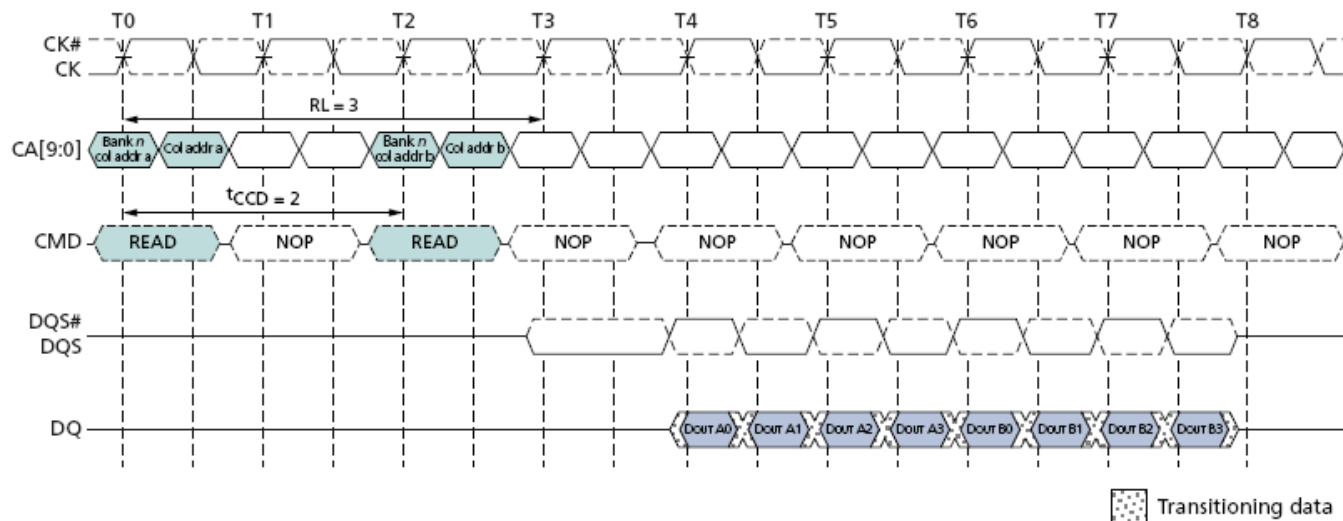
1. $tDQCKDS = (tDQCKSn - tDQCKDs)$.
2. tDQCKDS (MAX) is defined as the maximum of ABS (tDQCKSn - tDQCKDs) for any (tDQCKSn, tDQCKDs) pair for READs within a consecutive burst, within any 160ns rolling window.

Burst READ Followed by Burst WRITE – RL = 3, WL = 1, BL = 4



The minimum time from the burst READ command to the burst WRITE command is defined by the read latency (RL) and the burst length (BL). Minimum READ-to-WRITE latency is $RL + RU(tDQSCK(MAX)/tCK) + BL/2 + 1 - WL$ clock cycles. Note that if a READ burst is truncated with a burst TERMINATE (BST) command, the effective burst length of the truncated READ burst should be used for BL when calculating the minimum READ-to-WRITE delay.

Seamless Burst READ – RL = 3, BL = 4, tCCD = 2



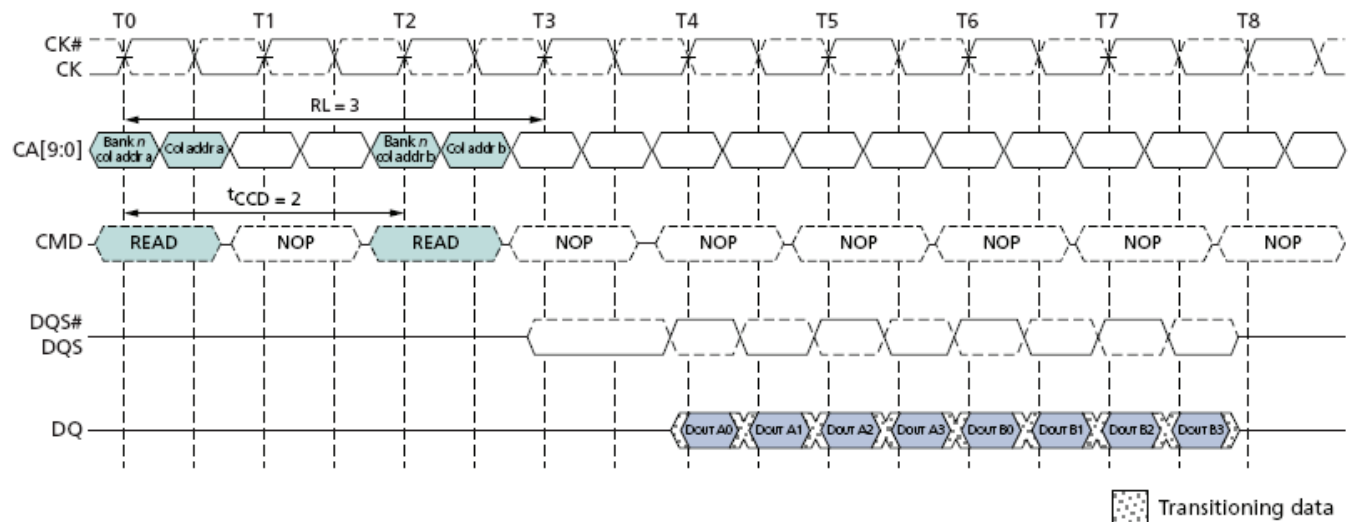
A seamless burst READ operation is supported by enabling a READ command at every other clock cycle for BL = 4 operation, every fourth clock cycle for BL = 8 operation, and every eighth clock cycle for BL = 16 operation. This operation is supported as long as the banks are activated, whether the accesses read the same or different banks.

READs Interrupted by a READ

For LP-DDR2-S4 devices, burst READ can be interrupted by another READ with a 4-bit burst boundary, provided that t_{CCD} is met.

A burst READ can be interrupted by other READs on any subsequent clock, provided that t_{CCD} is met.

READ Burst Interrupt Example – $RL = 3$, $BL = 8$, $t_{CCD} = 2$



Note: READs can only be interrupted by other READs or the BST command.

Burst WRITE

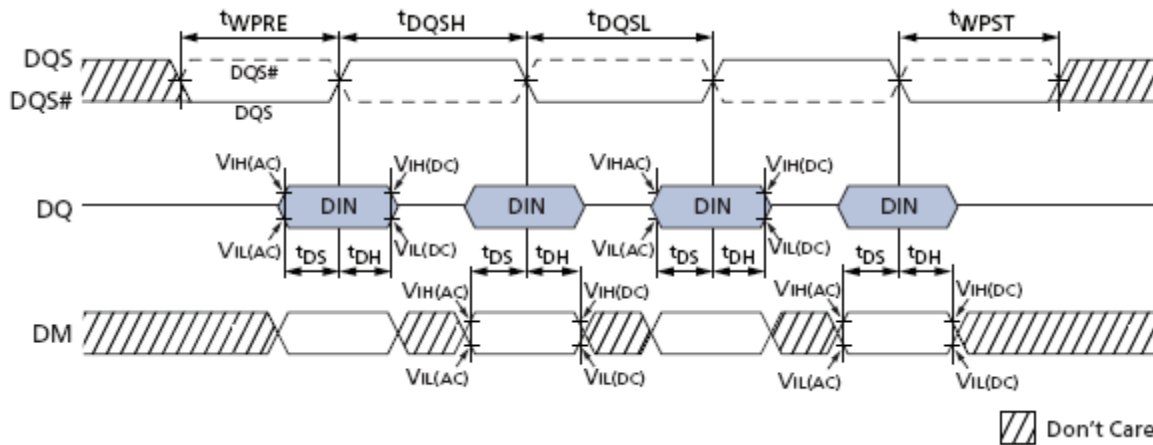
The burst WRITE command is initiated with CS# LOW, CA0 HIGH, CA1 LOW, and CA2 LOW at the rising edge of the clock. The command address bus inputs, CA5r–CA6r and CA1f–CA9f, determine the starting column address for the burst. Write latency (WL) is defined from the rising edge of the clock on which the WRITE command is issued to the rising edge of the clock from which the tDQSS delay is measured. The first valid data must be driven $WL \times tCK + tDQSS$ from the rising edge of the clock from which the WRITE command is issued. The data strobe signal (DQS) must be driven LOW tWPRE prior to data input. The burst cycle data bits must be applied to the DQ pins tDS prior to

the associated edge of the DQS and held valid until tDH after that edge. Burst data is sampled on successive edges of the DQS until the 4-, 8-, or 16-bit burst length is completed.

After a burst WRITE operation, tWR must be satisfied before a PRECHARGE command to the same bank can be issued.

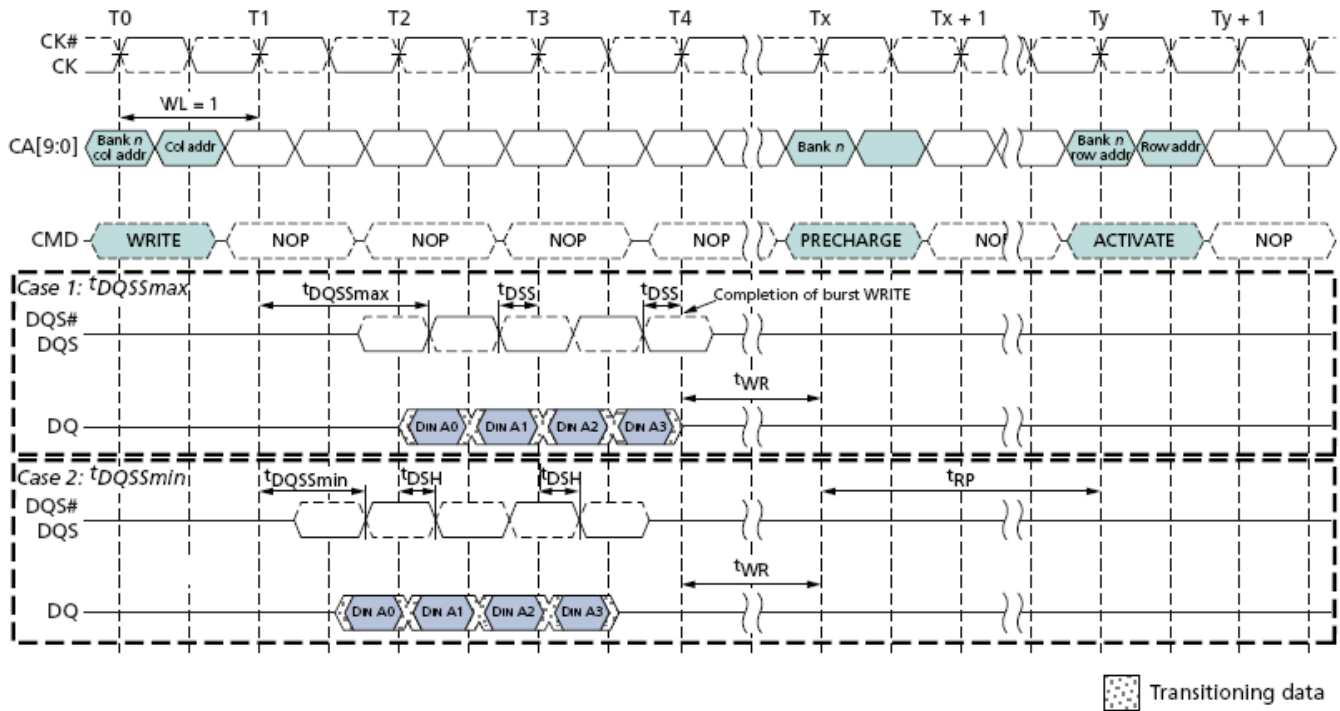
Pin input timings are measured relative to the crosspoint of DQS and its complement, DQS#.

Data Input (WRITE) Timing

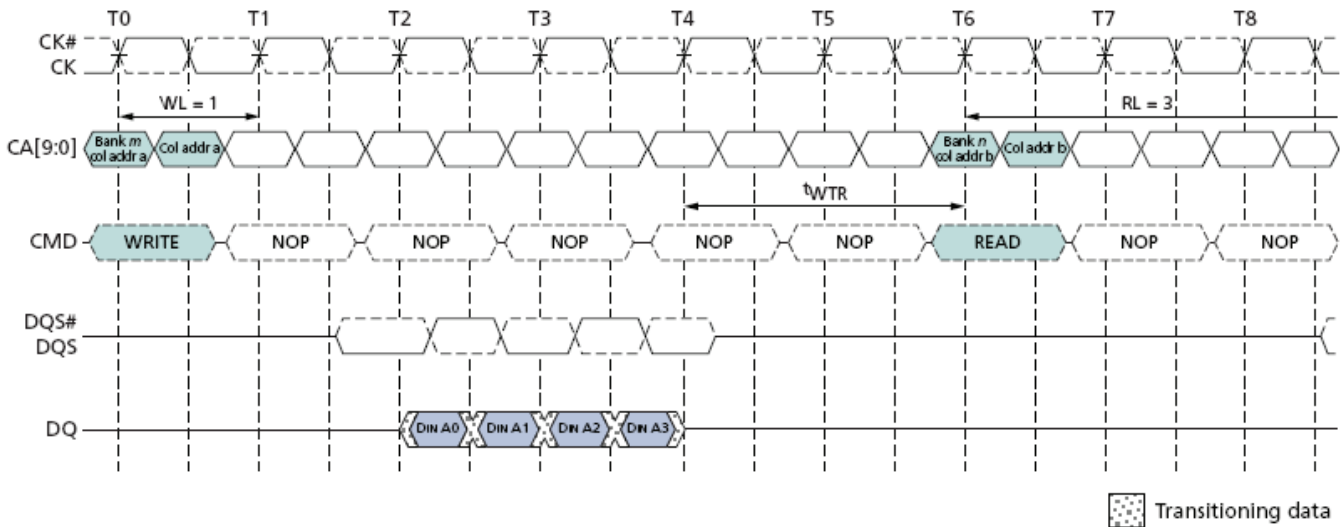


Data input (Write) timing

Burst WRITE – WL = 1, BL = 4



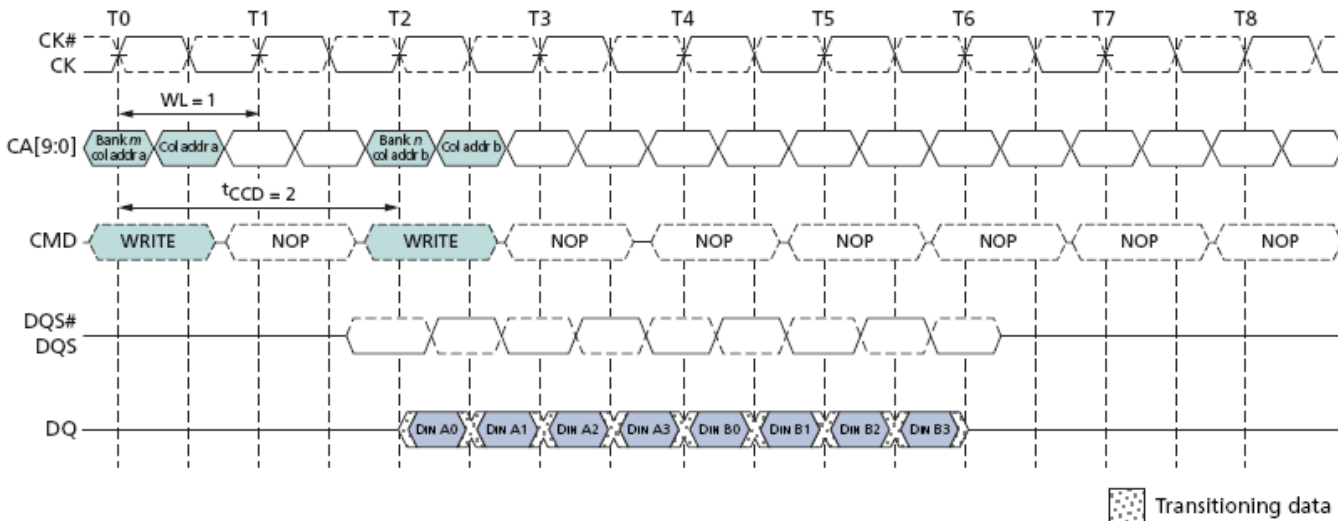
Burst WRITE Followed by Burst READ – RL = 3, WL = 1, BL = 4



Notes:

1. The minimum number of clock cycles from the burst WRITE command to the burst READ command for any bank is $[WL + 1 + BL/2 + RU(t_{WTR}/t_{CK})]$.
2. t_{WTR} starts at the rising edge of the clock after the last valid input data.
3. If a WRITE burst is truncated with a BST command, the effective burst length of the truncated WRITE burst should be used as BL to calculate the minimum WRITE-to-READ delay.

Seamless Burst WRITE – WL = 1, BL = 4, t_{CCD} = 2



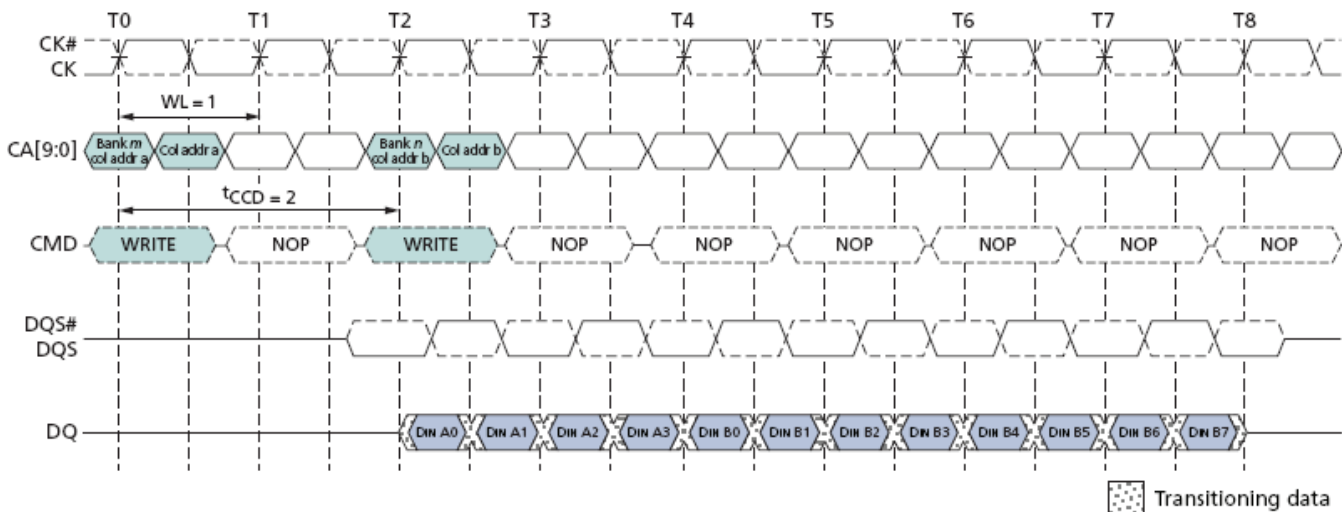
Note: The seamless burst WRITE operation is supported by enabling a WRITE command every other clock for BL = 4 operation, every four clocks for BL = 8 operation, or every eight clocks for BL = 16 operation. This operation is supported for any activated bank.

WRITES Interrupted by a WRITE

For LPDDR2-S4 devices, a burst WRITE can only be interrupted by another WRITE with a 4-bit burst boundary, provided that t_{CCD} (MIN) is met.

A WRITE burst interrupt can occur on any clock after the initial WRITE command, provided that t_{CCD} (MIN) is met.

WRITE Burst Interrupt Timing – WL = 1, BL = 8, t_{CCD} = 2



Notes:

1. WRITES can only be interrupted by other WRITES or the BST command.
2. The effective burst length of the first WRITE equals two times the number of clock cycles between the first WRITE and the interrupting WRITE

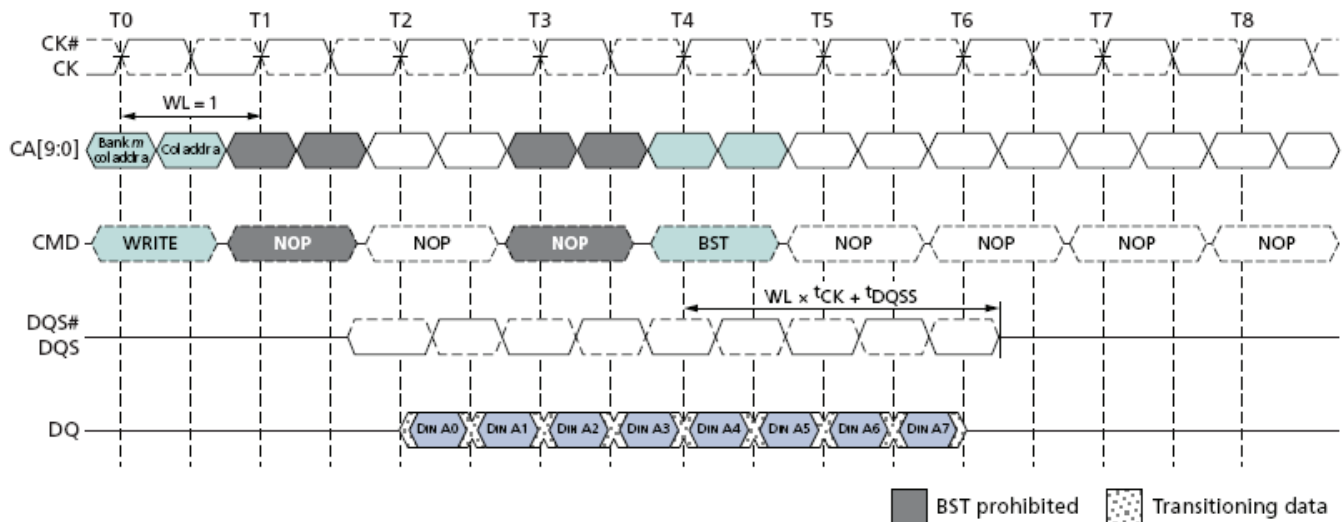
BURST TERMINATE (BST)

The BURST TERMINATE (BST) command is initiated with CS# LOW, CA0 HIGH, CA1 HIGH, CA2 LOW, and CA3 LOW at the rising edge of the clock. A BST command can only be issued to terminate an active READ or WRITE burst. Therefore, a BST command can only be issued up to and including BL/2 - 1 clock cycles after a READ or WRITE command.

The effective burst length of a READ or WRITE command truncated by a BST command is as follows:

- Effective burst length = $2 \times$ (number of clock cycles from the READ or WRITE command to the BST command).
- If a READ or WRITE burst is truncated with a BST command, the effective burst length of the truncated burst should be used for BL when calculating the minimum READ to-WRITE or WRITE-to-READ delay.
- The BST command only affects the most recent READ or WRITE command. The BST command truncates an ongoing READ burst $RL \times tCK + tDQSCK + tDQSQ$ after the rising edge of the clock where the BST command is issued. The BST command truncates an ongoing WRITE burst $WL \times tCK + tDQSS$ after the rising edge of the clock where the BST command is issued.
- The 4-bit prefetch architecture enables BST command assertion on even clock cycles following a WRITE or READ command. The effective burst length of a READ or WRITE command truncated by a BST command is thus an integer multiple of four.

Burst WRITE Truncated by BST – WL = 1, BL = 16

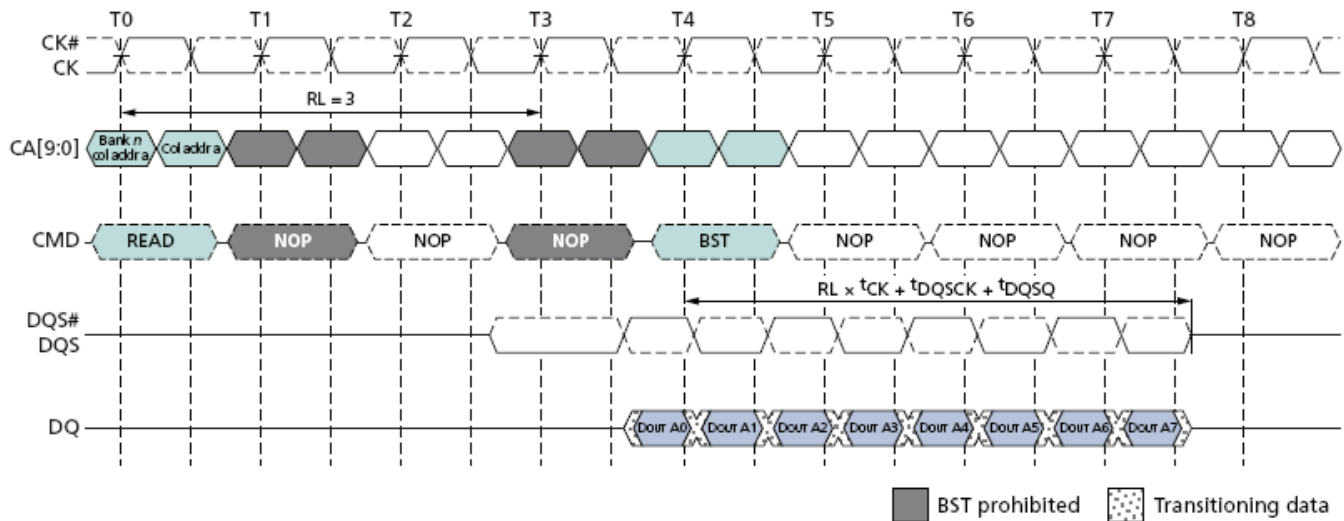


Burst Write truncated by BST: WL=1, BL=16

Notes:

1. The BST command truncates an ongoing WRITE burst $WL \times tCK + tDQSS$ after the rising edge of the clock where the BST command is issued.
2. BST can only be issued an even number of clock cycles after the WRITE command.
3. Additional BST commands are not supported after T4 and must not be issued until after the next READ or WRITE command.

Burst READ Truncated by BST – RL = 3, BL = 16



Notes:

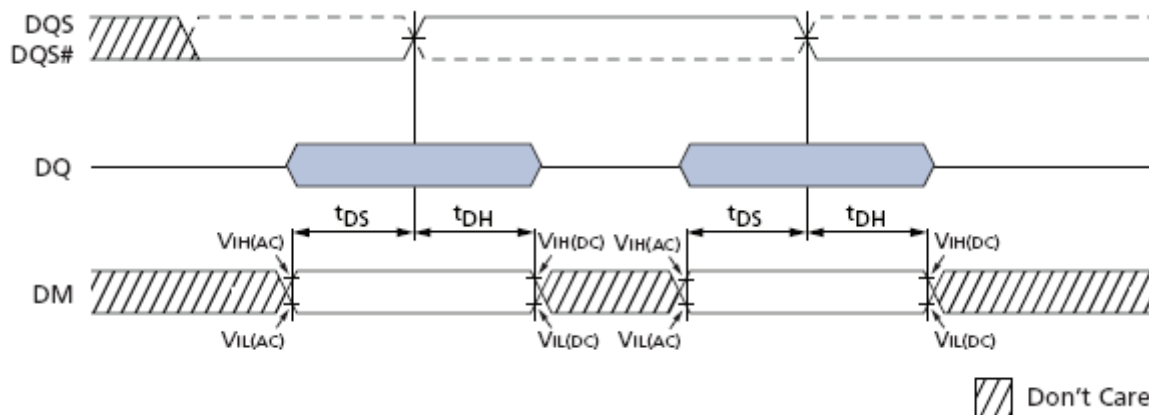
1. The BST command truncates an ongoing READ burst ($RL \times t_{CK} + t_{DQSCK} + t_{DQSQ}$) after the rising edge of the clock where the BST command is issued.
2. BST can only be issued an even number of clock cycles after the READ command.
3. Additional BST commands are not supported after T4 and must not be issued until after the next READ or WRITE command

Write Data Mask

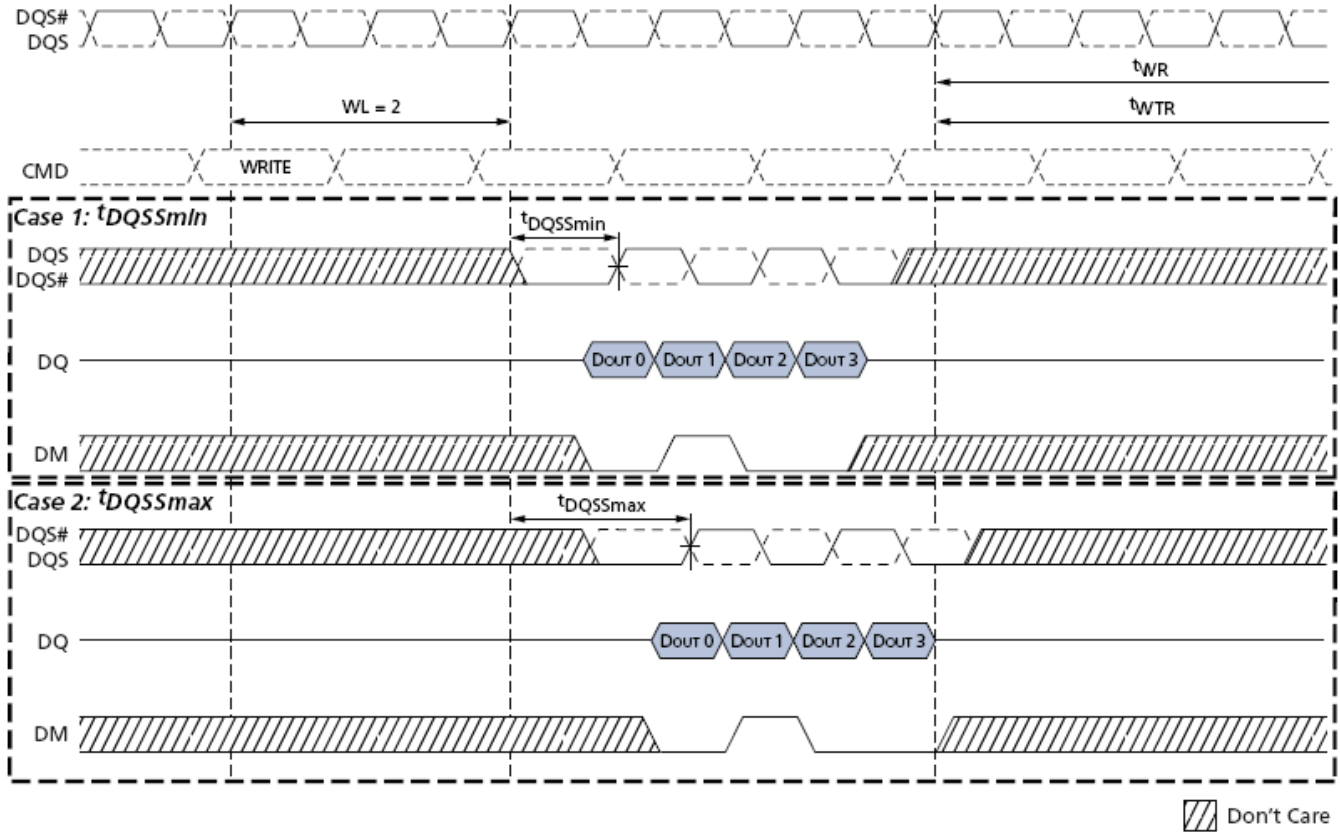
On LPDDR2 devices, one write data mask (DM) pin for each data byte (DQ) is supported, consistent with the implementation on LPDDR SDRAM. Each DM can mask its respective DQ for any given cycle of the burst. Data mask timings match data bit timing,

but are inputs only. Internal data mask loading is identical to data bit loading to ensure matched system timing.

Data Mask Timing



Write Data Mask – Second Data Bit Masked



PRECHARGE

The PRECHARGE command is used to precharge or close a bank that has been activated.

The PRECHARGE command is initiated with CS# LOW, CA0 HIGH, CA1 HIGH, CA2 LOW, and CA3 HIGH at the rising edge of the clock. The PRECHARGE command can be used to precharge each bank independently or all banks simultaneously.

For 4-bank devices, the AB flag and bank address bits BA0 and BA1 are used to determine which bank(s) to precharge. For 8-bank devices, the AB flag and the bank address bits BA0, BA1, and BA2 are used to determine which bank(s) to precharge. The precharged bank(s) will be available for subsequent row access tRPab after an all bank PRECHARGE command is issued, or tRPpb after a single-bank PRECHARGE command is issued.

In order to ensure that 8-bank devices can meet the instantaneous current demand required to operate, the row precharge time (tRP) for an all bank PRECHARGE in 8-bank devices (tRPab) will be longer than the row precharge time for a single-bank PRECHARGE (tRPpb).

For 4-bank devices, tRPab is equal to tRPpb.

Bank Selection for PRECHARGE by Address Bits

| AB (CA4r) | BA2 (CA9r) | BA1 (CA8r) | BA0 (CA7r) | Precharged Bank(s) | Precharged Bank(s) |
|-----------|------------|------------|------------|--------------------|--------------------|
| | | | | 4-bank device | 8-bank device |
| 0 | 0 | 0 | 0 | Bank 0 only | Bank 0 only |
| 0 | 0 | 0 | 1 | Bank 1 only | Bank 1 only |
| 0 | 0 | 1 | 0 | Bank 2 only | Bank 2 only |
| 0 | 0 | 1 | 1 | Bank 3 only | Bank 3 only |
| 0 | 1 | 0 | 0 | Bank 0 only | Bank 4 only |
| 0 | 1 | 0 | 1 | Bank 1 only | Bank 5 only |
| 0 | 1 | 1 | 0 | Bank 2 only | Bank 6 only |
| 0 | 1 | 1 | 1 | Bank 3 only | Bank 7 only |
| 1 | Don't care | Don't care | Don't care | All Banks | All Banks |

Bank selection for Precharge by address bits

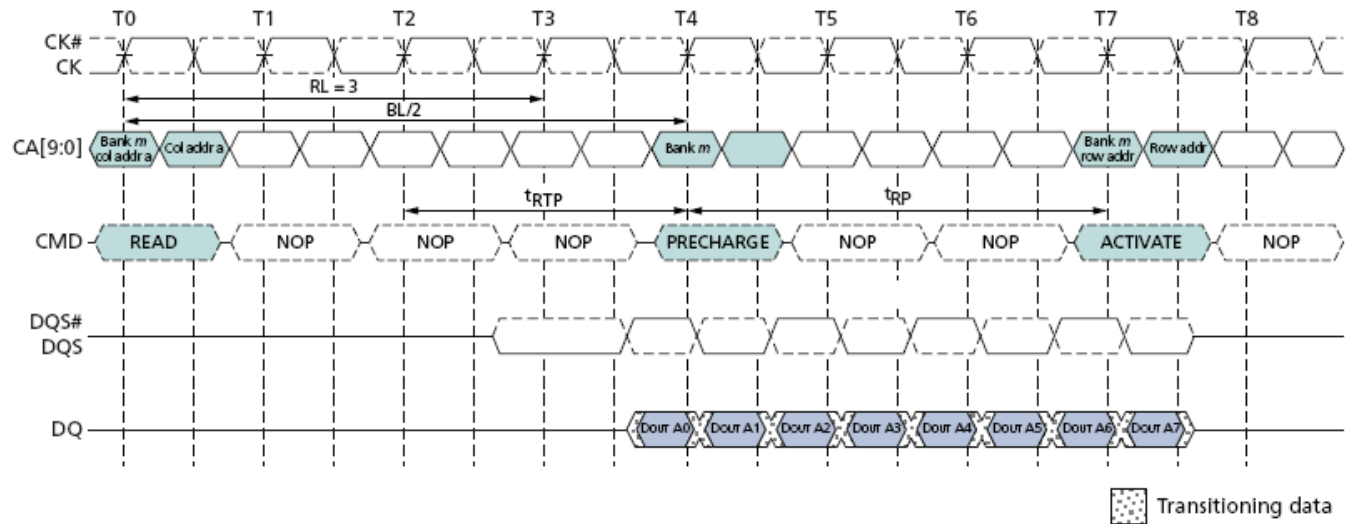
READ Burst operation Followed by PRECHARGE

For the earliest possible precharge, the PRECHARGE command can be issued BL/2 clock cycles after a READ command. A new bank ACTIVATE command can be issued to the same bank after the row precharge time (tRP) has elapsed. A PRECHARGE command cannot be issued until after tRAS is satisfied.

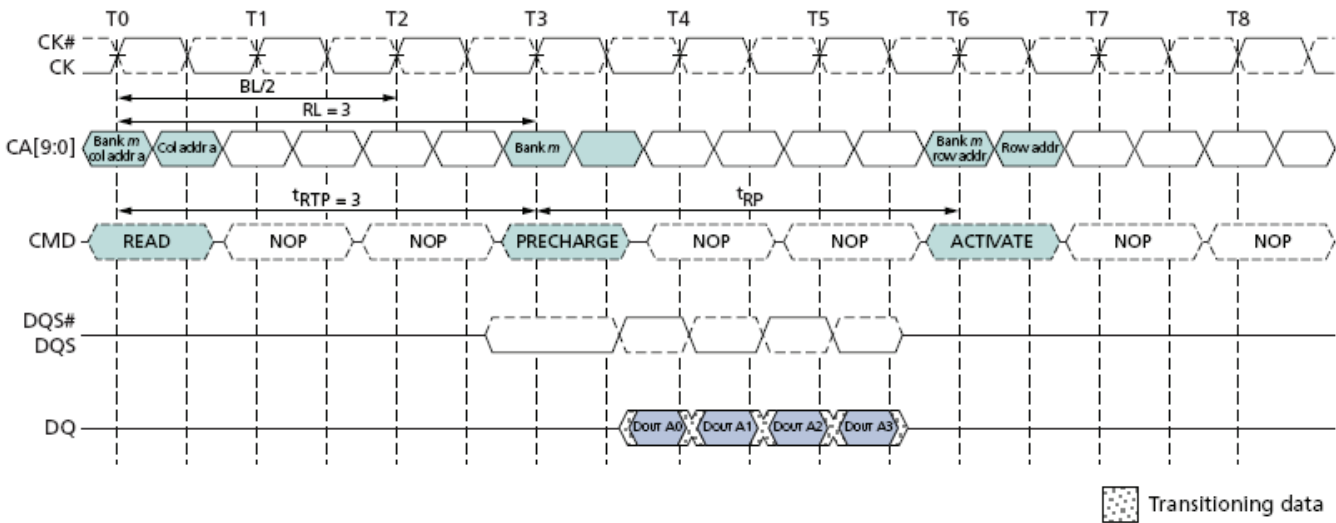
The minimum READ-to-PRECHARGE time (tRTP) must also satisfy a minimum analog time from the rising clock edge that initiates the last 4-bit prefetch of a READ command. tRTP begins BL/2 - 2 clock cycles after the READ command.

If the burst is truncated by a BST command, the effective BL value is used to calculate when tRTP begins.

READ Burst Followed by PRECHARGE – RL = 3, BL = 8, $RU(tRTP(MIN)/tCK) = 2$



READ Burst Followed by PRECHARGE – RL = 3, BL = 4, $RU(t_{RTP}(\text{MIN})/t_{CK}) = 3$



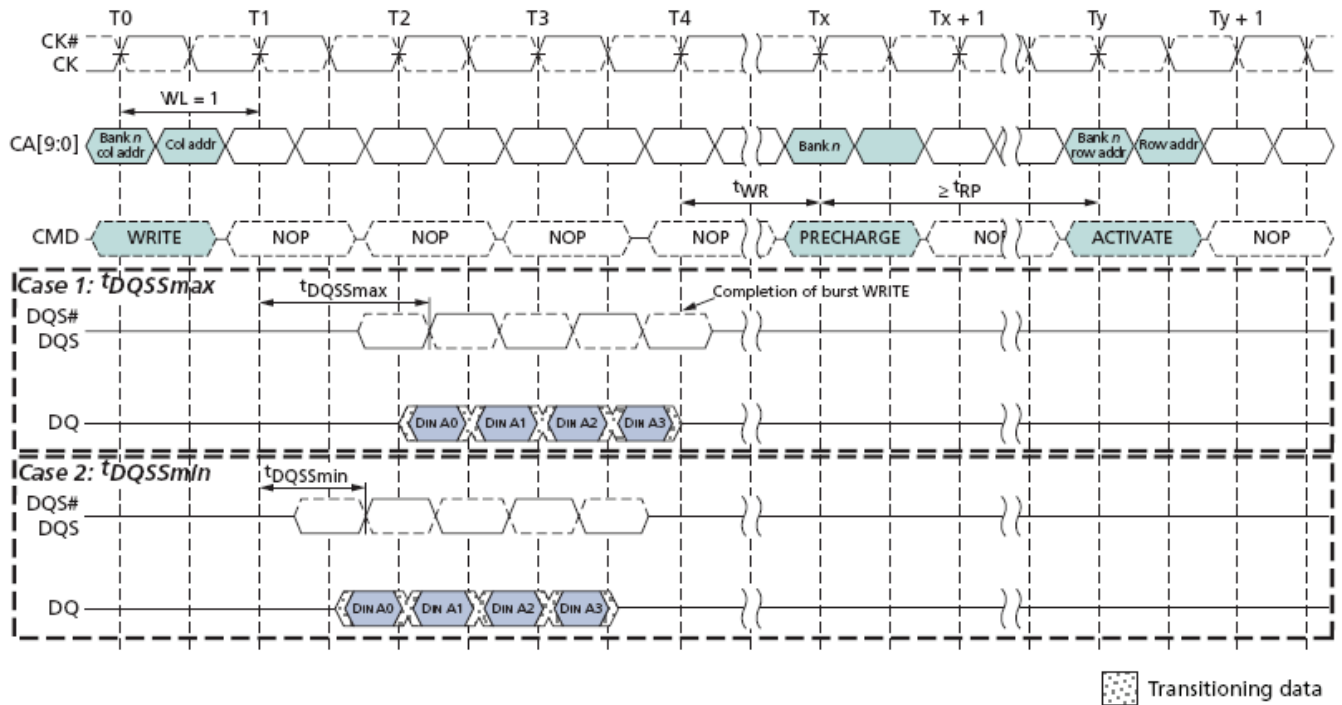
WRITE Burst operation Followed by PRECHARGE

For WRITE cycles, a WRITE recovery time (t_{WR}) must be provided before a PRECHARGE command can be issued. This delay is referenced from the last valid burst input data to the completion of the burst WRITE. The PRECHARGE command must not be issued prior to the t_{WR} delay.

These devices write data to the array in prefetch quadruples (prefetch = 4). An internal WRITE operation can only begin after a prefetch group has been completely latched.

The minimum WRITE-to-PRECHARGE time for commands to the same bank is $WL + BL/2 + 1 + RU(t_{WR}/t_{CK})$ clock cycles. For untruncated bursts, BL is the value set in the mode register. For truncated bursts, BL is the effective burst length.

WRITE Burst Followed by PRECHARGE – $WL = 1$, $BL = 4$



Auto Precharge

Before a new row can be opened in an active bank, the active bank must be precharged using either the PRECHARGE command or the auto precharge function. When a READ or WRITE command is issued to the device, the auto precharge bit (AP) can be set to enable the active bank to automatically begin precharge at the earliest possible moment during the burst READ or WRITE cycle.

If AP is LOW when the READ or WRITE command is issued, then normal READ or WRITE burst operation is executed and the bank remains active at the completion of the burst.

If AP is HIGH when the READ or WRITE command is issued, the auto precharge function is engaged. This feature enables the PRECHARGE operation to be partially or completely hidden during burst READ cycles (dependent upon READ or WRITE latency), thus improving system performance for random data access.

READ Burst with Auto Precharge

If AP (CA0f) is HIGH when a READ command is issued, the READ with auto precharge function is engaged.

These devices start an auto precharge on the rising edge of the clock $BL/2$ or $BL/2 - 2 + RU(tRTP/tCK)$ clock cycles later than the READ with auto precharge command, whichever is greater. For auto precharge calculations see following table.

LPDDR2-S4: PRECHARGE and Auto Precharge Clarification

| LPDDR2-S4: Precharge & Auto Precharge clarification | | | | |
|---|--|--|------|-------|
| From Command | To Command | Minimum Delay between "From Command" to "To Command" | Unit | Notes |
| Read | Precharge (to same Bank as Read) | $BL/2 + \max(2, RU(^tRTP/^tCK)) - 2$ | clks | 1 |
| | Precharge All | $BL/2 + \max(2, RU(^tRTP/^tCK)) - 2$ | clks | 1 |
| BST (for Reads) | Precharge (to same Bank as Read) | 1 | clks | 1 |
| | Precharge All | 1 | clks | 1 |
| Read w/AP | Precharge (to same Bank as Read w/AP) | $BL/2 + \max(2, RU(^tRTP/^tCK)) - 2$ | clks | 1,2 |
| | Precharge All | $BL/2 + \max(2, RU(^tRTP/^tCK)) - 2$ | clks | 1 |
| | Activate (to same Bank as Read w/AP) | $BL/2 + \max(2, RU(^tRTP/^tCK)) - 2 + RU(^tRP/^tCK)$ | clks | 1 |
| | Write or Write w/AP (same bank) | illegal | clks | 3 |
| | Write or Write w/AP (different bank) | $RL + BL/2 + RU(^tDQSCk_{max}/^tCK) - WL + 1$ | clks | 3 |
| | Read or Read w/AP (same bank) | illegal | clks | 3 |
| | Read or Read w/AP (different bank) | $BL/2$ | clks | 3 |
| Write | Precharge (to same Bank as Write) | $WL + BL/2 + RU(^tWR/^tCK) + 1$ | clks | 1 |
| | Precharge All | $WL + BL/2 + RU(^tWR/^tCK) + 1$ | clks | 1 |
| BST (for Writes) | Precharge (to same Bank as Write) | $WL + RU(^tWR/^tCK) + 1$ | clks | 1 |
| | Precharge All | $WL + RU(^tWR/^tCK) + 1$ | clks | 1 |
| Write w/AP | Precharge (to same Bank as Write w/AP) | $WL + BL/2 + RU(^tWR/^tCK) + 1$ | clks | 1 |
| | Precharge All | $WL + BL/2 + RU(^tWR/^tCK) + 1$ | clks | 1 |
| | Activate (to same Bank as Write w/AP) | $WL + BL/2 + RU(^tWR/^tCK) + 1 + RU(^tRP_{pb}/^tCK)$ | clks | 1 |
| | Write or Write w/AP (same bank) | illegal | clks | 3 |
| | Write or Write w/AP (different bank) | $BL/2$ | clks | 3 |
| | Read or Read w/AP (same bank) | illegal | clks | 3 |
| | Read or Read w/AP (different bank) | $WL + BL/2 + RU(^tWTR/^tCK) + 1$ | clks | 3 |
| Precharge | Precharge (to same Bank as Precharge) | 1 | clks | 1 |
| | Precharge All | 1 | clks | 1 |
| Precharge All | Precharge | 1 | clks | 1 |
| | Precharge All | 1 | clks | 1 |

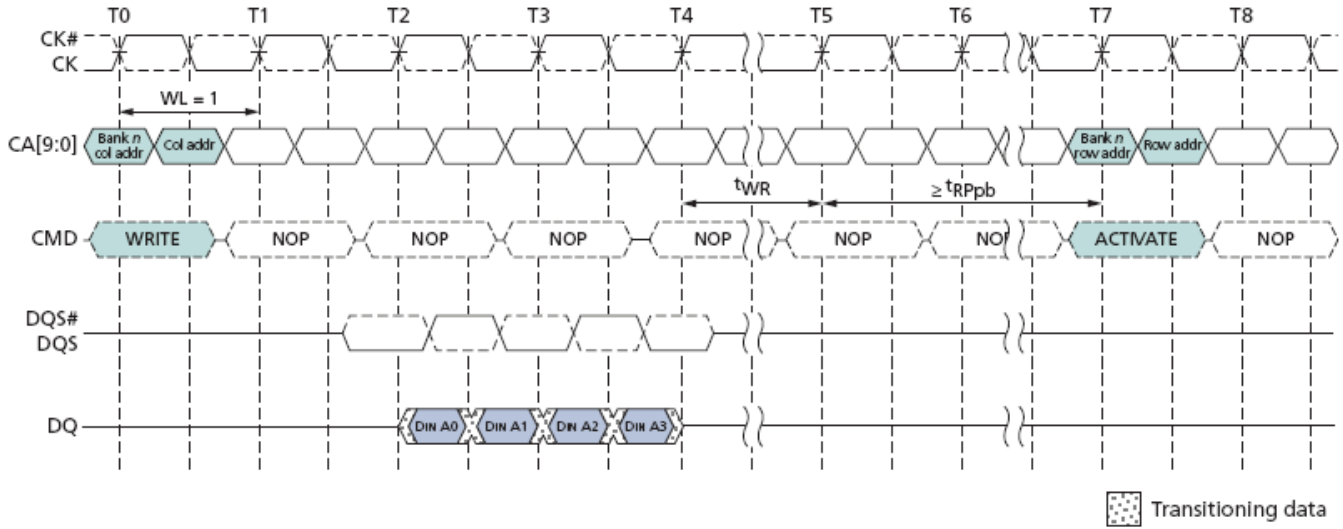
Notes:

- For a given bank, the PRECHARGE period should be counted from the latest PRECHARGE command—either a one-bank PRECHARGE or PRECHARGE ALL—issued to that bank.
The PRECHARGE period is satisfied after tRP, depending on the latest PRECHARGE command issued to that bank.
- Any command issued during the specified minimum delay time is illegal.
- After READ with auto precharge, seamless READ operations to different banks are supported.
After WRITE with auto precharge, seamless WRITE operations to different banks are supported. READ with auto precharge and WRITE with auto precharge must not be interrupted or truncated.

Following an auto precharge operation, an ACTIVATE command can be issued to the same bank if the following two conditions are satisfied simultaneously:

- The RAS precharge time (tRP) has been satisfied from the clock at which the auto precharge begins.
- The RAS cycle time (tRC) from the previous bank activation has been satisfied.

READ Burst with Auto Precharge – RL = 3, BL = 4, $RU(t_{RTP}(\text{MIN})/t_{CK}) = 2$



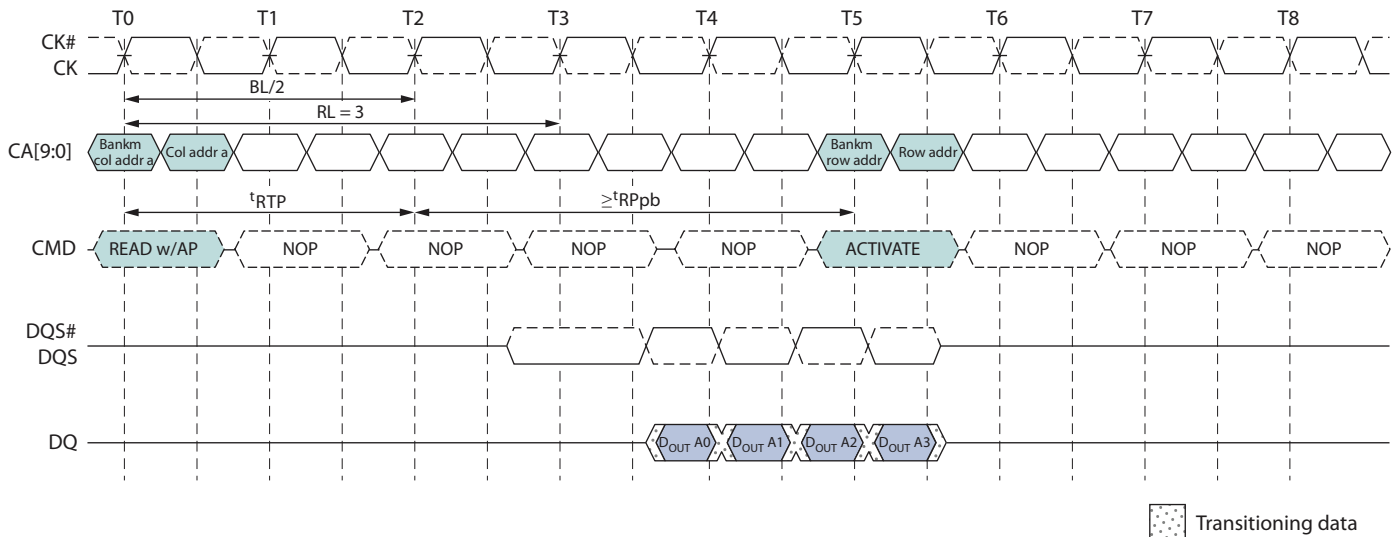
WRITE Burst operation Followed by PRECHARGE

For WRITE cycles, a WRITE recovery time (t_{WR}) must be provided before a PRECHARGE command can be issued. This delay is referenced from the last valid burst input data to the completion of the burst WRITE. The PRECHARGE command must not be issued prior to the t_{WR} delay.

These devices write data to the array in prefetch quadruples (prefetch = 4). An internal WRITE operation can only begin after a prefetch group has been completely latched.

The minimum WRITE-to-PRECHARGE time for commands to the same bank is $WL + BL/2 + 1 + RU(t_{WR}/t_{CK})$ clock cycles. For untruncated bursts, BL is the value set in the mode register. For truncated bursts, BL is the effective burst length.

WRITE Burst Followed by PRECHARGE – $WL = 1, BL = 4$



REFRESH

The REFRESH command is initiated with CS# LOW, CA0 LOW, CA1 LOW, and CA2 HIGH at the rising edge of the clock. Per-bank REFRESH is initiated with CA3 LOW at the rising edge of the clock. All-bank REFRESH is initiated with CA3 HIGH at the rising edge of the clock. Per-bank REFRESH is only supported in devices with eight banks.

A per-bank REFRESH command (REFpb) performs a per-bank REFRESH operation to the bank scheduled by the bank counter in the memory device. The bank sequence for per-bank REFRESH is fixed to be a sequential round-robin: 0-1-2-3-4-5-6-7-0-1-.... The bank count is synchronized between the controller and the SDRAM by resetting the bank count to zero. Synchronization can occur upon issuing a RESET command or at every exit from self refresh. Bank addressing for the per-bank REFRESH count is the same as established for the single-bank PRECHARGE command.

A bank must be idle before it can be refreshed. The controller must track the bank being refreshed by the per-bank REFRESH command.

The REFpb command must not be issued to the device until the following conditions have been met:

- tRFCab has been satisfied after the prior REFab command
- tRFCpb has been satisfied after the prior REFpb command
- tRP has been satisfied after the prior PRECHARGE command to that bank
- tRRD has been satisfied after the prior ACTIVATE command (if applicable, for example after activating a row in a different bank than the one affected by the REFpb command)

The target bank is inaccessible during per-bank REFRESH cycle time (tRFCpb), however, other banks within the device are accessible and can be addressed during the cycle.

During the REFpb operation, any of the banks other than the one being refreshed can be maintained in an active state or accessed by a READ or WRITE command.

When the per-bank REFRESH cycle has completed, the affected bank will be in the idle state.

After issuing REFpb, the following conditions must be met:

- tRFCpb must be satisfied before issuing a REFab command
- tRFCpb must be satisfied before issuing an ACTIVATE command to the same bank
- tRRD must be satisfied before issuing an ACTIVATE command to a different bank
- tRFCpb must be satisfied before issuing another REFpb command

An all-bank REFRESH command (REF_{ab}) issues a REFRESH command to all banks. All banks must be idle when REF_{ab} is issued (for instance, by issuing a PRECHARGE ALL command prior to issuing an all-bank REFRESH command). REF_{ab} also synchronizes the bank count between the controller and the SDRAM to zero. The REF_{ab} command must not be issued to the device until the following conditions have been met:

- tRFC_{ab} has been satisfied following the prior REF_{ab} command
- tRFC_{pb} has been satisfied following the prior REF_{pb} command
- tRP has been satisfied following the prior PRECHARGE commands

After an all-bank REFRESH cycle has completed, all banks will be idle. After issuing REF_{ab}:

- tRFC_{ab} latency must be satisfied before issuing an ACTIVATE command
- tRFC_{ab} latency must be satisfied before issuing a REF_{ab} or REF_{pb} command

REFRESH Command Scheduling Separation Requirements

| Command Scheduling Separations related to Refresh | | | |
|---|--------------------|---|-------|
| Symbol | minimum delay from | to | Notes |
| tRFC _{ab} | REF _{ab} | REF _{ab} | |
| | | Activate cmd to <i>any</i> bank . | |
| tRFC _{pb} | REF _{pb} | REF _{pb} | |
| | | REF _{ab} | |
| | | Activate cmd to <i>same</i> bank as REF _{pb} | |
| tRRD | REF _{pb} | Activate cmd to <i>different</i> bank than REF _{pb} | |
| | Activate | REF _{pb} affecting an idle bank (different bank than Activate) | 1 |
| | | Activate cmd to <i>different</i> bank than prior Activate | |

Note: A bank must be in the idle state before it is refreshed, so REF_{ab} is prohibited following an ACTIVATE command. REF_{pb} is supported only if it affects a bank that is in the idle state.

The LPDDR2 devices provide significant flexibility in scheduling REFRESH commands as long as the required boundary conditions are met (see figure of tSRF Definition).

In the most straightforward implementations, a REFRESH command should be scheduled every tREFI. In this case, self refresh can be entered at any time.

Users may choose to deviate from this regular refresh pattern, for instance, to enable a period in which no refresh is required. As an example, using a 1Gb LPDDR2 device, the user can choose to issue a refresh burst of 4096 REFRESH commands at the maximum supported rate (limited by tREFBW), followed by an extended period without issuing any REFRESH commands, until the refresh window is complete. The maximum supported time without REFRESH commands is calculated as follows: $tREFW - (R/8) \times tREFBW = tREFW - R \times 4 \times tRFCab$.

For example, a 1Gb device at $TC \leq 85^{\circ}C$ can be operated without a refresh for up to $32ms - 4096 \times 4 \times 130ns \approx 30ms$.

Both the regular and the burst/pause patterns can satisfy refresh requirements if they are repeated in every 32ms window. It is critical to satisfy the refresh requirement in every rolling refresh window during refresh pattern transitions. The supported transition from a burst pattern to a regular distributed pattern is shown in figure of Supported Transition from Repetitive REFRESH Burst .

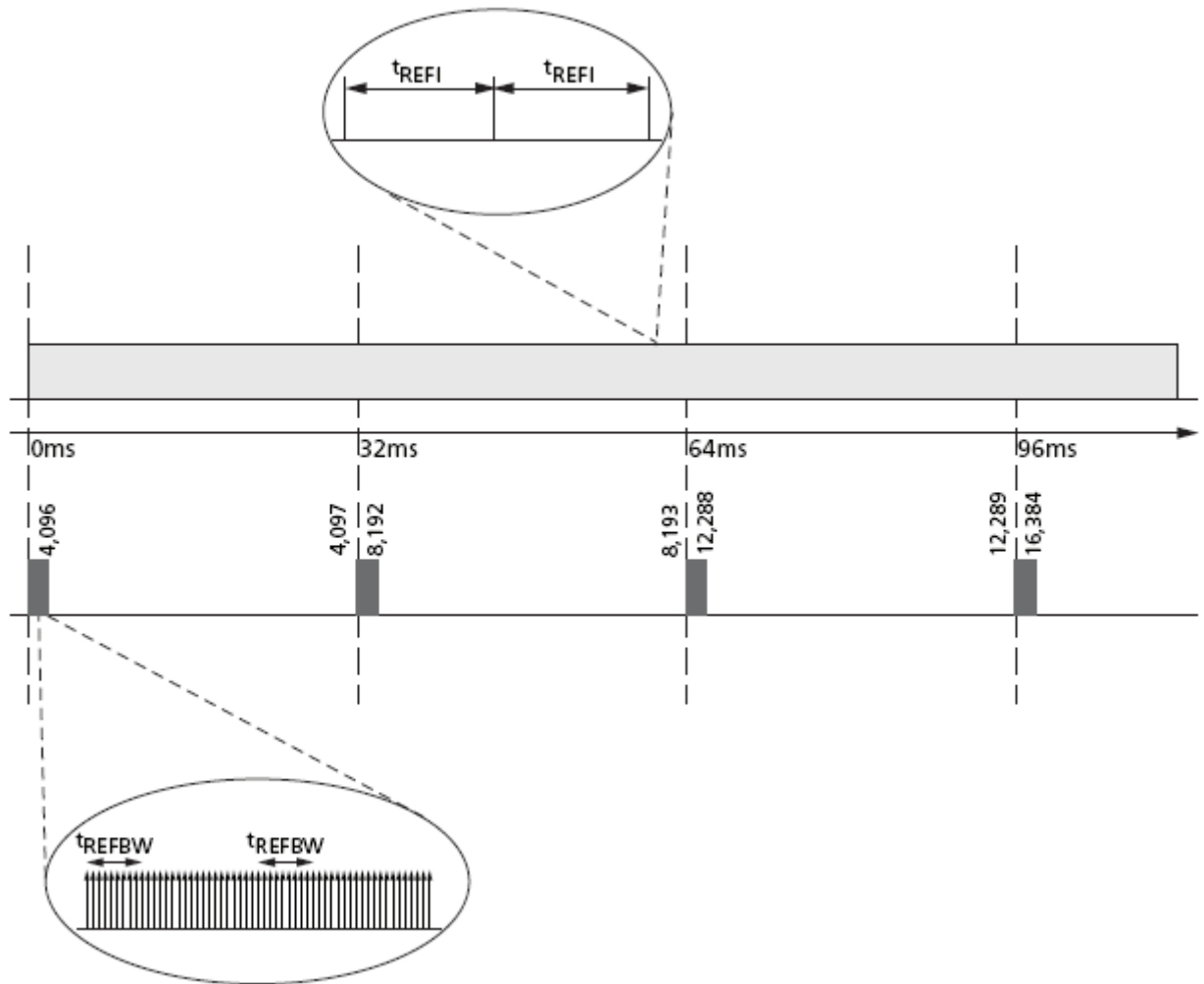
If this transition occurs immediately after the burst refresh phase, all rolling tREFW intervals will meet the minimum required number of REFRESH commands.

A nonsupported transition is shown in Figure of Nonsupported Transition from Repetitive REFRESH Burst . In this example, the regular refresh pattern starts after the completion of the pause phase of the burst/pause refresh pattern. For several rolling tREFW intervals, the minimum number of REFRESH commands is not satisfied.

Understanding this pattern transition is extremely important, even when only one pattern is employed. In self refresh mode, a regular distributed refresh pattern must be assumed.

ISSI recommends entering self refresh mode immediately following the burst phase of a burst/pause refresh pattern; upon exiting self refresh, begin with the burst phase (see Figure of Recommended Self Refresh Entry and Exit).

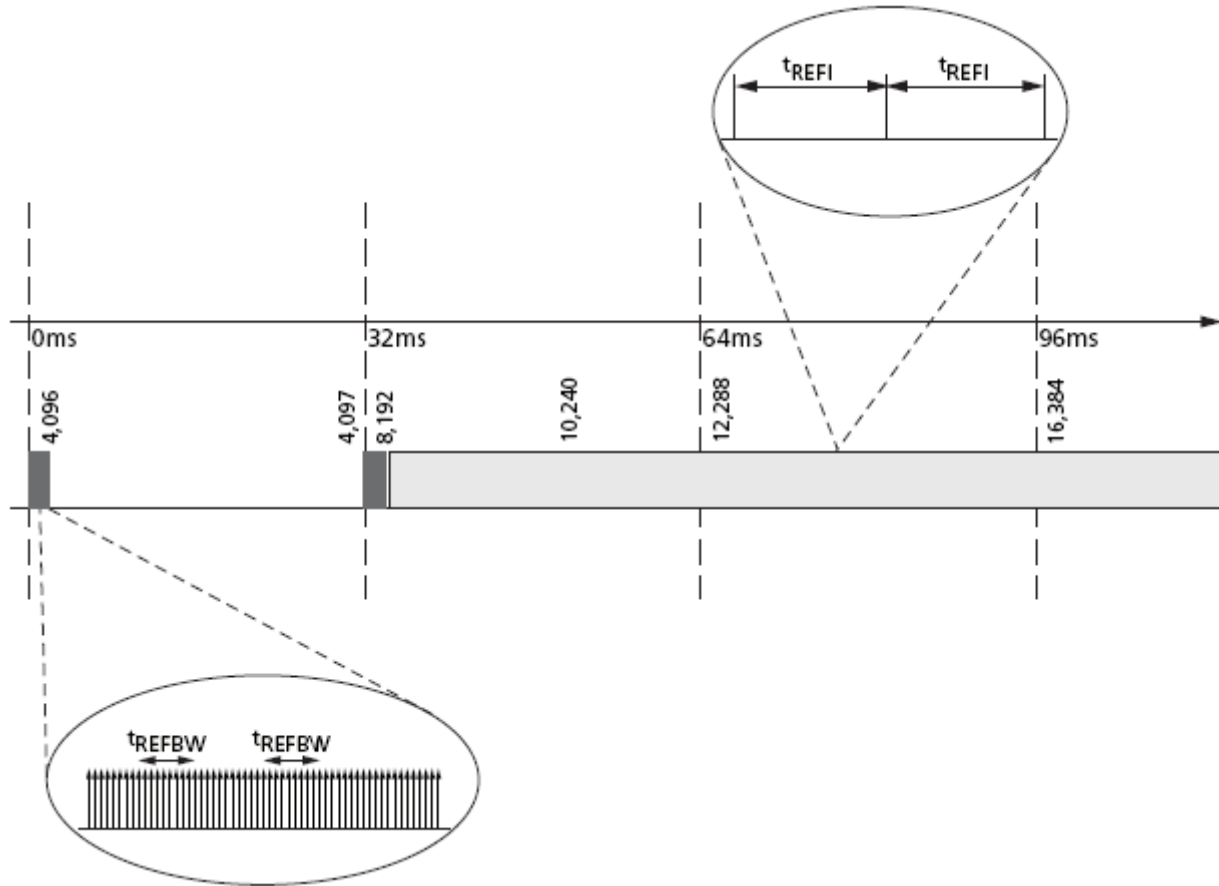
Regular Distributed Refresh Pattern



Notes:

1. Compared to repetitive burst REFRESH with subsequent REFRESH pause.
2. As an example, in a 1Gb LPDDR2 device at $TC \leq 85^{\circ}C$, the distributed refresh pattern has one REFRESH command per 7.8 μ s; the burst refresh pattern has one REFRESH command per 0.52 μ s, followed by ≈ 30 ms without any REFRESH command.

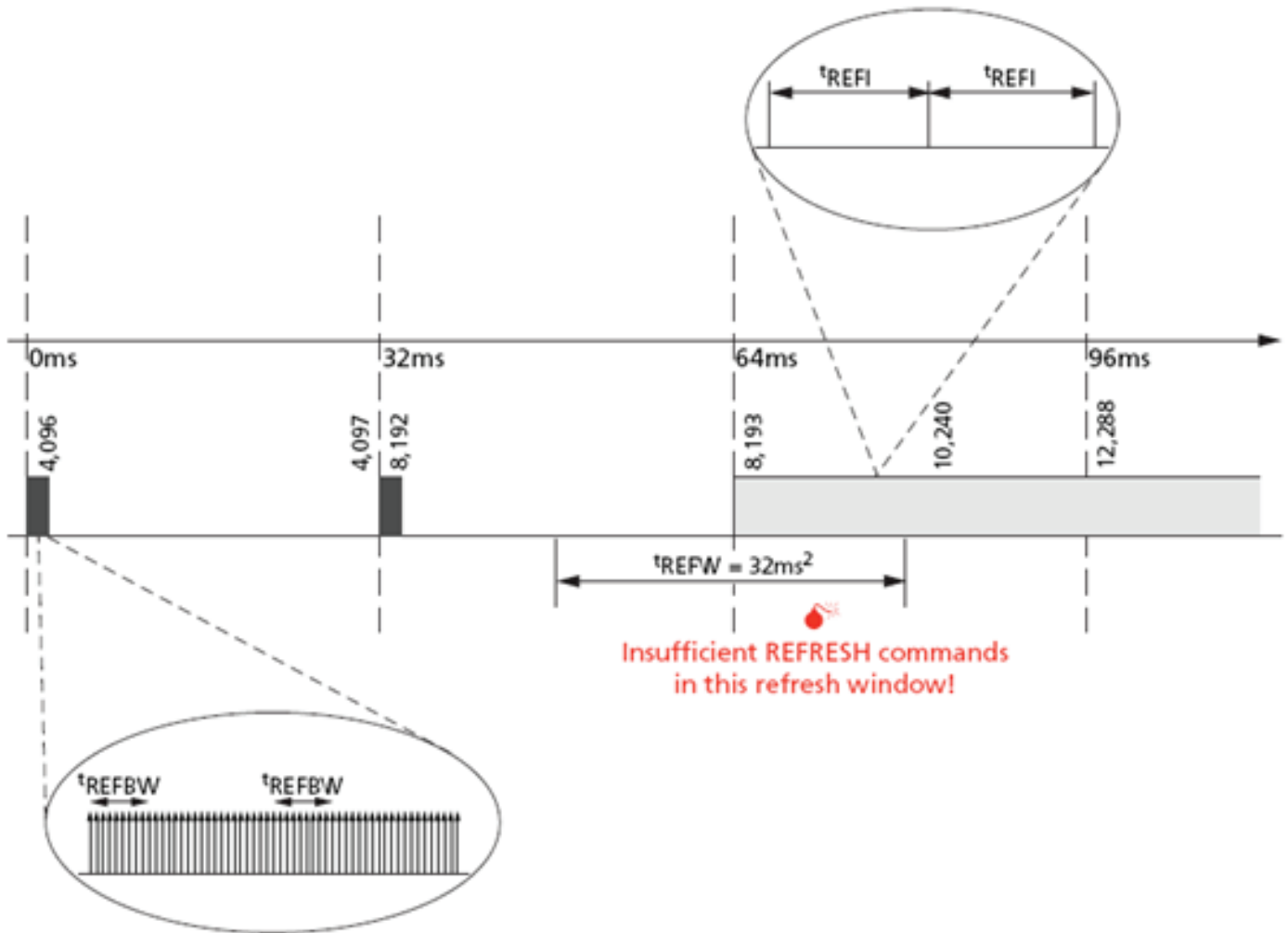
Supported Transition from Repetitive REFRESH Burst



Notes:

1. Shown with subsequent REFRESH pause to regular distributed refresh pattern.
2. As an example, in a 1Gb LPDDR2 device at $TC \leq 85^{\circ}C$, the distributed refresh pattern has one REFRESH command per $7.8\mu s$; the burst refresh pattern has one REFRESH command per $0.52\mu s$, followed by $\approx 30ms$ without any REFRESH command

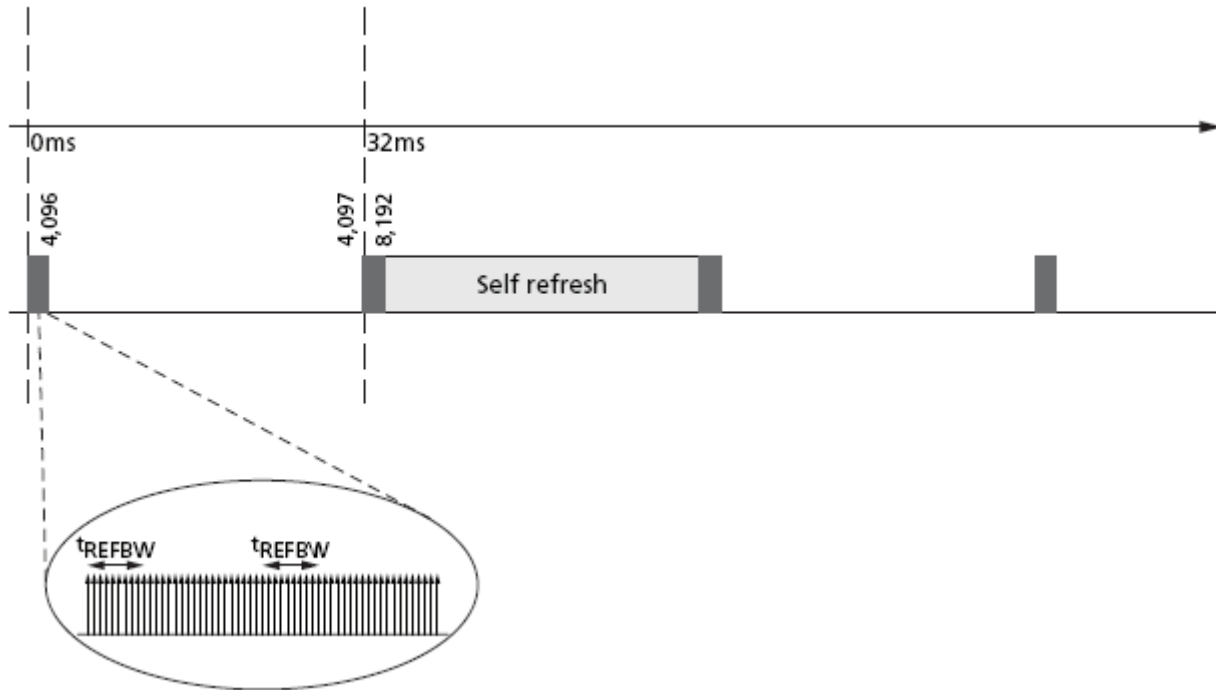
Nonsupported Transition from Repetitive REFRESH Burst



Notes:

1. Shown with subsequent REFRESH pause to regular distributed refresh pattern.
2. There are only ≈ 2048 REFRESH commands in the indicated t_{REFW} window. This does not provide the required minimum number of REFRESH commands (R).

Recommended Self Refresh Entry and Exit



Note: In conjunction with a burst/pause refresh pattern

REFRESH Requirements

1. Minimum Number of REFRESH Commands

Mobile LPDDR2 requires a minimum number, R, of REFRESH (REFab) commands within any rolling refresh window ($t_{REFW} = 32 \text{ ms} @ MR4[2:0] = 011$ or $TC \leq 85^\circ\text{C}$). For actual values per density and the resulting average refresh interval (t_{REFI}).

For t_{REFW} and t_{REFI} refresh multipliers at different MR4 settings, see the MR4 Device Temperature ($MA[7:0] = 04h$) table.

For devices supporting per-bank REFRESH, a REFab command can be replaced by a full cycle of eight REFpb commands.

2. Burst REFRESH Limitation

To limit current consumption, a maximum of eight REFab commands can be issued in any rolling t_{REFBW} ($t_{REFBW} = 4 \times 8 \times t_{RFCab}$). This condition does not apply if REFpb commands are used.

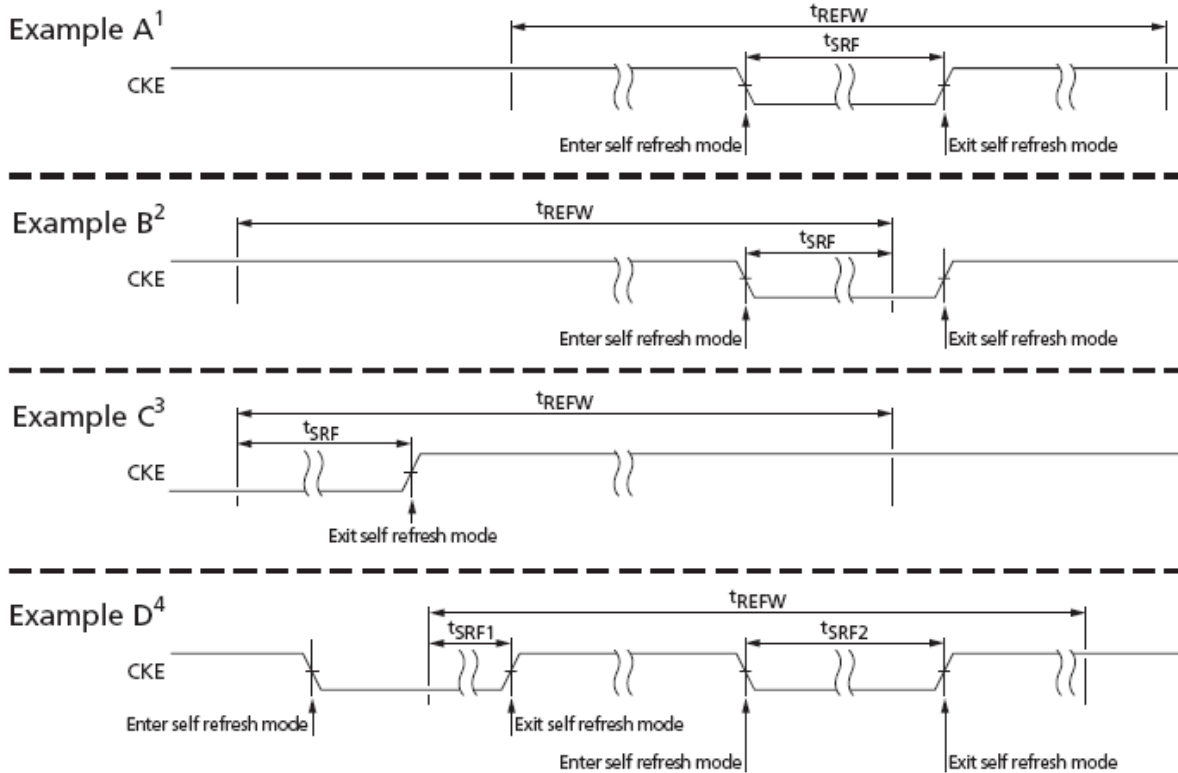
3. REFRESH Requirements and Self Refresh

If any time within a refresh window is spent in self refresh mode, the number of required REFRESH commands in that window is reduced to the following:

$$R' = RU \ tSRF / t_{REFI} = R - RU \times R \times tSRF / t_{REFW}$$

Where RU represents the round-up function.

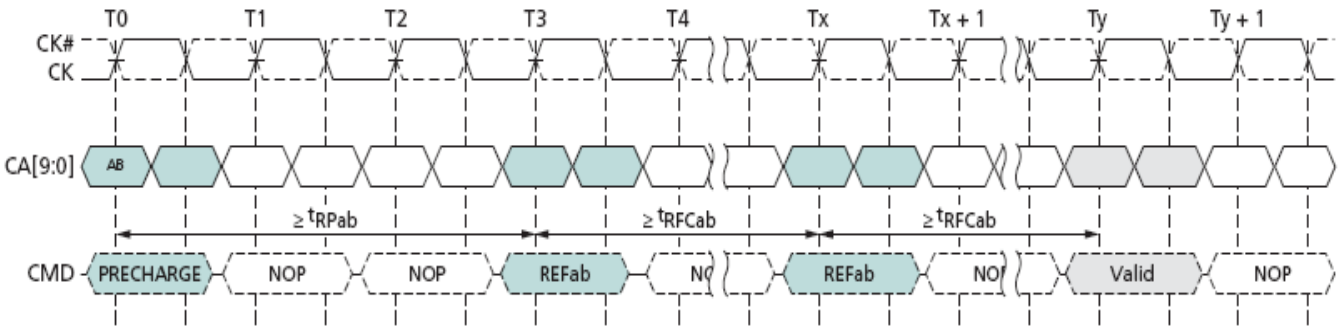
tSRF Definition



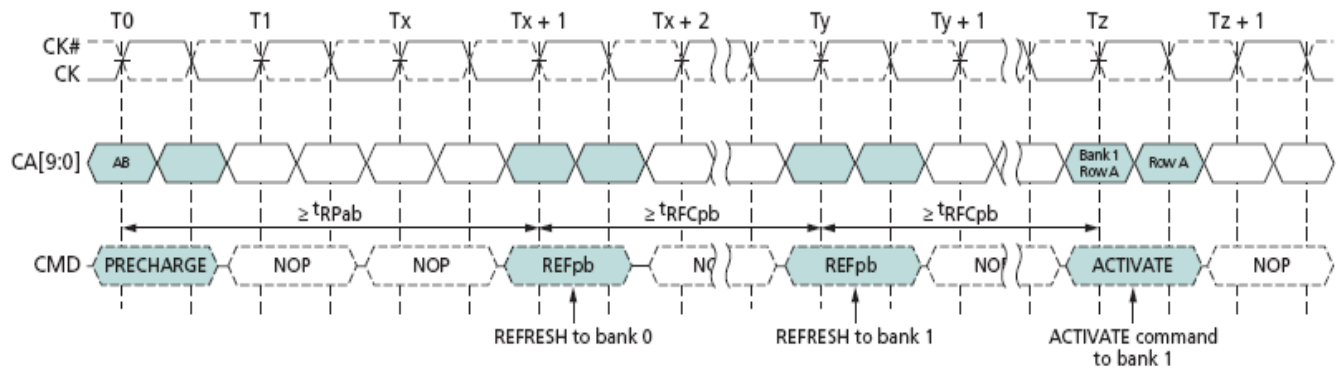
Notes:

1. Time in self refresh mode is fully enclosed in the refresh window (t_{REFW}).
2. At self refresh entry.
3. At self refresh exit.
4. Several intervals in self refresh during one t_{REFW} interval. In this example, $t_{SRF} = t_{SRF1} + t_{SRF2}$.

All-Bank REFRESH Operation



Per-Bank REFRESH Operation



Notes:

1. Prior to T0, the REFpb bank counter points to bank 0.
2. Operations to banks other than the bank being refreshed are supported during the tRFCpb period

SELF REFRESH Operation

The SELF REFRESH command can be used to retain data in the array, even if the rest of the system is powered down. When in the self refresh mode, the device retains data without external clocking. The device has a built-in timer to accommodate SELF REFRESH operation. The SELF REFRESH command is executed by taking CKE LOW, CS# LOW, CA0 LOW, CA1 LOW, and CA2 HIGH at the rising edge of the clock.

CKE must be HIGH during the clock cycle preceding a SELF REFRESH command. A NOP command must be driven in the clock cycle following the SELF REFRESH command.

After the power-down command is registered, CKE must be held LOW to keep the device in self refresh mode. LPDDR2-S4 devices can operate in self refresh mode in both the standard and extended temperature ranges. These devices also manage self refresh power consumption

when the operating temperature changes, resulting in the lowest possible power consumption across the operating temperature range.

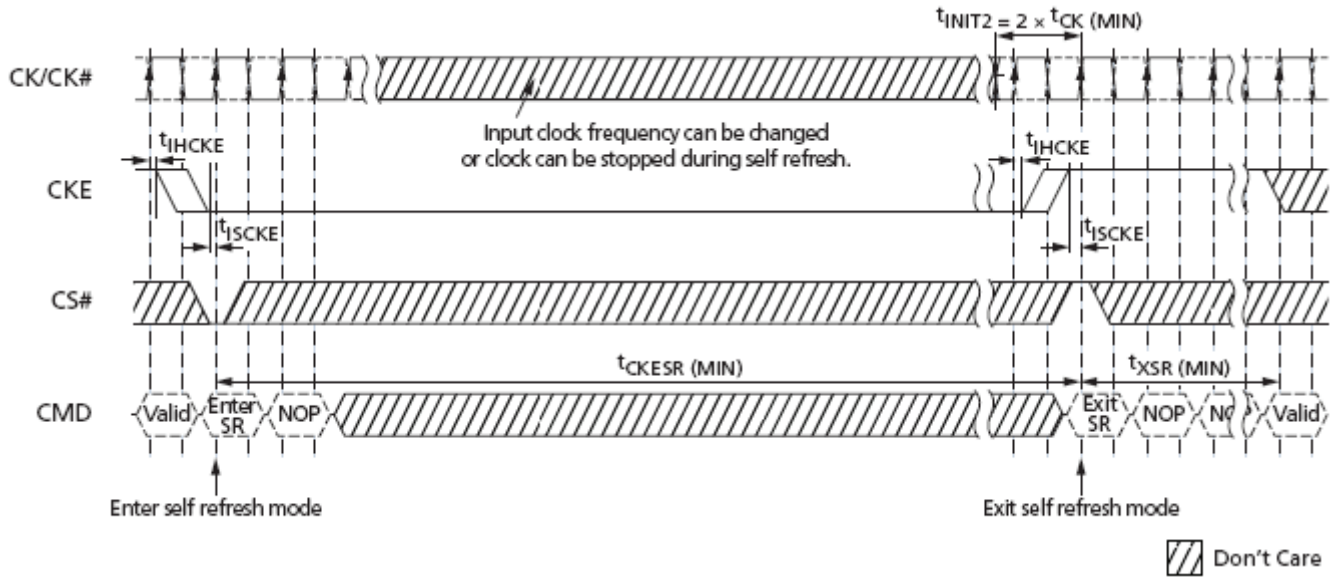
After the device has entered self refresh mode, all external signals other than CKE are “Don’t Care.” For proper self refresh operation, power supply pins (VDD1, VDD2, VDDQ, and VDDCA) must be at valid levels. VDDQ can be turned off during self refresh. If VDDQ is turned off, VREFDQ must also be turned off. Prior to exiting self refresh, both VDDQ and VREFDQ must be within their respective minimum/maximum operating ranges. VREFDQ can be at any level between 0 and VDDQ; VREFCA can be at any level between 0 and VDDCA during self refresh.

Before exiting self refresh, VREFDQ and VREFCA must be within specified limits (see AC and DC Logic Input Measurement Levels for Single-Ended Signals). After entering self refresh mode, the device initiates at least one all-bank REFRESH command internally during tCKESR. The clock is internally disabled during SELF REFRESH operation to save power. The device must remain in self refresh mode for at least tCKESR. The user can change the external clock frequency or halt the external clock one clock after self refresh entry is registered; however, the clock must be restarted and stable before the device can exit SELF REFRESH operation.

Exiting self refresh requires a series of commands. First, the clock must be stable prior to CKE returning HIGH. After the self refresh exit is registered, a minimum delay, at least equal to the self refresh exit interval (tXSR), must be satisfied before a valid command can be issued to the device. This provides completion time for any internal refresh in progress. For proper operation, CKE must remain HIGH throughout tXSR, except during self refresh re-entry. NOP commands must be registered on each rising clock edge during tXSR.

Using self refresh mode introduces the possibility that an internally timed refresh event could be missed when CKE is driven HIGH for exit from self refresh mode. Upon exiting self refresh, at least one REFRESH command (one all-bank command or eight per-bank commands) must be issued before issuing a subsequent SELF REFRESH command.

SELF REFRESH Operation



Notes:

1. Input clock frequency can be changed or stopped during self refresh, provided that upon exiting self-refresh, a minimum of two cycles of stable clocks (t_{INIT2}) are provided, and the clock frequency is between the minimum and maximum frequencies for the particular speed grade.
2. The device must be in the all banks idle state prior to entering self refresh mode.
3. t_{XSR} begins at the rising edge of the clock after CKE is driven HIGH.
4. A valid command can be issued only after t_{XSR} is satisfied. NOPs must be issued during t_{XSR} .

Partial-Array Self Refresh – Bank Masking

Devices in densities of 64Mb–512Mb are comprised of four banks; densities of 1Gb and higher are comprised of eight banks. Each bank can be configured independently whether or not a SELF REFRESH operation will occur in that bank. One 8-bit mode register (accessible via the MRW command) is assigned to program the bank-masking status of each bank up to eight banks. For bank masking bit assignments, see the MR16 PASR Bank Mask (MA[7:0] = 010h) and MR16 Op-Code Bit Definitions tables.

The mask bit to the bank enables or disables a refresh operation of the entire memory space within the bank. If a bank is masked using the bank mask register, a REFRESH operation to the entire bank is blocked and bank data retention is not guaranteed in self refresh mode. To enable a REFRESH operation to a bank, the corresponding bank mask bit must be programmed as “un-masked.” When a bank mask bit is unmasked, the array space being refreshed within that bank is determined by the programmed status of the

segment mask bits.

Partial-Array Self Refresh – Segment Masking

Programming segment mask bits is similar to programming bank mask bits. For densities 1Gb and higher, eight segments are used for masking (see the MR17 PASR Segment Mask (MA[7:0] = 011h) and MR17 PASR Segment Mask Definitions tables). A mode register is used for programming segment mask bits up to eight bits. For densities less than 1Gb, segment masking is not supported.

When the mask bit to an address range (represented as a segment) is programmed as “masked,” a REFRESH operation to that segment is blocked. Conversely, when a segment mask bit to an address range is unmasked, refresh to that segment is enabled.

A segment masking scheme can be used in place of or in combination with a bank masking scheme. Each segment mask bit setting is applied across all banks. For segment masking bit assignments, see the tables noted above.

Bank and Segment Masking Example

| | Segment Mask (MR17) | Bank 0 | Bank 1 | Bank 2 | Bank 3 | Bank 4 | Bank 5 | Bank 6 | Bank 7 |
|------------------|---------------------|--------|--------|--------|--------|--------|--------|--------|--------|
| Bank Mask (MR16) | | 0 | 1 | 0 | 0 | 0 | 0 | 0 | 1 |
| Segment 0 | 0 | – | M | – | – | – | – | – | M |
| Segment 1 | 0 | – | M | – | – | – | – | – | M |
| Segment 2 | 1 | M | M | M | M | M | M | M | M |
| Segment 3 | 0 | – | M | – | – | – | – | – | M |
| Segment 4 | 0 | – | M | – | – | – | – | – | M |
| Segment 5 | 0 | – | M | – | – | – | – | – | M |
| Segment 6 | 0 | – | M | – | – | – | – | – | M |
| Segment 7 | 1 | M | M | M | M | M | M | M | M |

Note: This table provides values for an 8-bank device with REFRESH operations masked to banks 1 and 7, and segments 2 and 7.

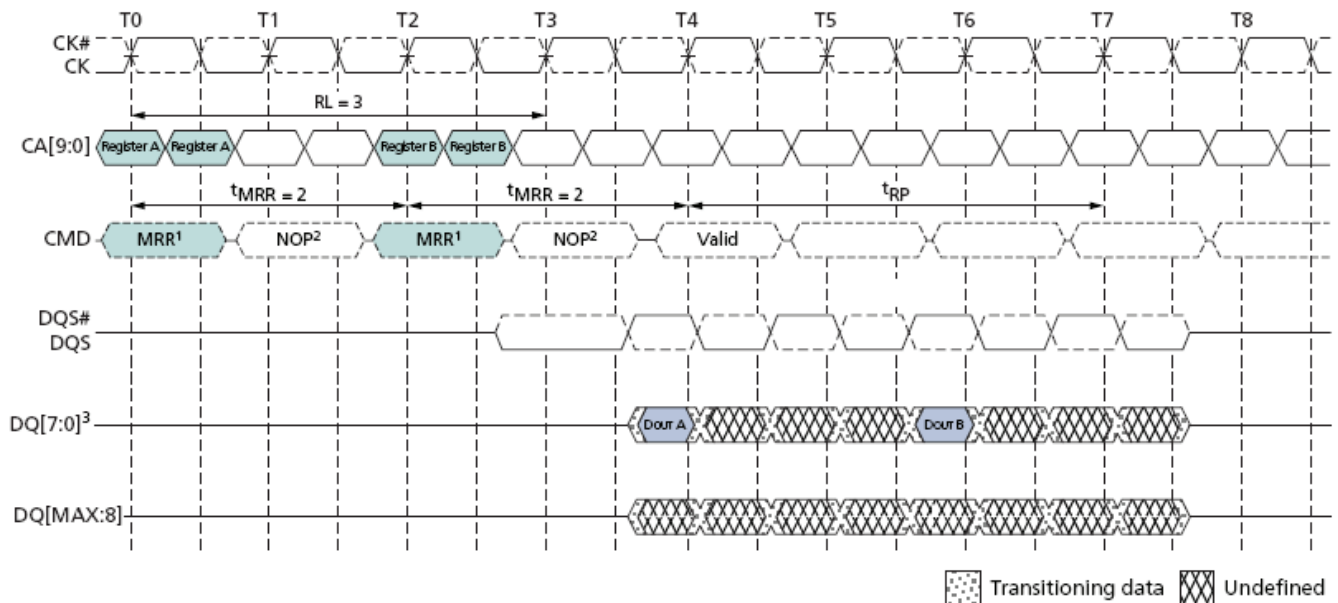
MODE REGISTER READ

The MODE REGISTER READ (MRR) command is used to read configuration and status data from SDRAM mode registers. The MRR command is initiated with CS# LOW, CA0 LOW, CA1 LOW, CA2 LOW, and CA3 HIGH at the rising edge of the clock. The mode register

is selected by CA1f–CA0f and CA9r–CA4r. The mode register contents are available on the first data beat of DQ[7:0] after $RL \times tCK + tDQSCK + tDQSQ$ and following the rising edge of the clock where MRR is issued. Subsequent data beats contain valid but undefined

content, except in the case of the DQ calibration function, where subsequent data beats contain valid content as described in Data Calibration Pattern Description. All DQS are toggled for the duration of the mode register READ burst. The MRR command has a burst length of four. MRR operation (consisting of the MRR command and the corresponding data traffic) must not be interrupted. The MRR command period (t_{MRR}) is two clock cycles.

MRR Timing – $RL = 3$, $t_{MRR} = 2$



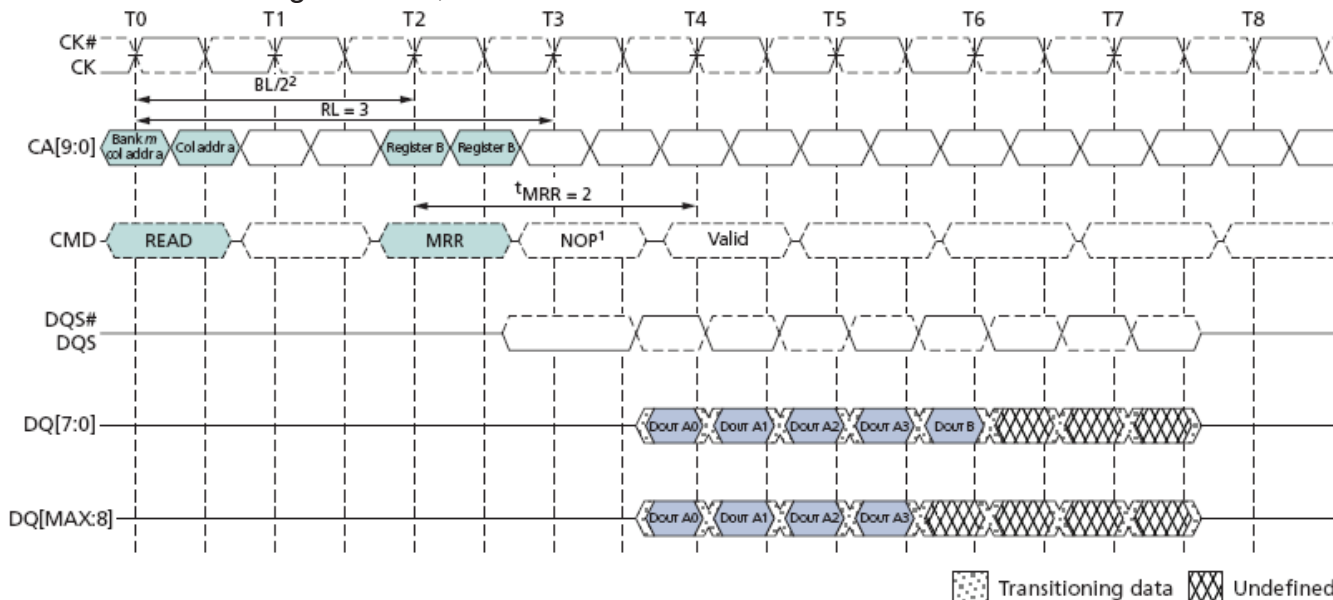
Notes:

1. MRRs to DQ calibration registers MR32 and MR40 are described in DQ Calibration .
2. Only the NOP command is supported during t_{MRR} .
3. Mode register data is valid only on DQ[7:0] on the first beat. Subsequent beats contain valid but undefined data. DQ[MAX:8] contain valid but undefined data for the duration of the MRR burst.
4. Minimum MRR to write latency is $RL + RU(tDQSCk_{max}/tCK) + 4/2 + 1 - WL$ clock cycles.
5. Minimum MRR to MRW latency is $RL + RU(tDQSCk_{max}/tCK) + 4/2 + 1$ clock cycles.

READ bursts and WRITE bursts cannot be truncated by MRR. Following a READ command, the MRR command must not be issued before BL/2 clock cycles have completed.

Following a WRITE command, the MRR command must not be issued before $WL + 1 + BL/2 + RU(tWTR/tCK)$ clock cycles have completed. If a READ or WRITE burst is truncated with a BST command, the effective burst length of the truncated burst should be used for the BL value.

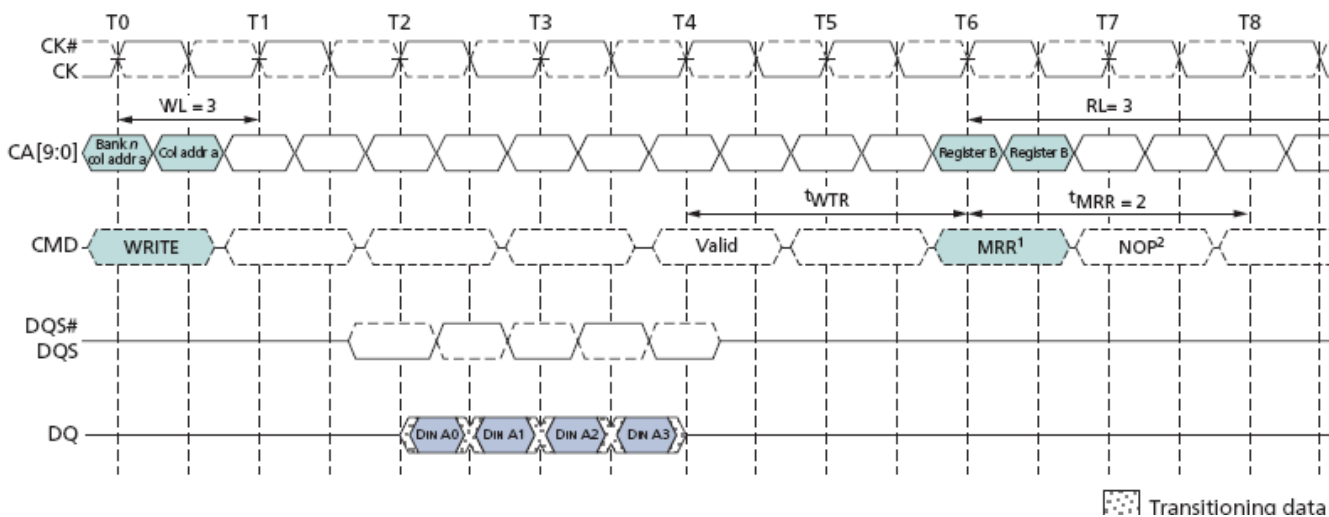
READ to MRR Timing – RL = 3, tMRR = 2



Notes:

1. The minimum number of clock cycles from the burst READ command to the MRR command is BL/2.
2. Only the NOP command is supported during tMRR.

Burst WRITE Followed by MRR – RL = 3, WL = 1, BL = 4



Notes:

1. The minimum number of clock cycles from the burst WRITE command to the MRR command is $[WL + 1 + BL/2 + RU(tWTR/tCK)]$.
2. Only the NOP command is supported during tMRR.

Temperature Sensor

LPDDR2 devices feature a temperature sensor whose status can be read from MR4. This sensor can be used to determine an appropriate refresh rate, determine whether AC timing derating is required in the extended temperature range, and/or monitor the operating temperature. Either the temperature sensor or the device operating temperature can be used to determine whether operating temperature requirements

are being met (see Operating Temperature Range table). Temperature sensor data can be read from MR4 using the mode register read protocol.

Upon exiting self-refresh or power-down, the device temperature status bits will be no older than tTSI.

When using the temperature sensor, the actual device case temperature may be higher than the operating temperature specification that applies for the standard or extended temperature ranges (see table noted above). For example, TCASE could be above 85°C when MR4[2:0] equals 011b.

To ensure proper operation using the temperature sensor, applications must accommodate the parameters in the temperature sensor definitions table.

Temperature Sensor Definitions and Operating Conditions

| Parameter | Symbol | Max/Min | Value | Unit | Notes |
|-----------------------------|--------------|---------|------------------|------|---|
| System Temperature Gradient | TempGradient | Max | System Dependent | C/s | Maximum temperature gradient experienced by the memory device at the temperature of interest over a range of 2°C. |
| MR4 Read Interval | ReadInterval | Max | System Dependent | ms | Time period between MR4 READs from the system. |
| Temperature Sensor Interval | tTSI | Max | 16 | ms | Maximum delay between internal updates of MR4. |
| System Response Delay | SysRespDelay | Max | System Dependent | ms | Maximum response time from an MR4 READ to the system response. |
| Device Temperature Margin | TempMargin | Max | 2 | C | Margin above maximum temperature to support controller response. |

LPDDR2 devices accommodate the temperature margin between the point at which the device temperature enters the extended temperature range and the point at which the controller reconfigures the system accordingly. To determine the required MR4 polling frequency, the system must use the maximum TempGradient and the maximum response time of the system according to the following equation:

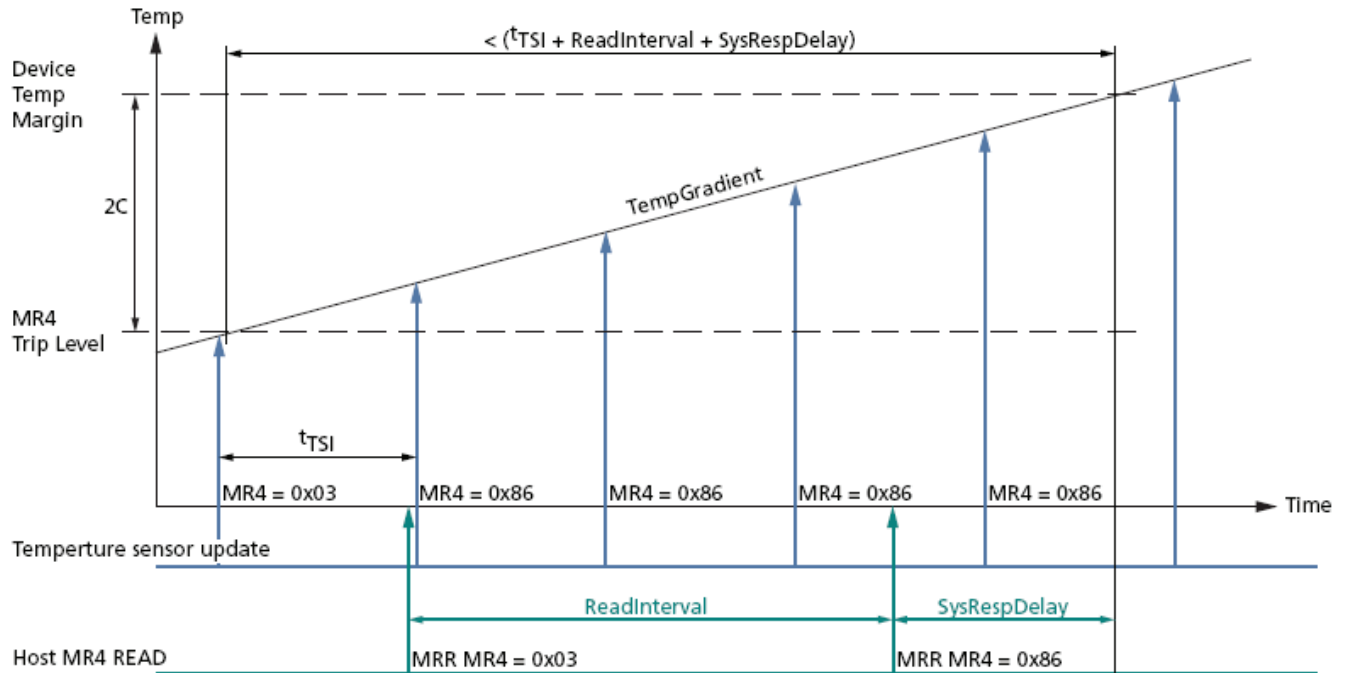
$$\text{TempGradient} \times (\text{ReadInterval} + \text{tTSI} + \text{SysRespDelay}) \leq 2^\circ\text{C}$$

For example, if TempGradient is 10°C/s and the SysRespDelay is 1ms:

$$10^\circ\text{C} / \text{s} \times (\text{ReadInterval} + 32\text{ms} + 1\text{ms}) \leq 2^\circ\text{C}$$

In this case, ReadInterval must not exceed 167ms

Temperature Sensor Timing

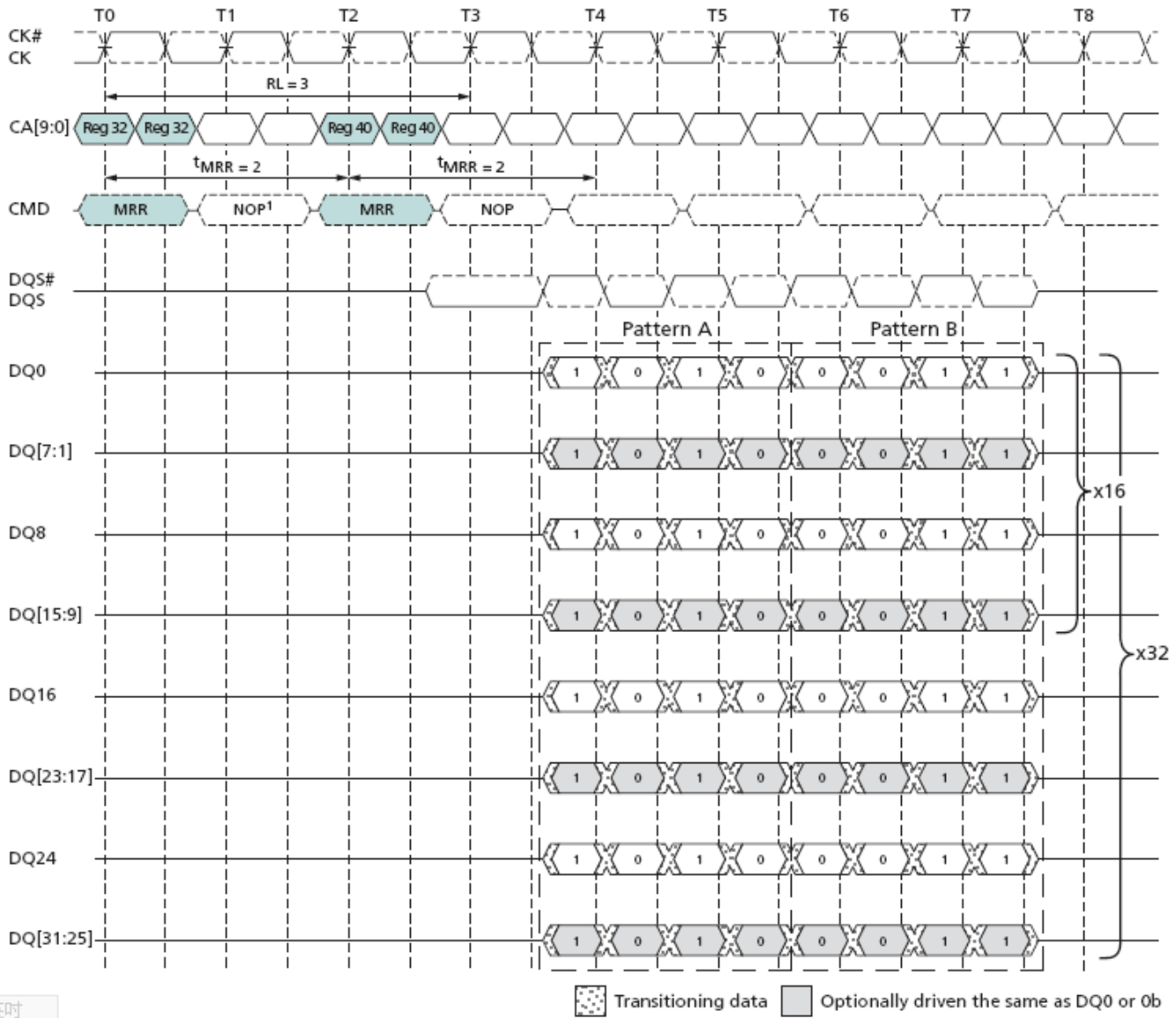


DQ Calibration

Mobile LPDDR2 devices feature a DQ calibration function that outputs one of two predefined system timing calibration patterns. For x16 devices, pattern A (MRR to MRR32), and pattern B (MRR to MRR40), will return the specified pattern on DQ0 and DQ8; x32 devices return the specified pattern on DQ0, DQ8, DQ16, and DQ24.

For x16 devices, DQ[7:1] and DQ[15:9] drive the same information as DQ0 during the MRR burst. For x32 devices, DQ[7:1], DQ[15:9], DQ[23:17], and DQ[31:25] drive the same information as DQ0 during the MRR burst. MRR DQ calibration commands can occur only in the idle state.

MR32 and MR40 DQ Calibration Timing – RL = 3, tMRR = 2



Note: Only the NOP command is supported during Tmrr

Data Calibration Pattern Description

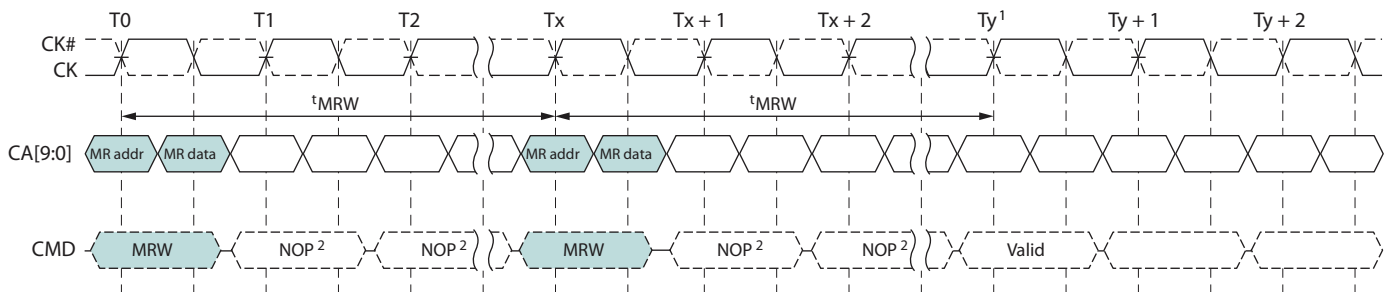
| Pattern | MR# | Bit Time 0 | Bit Time 1 | Bit Time 2 | Bit Time 3 | Notes |
|-----------|------|------------|------------|------------|------------|--|
| Pattern A | MR32 | 1 | 0 | 1 | 0 | Reads to MR32 return DQ callibration pattern A |
| Pattern B | MR40 | 0 | 0 | 1 | 1 | Reads to MR32 return DQ callibration pattern B |

MODE REGISTER WRITE Command

The MODE REGISTER WRITE (MRW) command is used to write configuration data to the mode registers. The MRW command is initiated with CS# LOW, CA0 LOW, CA1 LOW, CA2 LOW, and CA3 LOW at the rising edge of the clock. The mode register is selected by

CA1f–CA0f, CA9r–CA4r. The data to be written to the mode register is contained in CA9f–CA2f. The MRW command period is defined by tMRW. MRWs to read-only registers have no impact on the functionality of the device. MRW can only be issued when all banks are in the idle precharge state. One method of ensuring that the banks are in this state is to issue a PRECHARGE ALL command.

MODE REGISTER WRITE Timing – RL = 3, tMRW = 5



Truth Table for MRR and MRW

| Current State | Command | Intermediate State | Next State |
|----------------|-------------|--|----------------|
| All Banks idle | MRR | Mode Register Reading (All Banks idle) | All Banks idle |
| | MRW | Mode Register Writing (All Banks idle) | All Banks idle |
| | MRW (Reset) | Resting (Device Auto-Init) | All Banks idle |
| Bank(s) Active | MRR | Mode Register Reading (Bank(s) idle) | Bank(s) Active |
| | MRW | Not Allowed | Not Allowed |
| | MRW (Reset) | Not Allowed | Not Allowed |

Notes:

- At time Ty, the device is in the idle state.
- Only the NOP command is supported during tMRW.

MRW RESET Command

The MRW RESET command brings the device to the device auto initialization (resetting) state in the power-on initialization sequence (see RESET Command under Power-Up). The MRW RESET command can be issued from the idle state. This command resets all mode registers to their default values. Only the NOP command is supported during tINIT4. After MRW RESET, boot timings must be observed until the

device initialization sequence is complete and the device is in the idle state. Array data is undefined after the MRW RESET command has completed.

For MRW RESET timing, see Figure of Voltage Ramp and Initialization Sequence.

MRW ZQ Calibration Commands

The MRW command is used to initiate a ZQ calibration command that calibrates output driver impedance across process, temperature, and voltage. LPDDR2-S4 devices support ZQ calibration. To achieve tighter tolerances, proper ZQ calibration must be performed.

There are four ZQ calibration commands and related timings: tZQINIT, tZQRESET, tZQCL, and tZQCS. tZQINIT is used for initialization calibration; tZQRESET is used for resetting ZQ to the default output impedance; tZQCL is used for long calibration(s); and tZQCS is used for short calibration(s). See the MR10 Calibration (MA[7:0] = 0Ah) table for ZQ calibration command code definitions.

ZQINIT must be performed for LPDDR2 devices. ZQINIT provides an output impedance accuracy of $\pm 15\%$. After initialization, the ZQ calibration long (ZQCL) can be used to recalibrate the system to an output impedance accuracy of $\pm 15\%$. A ZQ calibration short (ZQCS) can be used periodically to compensate for temperature and voltage drift in the system.

ZQRESET resets the output impedance calibration to a default accuracy of $\pm 30\%$ across process, voltage, and temperature. This command is used to ensure output impedance accuracy to $\pm 30\%$ when ZQCS and ZQCL commands are not used.

One ZQCS command can effectively correct at least 1.5% (ZQ correction) of output impedance errors within tZQCS for all speed bins, assuming the maximum sensitivities specified in the tables "output Driver Sensitivity Definition" and "Output Driver Temperature and Voltage Sensitivity" (page 133) are met. The appropriate interval between ZQCS commands can be determined using these tables and system-specific parameters.

LPDDR2 devices are subject to temperature drift rate (Tdriftrate) and voltage drift rate (Vdriftrate) in various applications. To accommodate drift rates and calculate the necessary interval between ZQCS commands, apply the following formula.

$$\text{ZQcorrection} / (\text{Tsens} \times \text{Tdriftrate}) + (\text{Vsens} \times \text{Vdriftrate})$$

Where Tsens = MAX (dRONdT) and Vsens = MAX (dRONdV) define temperature and voltage

sensitivities.

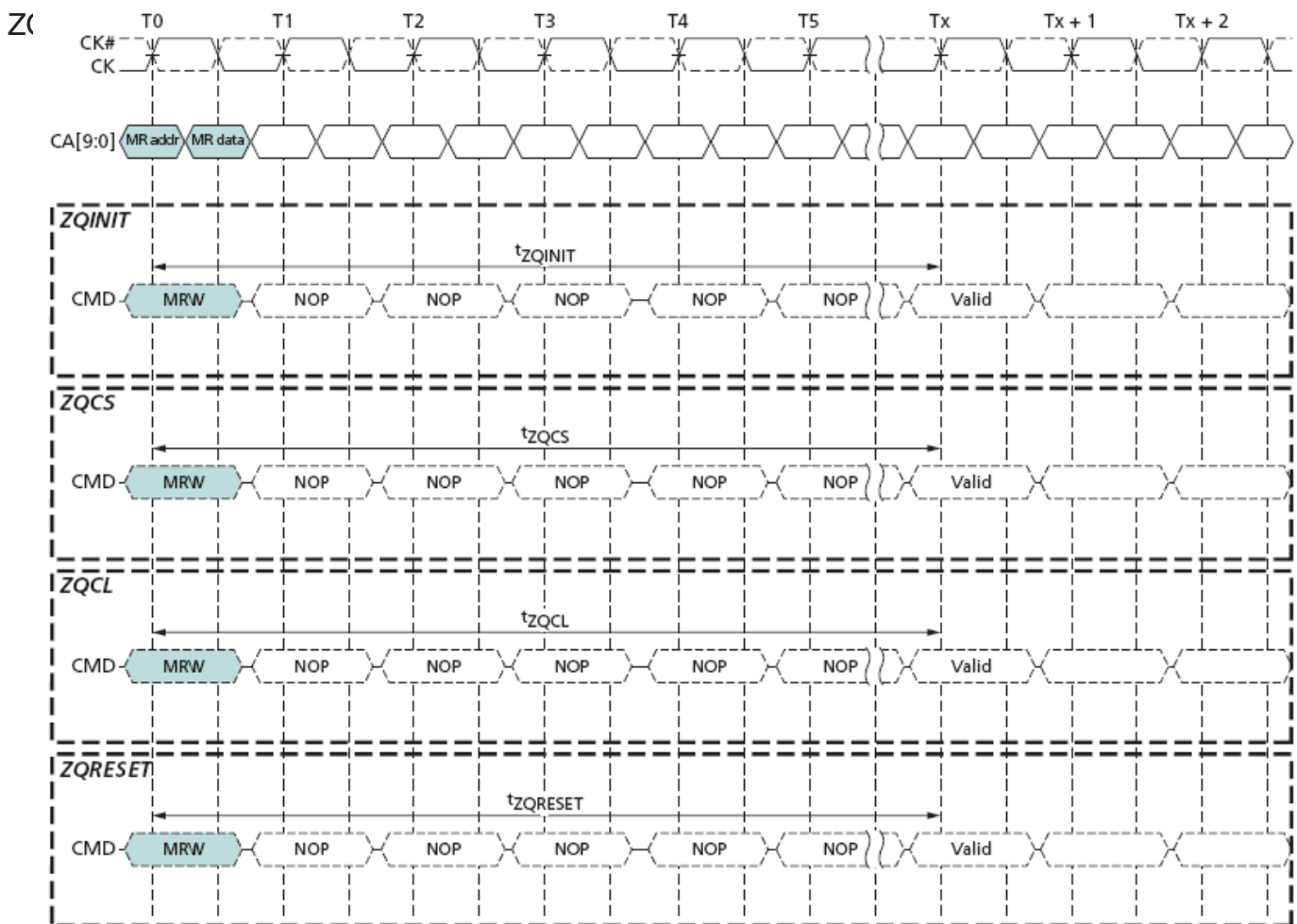
For example, if $T_{sens} = 0.75\%/^{\circ}\text{C}$, $V_{sens} = 0.20\%/m\text{V}$, $T_{driftrate} = 1^{\circ}\text{C}/\text{sec}$, and $V_{driftrate} = 15\text{ mV}/\text{sec}$, then the interval between ZQCS commands is calculated as:

$$1.5 / (0.75 \times 1) + (0.20 \times 15) = 0.4\text{s}$$

A ZQ calibration command can only be issued when the device is in the idle state with all banks precharged.

No other activities can be performed on the data bus during calibration periods (t_{ZQINIT} , t_{ZQCL} , or t_{ZQCS}). The quiet time on the data bus helps to accurately calibrate output impedance. There is no required quiet time after the ZQRESET command. If multiple devices share a single ZQ resistor, only one device can be calibrating at any given time. After calibration is complete, the ZQ ball circuitry is disabled to reduce power consumption.

In systems sharing a ZQ resistor between devices, the controller must prevent t_{ZQINIT} , t_{ZQCS} , and t_{ZQCL} overlap between the devices. ZQRESET overlap is acceptable. If the ZQ resistor is absent from the system, ZQ must be connected to VDDCA. In this situation, the device must ignore ZQ calibration commands and the device will use the default calibration settings.



Notes:

1. Only the NOP command is supported during ZQ calibrations.
2. CKE must be registered HIGH continuously during the calibration period.
3. All devices connected to the DQ bus should be High-Z during the calibration process.

ZQ External Resistor Value, Tolerance, and Capacitive Loading

To use the ZQ calibration function, a 240 ohm ($\pm 1\%$ tolerance) external resistor must be connected between the ZQ pin and ground. A single resistor can be used for each device or one resistor can be shared between multiple devices if the ZQ calibration timings for each device do not overlap. The total capacitive loading on the ZQ pin must be limited.

Power-Down

Power-down is entered synchronously when CKE is registered LOW and CS# is HIGH at the rising edge of clock. A NOP command must be driven in the clock cycle following power-down entry. CKE must not go LOW while MRR, MRW, READ, or WRITE operations are in progress. CKE can go LOW while any other operations such as ACTIVATE, PRECHARGE, auto precharge, or REFRESH are in progress, but the power-down IDD specification will not be applied until such operations are complete.

If power-down occurs when all banks are idle, this mode is referred to as idle power-down; if power-down occurs when there is a row active in any bank, this mode is referred to as active power-down.

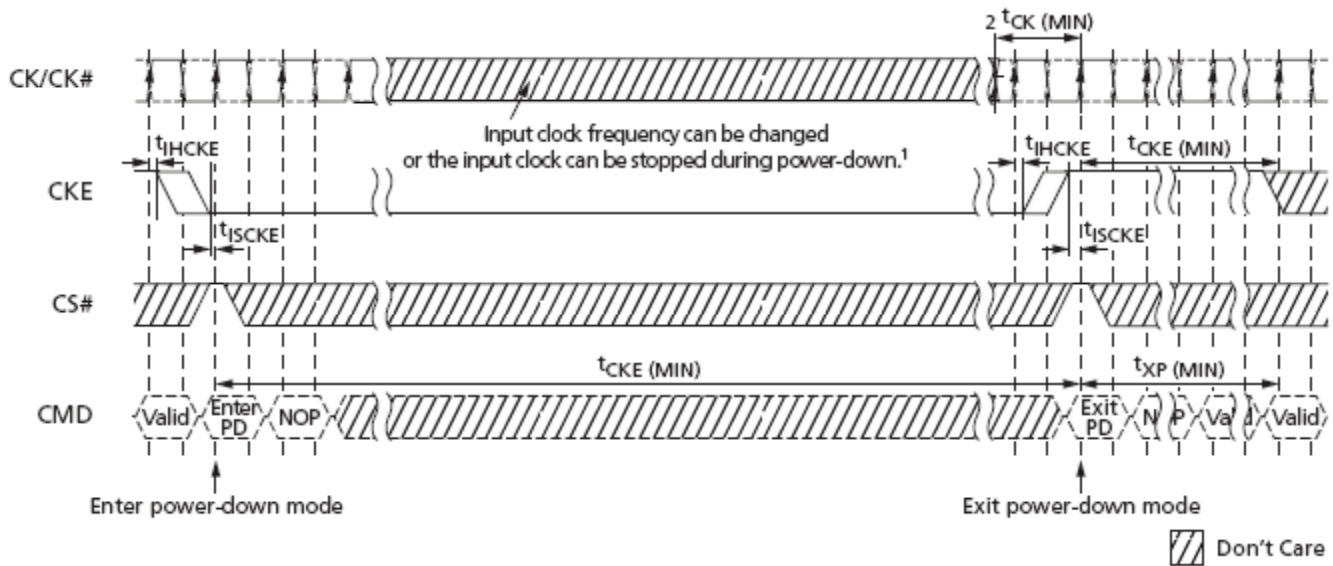
Entering power-down deactivates the input and output buffers, excluding CK, CK#, and CKE. In power-down mode, CKE must be held LOW; all other input signals are "Don't Care." CKE LOW must be maintained until tCKE is satisfied. VREFCA must be maintained at a valid level during power-down.

VDDQ can be turned off during power-down. If VDDQ is turned off, VREFDQ must also be turned off. Prior to exiting power-down, both VDDQ and VREFDQ must be within their respective minimum/maximum operating ranges (see AC and DC Operating Conditions).

No refresh operations are performed in power-down mode. The maximum duration in power-down mode is only limited by the refresh requirements outlined in REFRESH Command.

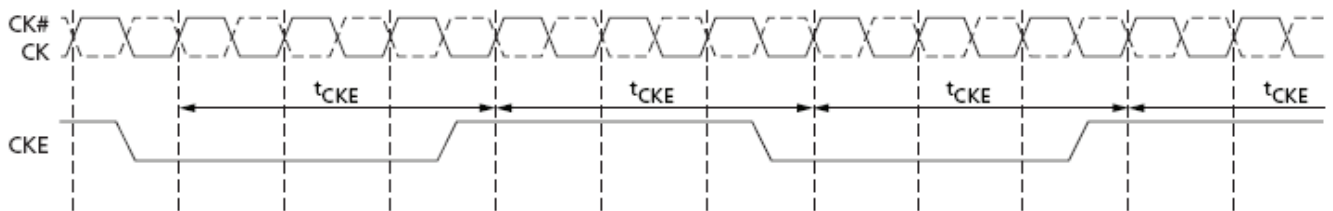
The power-down state is exited when CKE is registered HIGH. The controller must drive CS# HIGH in conjunction with CKE HIGH when exiting the power-down state. CKE HIGH must be maintained until tCKE is satisfied. A valid, executable command can be applied with power-down exit latency tXP after CKE goes HIGH. Power-down exit latency is defined in the AC Timing section.

Power-Down Entry and Exit Timing

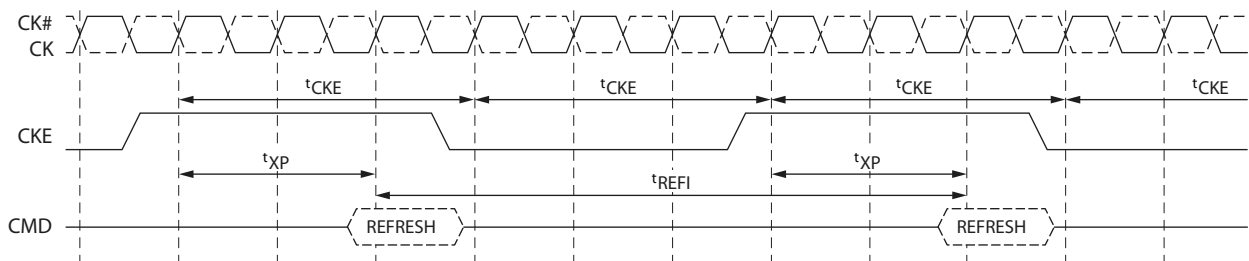


Note: Input clock frequency can be changed or the input clock stopped during power-down, provided that the clock frequency is between the minimum and maximum specified frequencies for the speed grade in use, and that prior to power-down exit, a minimum of two stable clocks complete.

CKE Intensive Environment



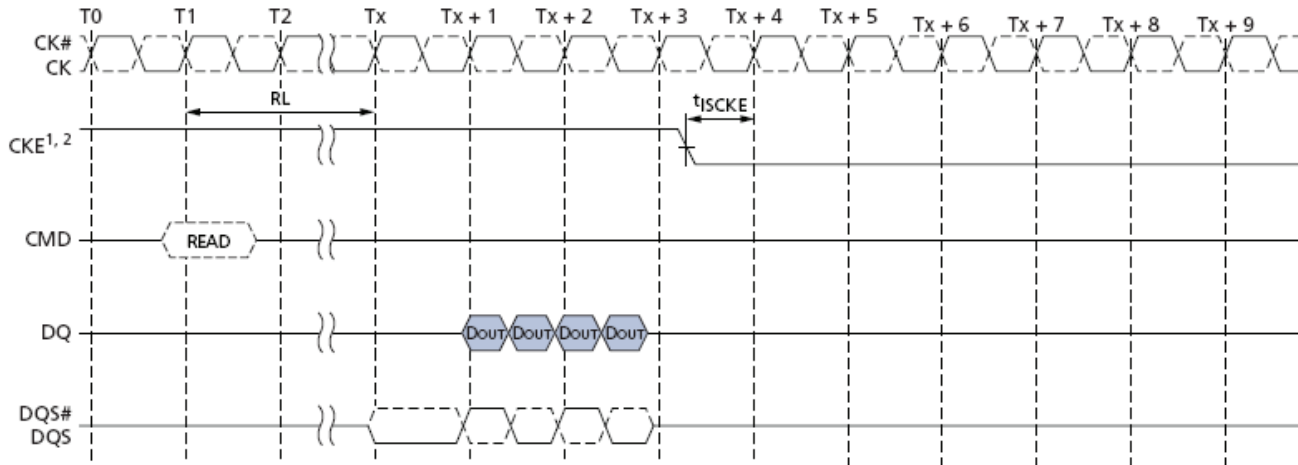
REFRESH-to-REFRESH Timing in CKE Intensive Environments



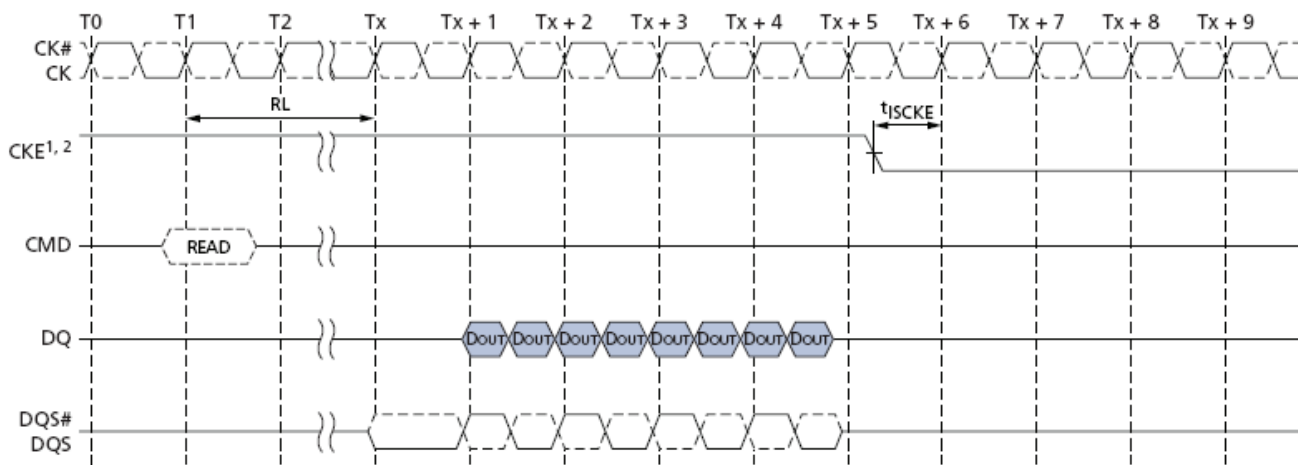
Note: The pattern shown can repeat over an extended period of time. With this pattern, all AC and DC timing and voltage specifications with temperature and voltage drift are ensured.

READ to Power-Down Entry

BL = 4



BL = 8

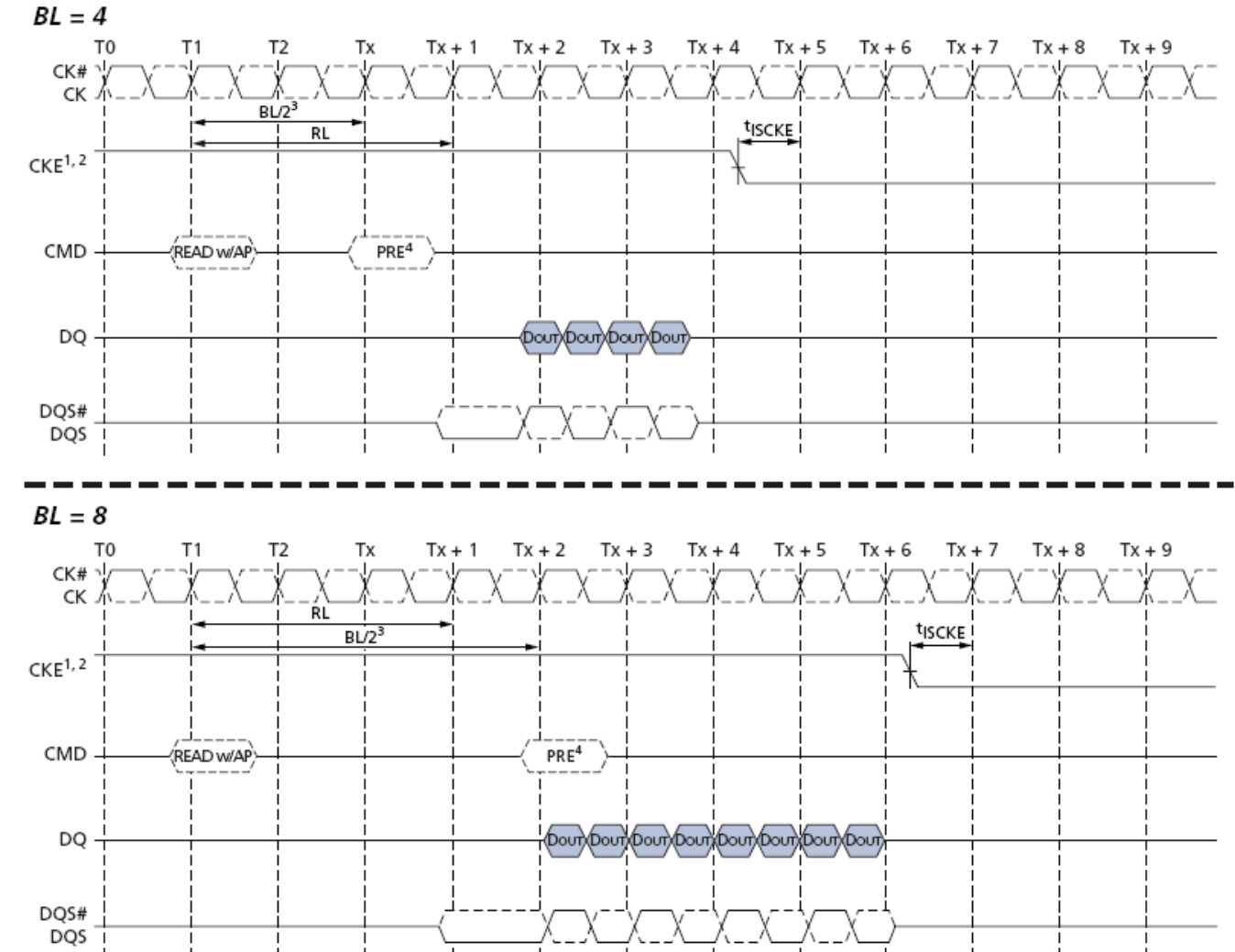


Read to Power-Down entry

Notes:

1. CKE must be held HIGH until the end of the burst operation.
2. CKE can be registered LOW at $(RL + RU(tDQSCK(MAX)/tCK) + BL/2 + 1)$ clock cycles after the clock on which the READ command is registered

READ with Auto Precharge to Power-Down Entry

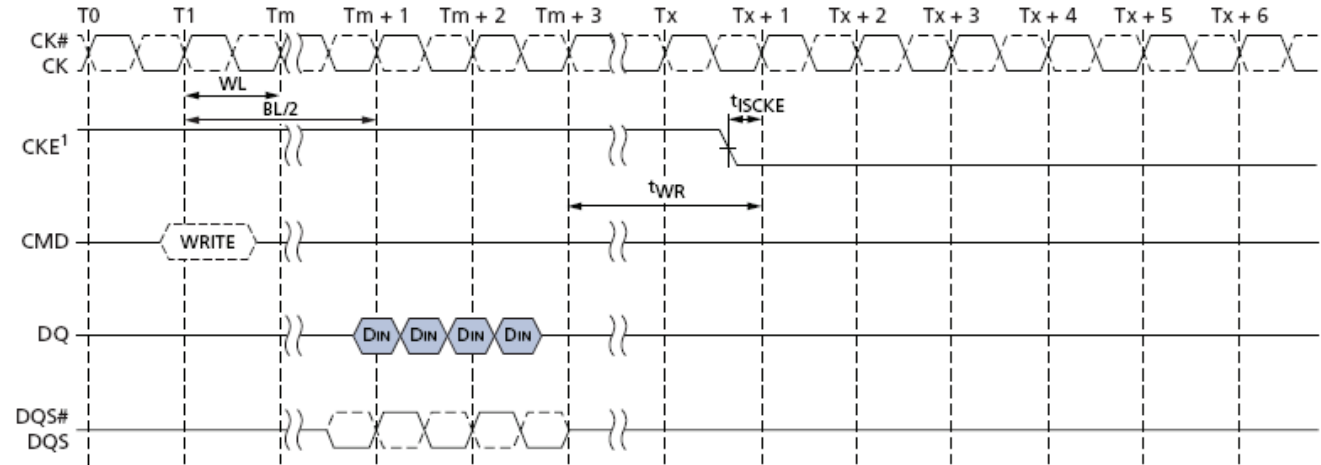


Notes:

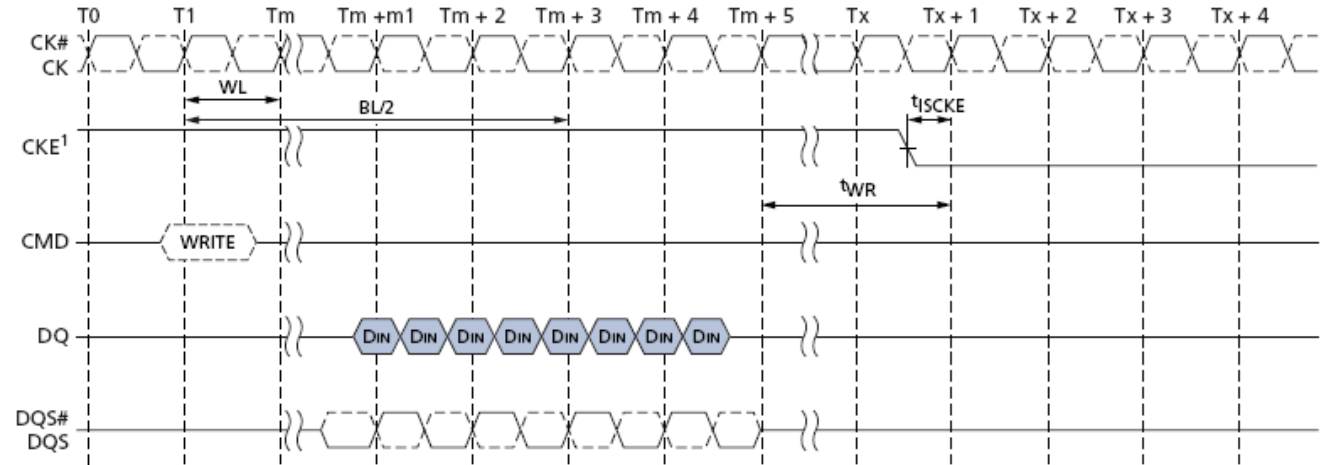
1. CKE must be held HIGH until the end of the burst operation.
2. CKE can be registered LOW at $(RL + RU(t_{DQSCK}/t_{CK}) + BL/2 + 1)$ clock cycles after the clock on which the READ command is registered.
3. $BL/2$ with $t_{RTP} = 7.5\text{ns}$ and $t_{RAS}(\text{MIN})$ is satisfied.
4. Start internal PRECHARGE

WRITE to Power-Down Entry

BL = 4



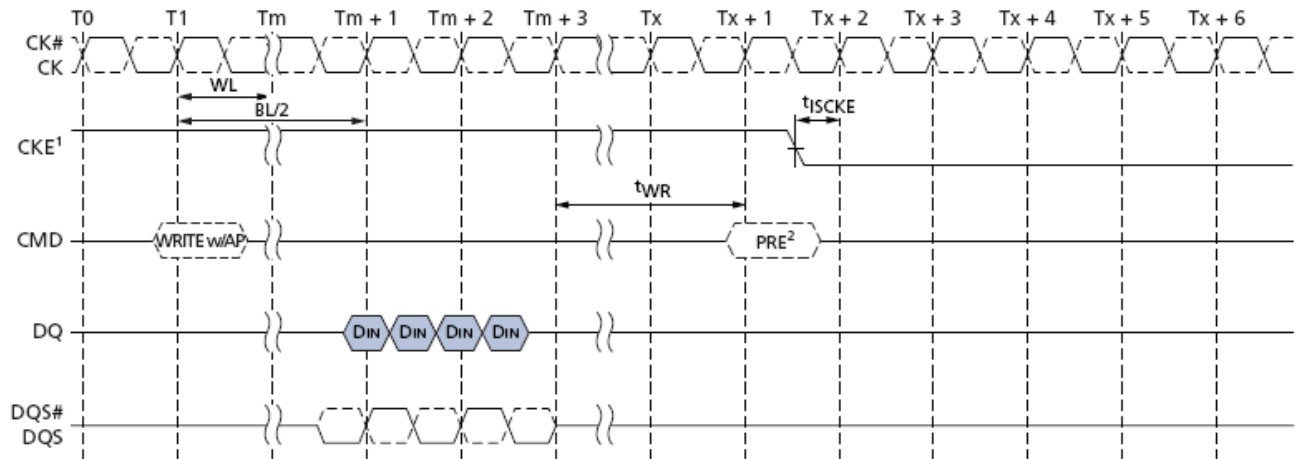
BL = 8



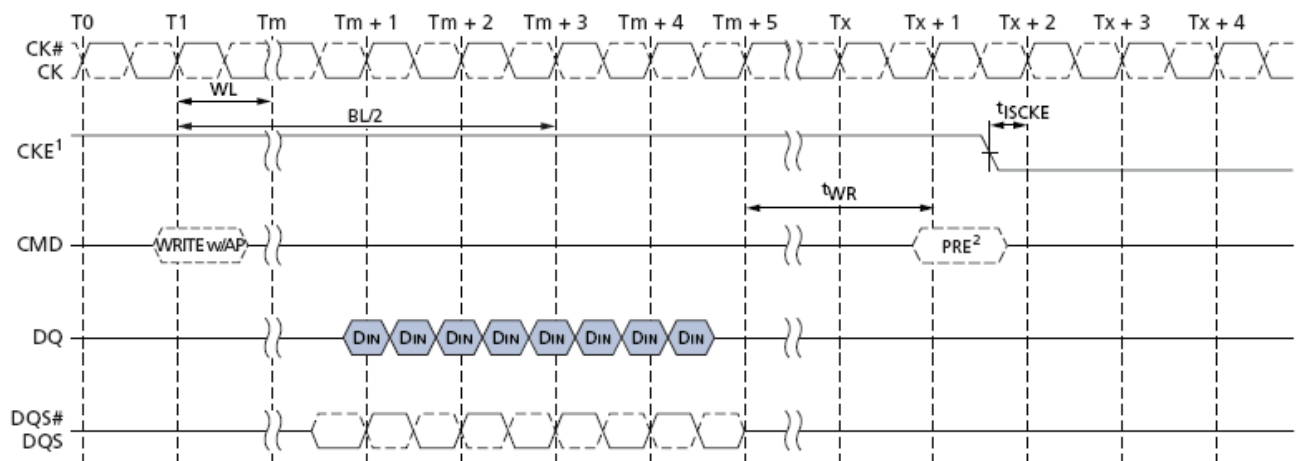
Note: CKE can be registered LOW at $(WL + 1 + BL/2 + RU(tWR/tCK))$ clock cycles after the clock on which the WRITE command is registered.

WRITE with Auto Precharge to Power-Down Entry

BL = 4



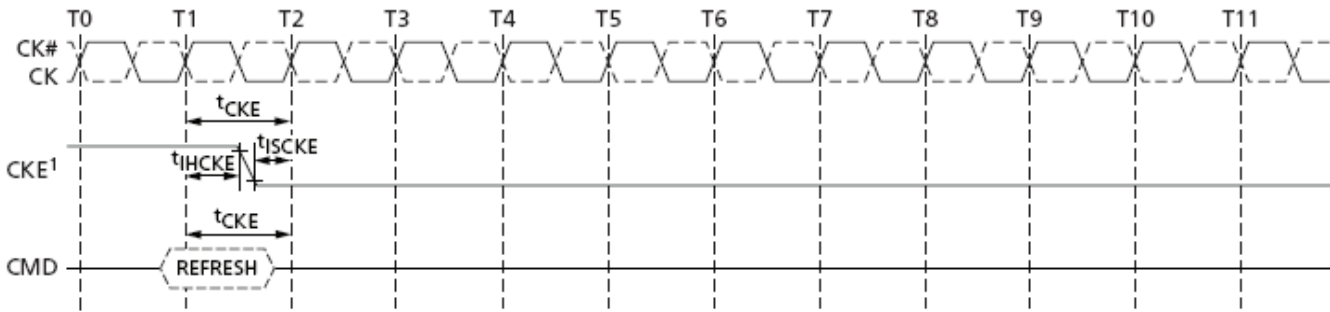
BL = 8



Notes:

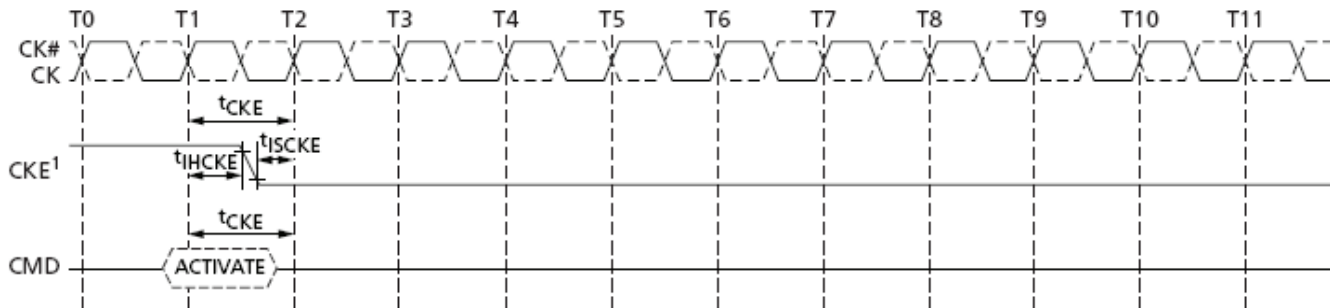
1. CKE can be registered LOW at $(WL + 1 + BL/2 + RU(tWR/tCK + 1))$ clock cycles after the WRITE command is registered.
2. Start internal PRECHARGE

REFRESH Command to Power-Down Entry



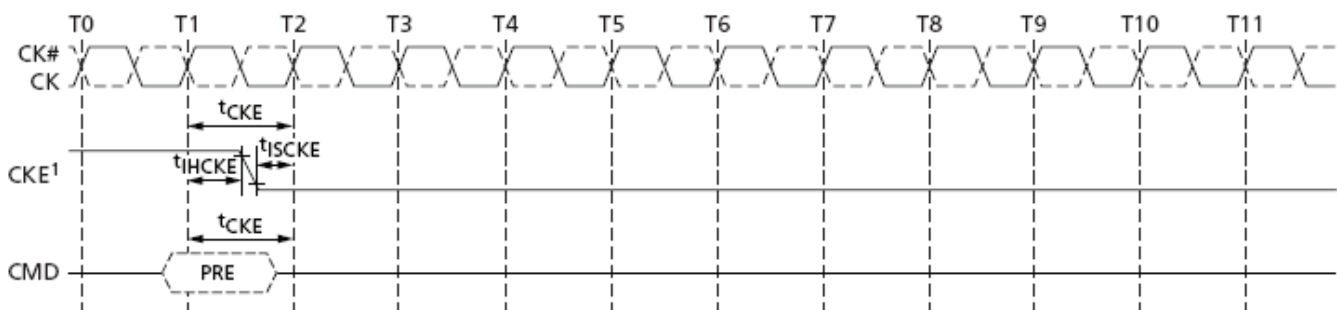
Note: CKE can go LOW t_{IHCKE} after the clock on which the REFRESH command is registered.

ACTIVATE Command to Power-Down Entry



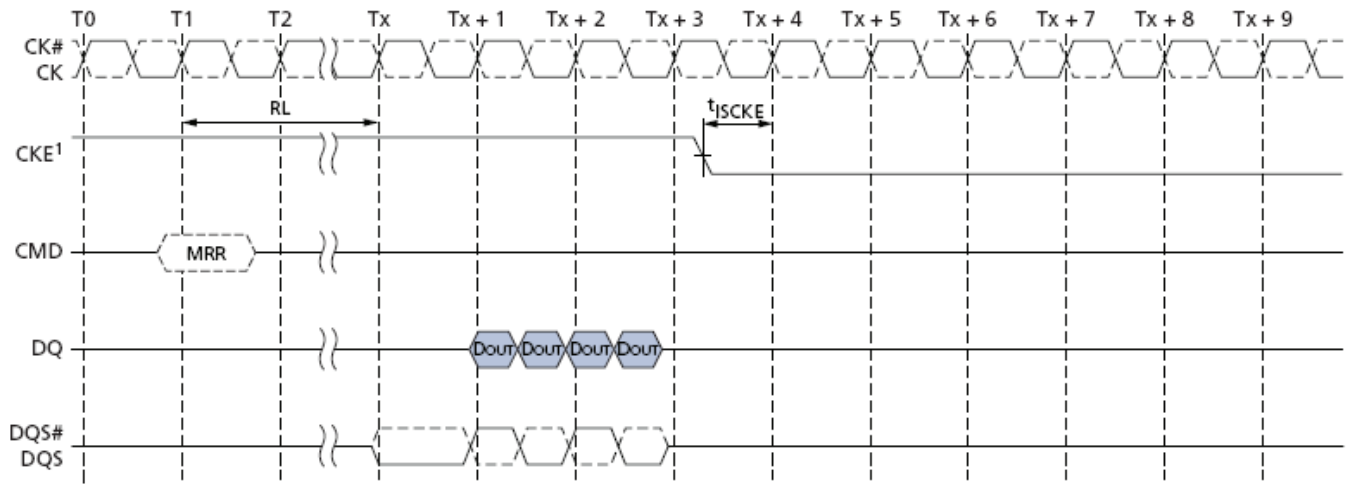
Note: CKE can go LOW at t_{IHCKE} after the clock on which the ACTIVATE command is registered

PRECHARGE Command to Power-Down Entry



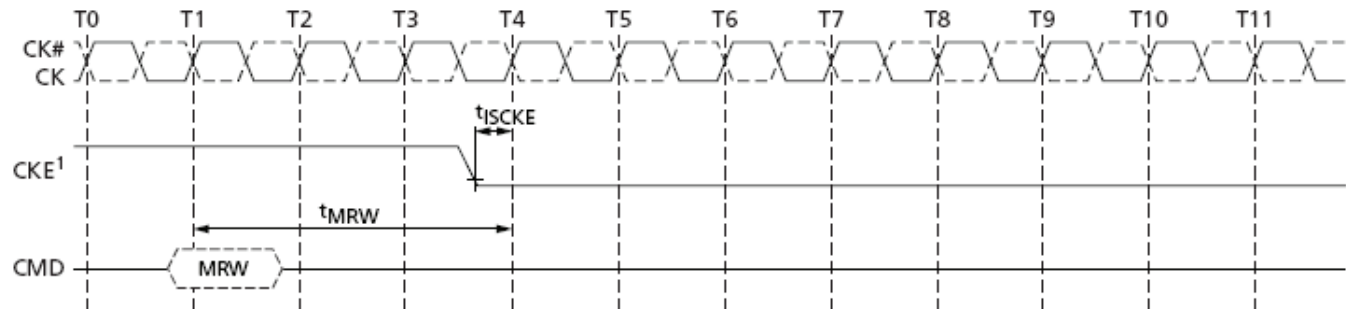
Note: CKE can go LOW t_{IHCKE} after the clock on which the PRECHARGE command is registered.

MRR Command to Power-Down Entry



Note: CKE can be registered LOW at $(RL + RU(tDQSCK/tCK) + BL/2 + 1)$ clock cycles after the clock on which the MRR command is registered.

MRW Command to Power-Down Entry



Note: CKE can be registered LOW $tMRW$ after the clock on which the MRW command is registered

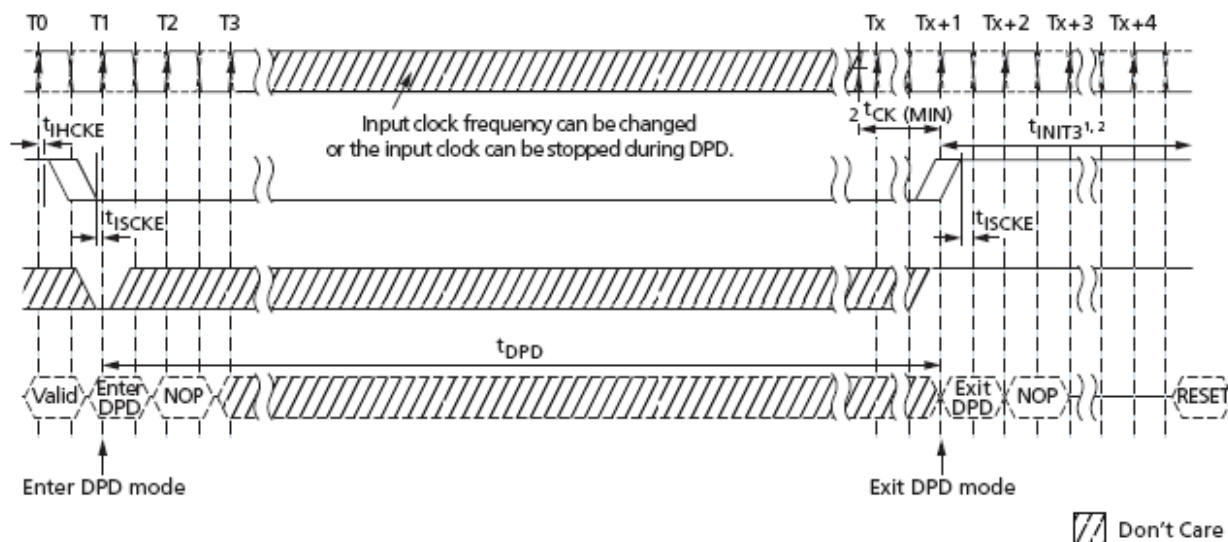
Deep Power-Down

Deep power-down (DPD) is entered when CKE is registered LOW with CS# LOW, CA0 HIGH, CA1 HIGH, and CA2 LOW at the rising edge of the clock. The NOP command must be driven in the clock cycle following power-down entry. CKE must not go LOW while MRR or MRW operations are in progress. CKE can go LOW while other operations such as ACTIVATE, auto precharge, PRECHARGE, or REFRESH are in progress, however, deep power-down IDD specifications will not be applied until those operations complete. The contents of the array will be lost upon entering DPD mode.

In DPD mode, all input buffers except CKE, all output buffers, and the power supply to internal circuitry are disabled within the device. VREFDQ can be at any level between 0 and VDDQ, and VREFCA can be at any level between 0 and VDDCA during DPD. All power supplies (including VREF) must be within the specified limits prior to exiting DPD (see AC and DC Operating Conditions).

To exit DPD, CKE must be HIGH, t_{ISCKE} must be complete, and the clock must be stable. To resume operation, the device must be fully reinitialized using the power-up initialization sequence.

Deep Power-Down Entry and Exit Timing



Notes:

1. The initialization sequence can start at any time after Tx + 1.
2. t_{INIT3} and Tx + 1 refer to timings in the initialization sequence. For details, see Mode Register Definition

Input Clock Frequency Changes and Stop Events

LPDDR2 support Clock frequency changes and clock stop under the conditions detailed in this section

Input Clock Frequency Changes and Clock Stop with CKE LOW

During CKE LOW, Mobile LPDDR2 devices support input clock frequency changes and clock stop under the following conditions:

- Refresh requirements are met
- Only REFab or REFpb commands can be in process
- Any ACTIVATE or PRECHARGE commands have completed prior to changing the frequency
- Related timing conditions, t_{RCD} and t_{RP} , have been met prior to changing the frequency
- The initial clock frequency must be maintained for a minimum of two clock cycles after CKE goes LOW
- The clock satisfies $t_{CH}(abs)$ and $t_{CL}(abs)$ for a minimum of two clock cycles prior to CKE going HIGH

For input clock frequency changes, $t_{CK}(MIN)$ and $t_{CK}(MAX)$ must be met for each clock cycle.

After the input clock frequency is changed and CKE is held HIGH, additional MRW commands may be required to set the WR, RL, etc. These settings may require adjustment to meet minimum timing requirements at the target clock frequency.

For clock stop, CK is held LOW and CK# is held HIGH.

NO OPERATION Command

The NO OPERATION (NOP) command prevents the device from registering any unwanted commands issued between operations. A NOP command can only be issued at clock cycle N when the CKE level is constant for clock cycle N-1 and clock cycle N. The NOP command has two possible encodings: CS# HIGH at the clock rising edge N; and CS# LOW with CA0, CA1, CA2 HIGH at the clock rising edge N.

The NOP command will not terminate a previous operation that is still in process, such as a READ burst or WRITE burst cycle

Electrical Specifications

Absolute Maximum DC Ratings

Stresses greater than those listed may cause permanent damage to the device. This is a stress rating only, and functional operation of the device at these or any other conditions above those indicated in the operational sections of this specification is not implied. Exposure to absolute maximum rating conditions for extended periods may affect reliability.

| Parameter | Symbol | Min | Max | Units | Notes |
|--|------------------|------|-----|-------|-------|
| VDD1 supply voltage relative to VSS | VDD1 | -0.4 | 2.3 | V | 2 |
| VDD2 supply voltage relative to VSS | VDD2 | -0.4 | 1.6 | V | 2 |
| VDDCA supply voltage relative to VSSCA | VDDCA | -0.4 | 1.6 | V | 2,4 |
| VDDQ supply voltage relative to VSSQ | VDDQ | -0.4 | 1.6 | V | 2,3 |
| Voltage on any ball relative to VSS | VIN, VOUT | -0.4 | 1.6 | V | |
| Storage Temperature | T _{STG} | -55 | 125 | °C | 5 |

Notes:

1. Stresses greater than those listed under “Absolute Maximum Ratings” may cause permanent damage to the device. This is a stress rating only and functional operation of the device at these or any other conditions above those indicated in the operational sections of this specification is not implied. Exposure to absolute maximum rating conditions for extended periods may affect reliability
2. See “Power-Ramp” section in “Power-up, Initialization, and Power-Off” for relationships between power supplies.
3. VREFDQ 0.6 x VDDQ; however, VREFDQ may be VDDQ provided that VREFDQ 300mV.
4. VREFCA 0.6 x VDDCA; however, VREFCA may be VDDCA provided that VREFCA 300mV.
5. Storage Temperature is the case surface temperature on the center/top side of the LPDDR2 device. For the measurement conditions, please refer to JESD51-2 standard.

Input/Output Capacitance

| Parameter | Symbol | LPDDR2 800-466 | | LPDDR2 400-200 | | Unit | Notes |
|--|------------|----------------|-------|----------------|-------|------|-------------|
| | | MIN | MAX | MIN | MAX | | |
| Input capacitance, CK and CK# | C_{CK} | 1.0 | 2.0 | 1.0 | 2.0 | pF | 2, 3 |
| Input capacitance delta, CK and CK# | C_{DCK} | 0 | 0.20 | 0 | 0.25 | pF | 2, 3, 4 |
| Input capacitance, all other input-only pins | C_I | 1.0 | 2.0 | 1.0 | 2.0 | pF | 2, 3, 5 |
| Input capacitance delta, all other input-only pins | C_{DI} | -0.40 | +0.40 | -0.50 | +0.50 | pF | 2, 3, 6 |
| Input/output capacitance, DQ, DM, DQS, DQS# | C_{IO} | 1.25 | 2.5 | 1.25 | 2.5 | pF | 2, 3, 7, 8 |
| Input/output capacitance delta, DQS, DQS# | C_{DDQS} | 0 | 0.25 | 0 | 0.30 | pF | 2, 3, 8, 9 |
| Input/output capacitance delta, DQ, DM | C_{DIO} | -0.5 | +0.5 | -0.6 | +0.6 | pF | 2, 3, 8, 10 |

Notes:

1. TC -25°C to +105°C; VDDQ = 1.14–1.3V; VDDCA = 1.14–1.3V; VDD1 = 1.7–1.95V; VDD2 = 1.14–1.3V).
2. This parameter applies to die devices only (does not include package capacitance).
3. This parameter is not subject to production testing. It is verified by design and characterization. The capacitance is measured according to JEP147 (procedure for measuring input capacitance using a vector network analyzer), with VDD1, VDD2, VDDQ, VSS, VSSCA, and VSSQ applied; all other pins are left floating.
4. Absolute value of CCK - CCK#.
5. CI applies to CS#, CKE, and CA[9:0].
6. CDI = CI - 0.5 × (CCK + CCK#).
7. DM loading matches DQ and DQS.
8. MR3 I/O configuration drive strength OP[3:0] = 0001b (34.3 ohm typical).
9. Absolute value of CDQS and CDQS#.
10. CDIO = CIO - 0.5 × (CDQS + CDQS#) in byte-lane.
11. Maximum external load capacitance on ZQ pin: 5pF.

Operation or timing that is not specified is illegal, and after such an event, in order to guarantee proper operation, the LPDDR2 Device must be powered down and then restarted through the specialized initialization sequence before normal operation can continue.

Recommended DC Operating Conditions

| Symbol | LPDDR2-S4B | | | DRAM | Unit |
|--------|------------|------|------|--------------------|------|
| | Min | Typ | Max | | |
| VDD1 | 1.70 | 1.80 | 1.95 | Core Power1 | V |
| VDD2 | 1.14 | 1.20 | 1.3 | Core Power2 | V |
| VDDCA | 1.14 | 1.20 | 1.3 | Input Buffer Power | V |
| VDDQ | 1.14 | 1.20 | 1.3 | I/O Buffer Power | V |

NOTE 1 VDD1 uses significantly less power than VDD2

Input Leakage Current

| Parameter/Condition | Symbol | Min | Max | Unit | Notes |
|--|------------|-----|-----|------|-------|
| Input Leakage current For CA, CKE, CS_n, CK_t, CK_c Any input $0V \leq V_{IN} \leq V_{DDCA}$ (All other pins not under test = 0V) | I_L | -2 | 2 | uA | 2 |
| V_{REF} supply leakage current $V_{REFDQ} = V_{DDQ}/2$ or $V_{REFCA} = V_{DDCA}/2$ (All other pins not under test = 0V) | I_{VREF} | -1 | 1 | uA | 1 |

Notes:

1. The minimum limit requirement is for testing purposes. The leakage current on VREFCA and VREFDQ pins should be minimal.
2. Although DM is for input only, the DM leakage shall match the DQ and DQS_t/DQS_c output leakage specification.

Operating Temperature Range

| Parameter/Condition | Symbol | Min | Max | Unit |
|---------------------|------------|-----|-----|------|
| Standard | T_{OPER} | -40 | 85 | °C |
| Extended | | 85 | 105 | °C |

Notes:

1. Operating Temperature is the case surface temperature on the center/top side of the LPDDR2 device. For the measurement conditions, please refer to JESD51-2 standard.
2. Some applications require operation of LPDDR2 in the maximum temperature conditions in the Extended Temperature Range between 85°C and 105°C case temperature. For LPDDR2 devices, some derating is necessary to operate in this range. See MR4 on page 40.
3. Either the device case temperature rating or the temperature sensor (See “Temperature Sensor”) may be used to set an appropriate refresh rate, determine the need for AC timing de-rating and/or monitor the operating temperature. When using the temperature sensor, the actual device case temperature may be higher than the TOPER rating that applies for the Standard or Extended Temperature Ranges. For example, TCASE may be above 85°C when the temperature sensor indicates a temperature of less than 85°C.

Thermal Resistance

| Package | Substrate | Theta-ja (Airflow= 0m/s) | Theta-ja (Airflow=1m/s) | Theta-ja (Airflow=2m/s) | Theta-jc | Units |
|------------------|-----------|-----------------------------|----------------------------|----------------------------|----------|-------|
| 134-ball BGA | 4-layer | 33.8 | 28.1 | 26.1 | 4.0 | C/W |
| 168-ball PoP BGA | 4-layer | 26.6 | 22.0 | 20.4 | 3.8 | C/W |

AC and DC Input Levels for Single-Ended CA and CS_n Signals

Single-Ended AC and DC Input Levels for CA and CS_n Inputs

| Symbol | Parameter | LPDDR2-800 to LPDDR2-466 | | LPDDR2-400 to LPDDR2-200 | | Unit | Notes |
|-------------------------|--|--------------------------|--------------------------|--------------------------|--------------------------|------|-------|
| | | Min | Max | Min | Max | | |
| V _{IHCA} (AC) | AC input logic high | V _{ref} + 0.220 | Note 2 | V _{ref} + 0.300 | Note 2 | V | 1, 2 |
| V _{ILCA} (AC) | AC input logic low | Note 2 | V _{ref} - 0.220 | Note 2 | V _{ref} - 0.300 | V | 1, 2 |
| V _{IHCA} (DC) | DC input logic high | V _{ref} + 0.130 | VDDCA | V _{ref} + 0.200 | VDDCA | V | 1 |
| V _{ILCA} (DC) | DC input logic low | VSSCA | V _{ref} - 0.130 | VSSCA | V _{ref} - 0.200 | V | 1 |
| V _{RefCA} (DC) | Reference Voltage for CA and CS_n inputs | 0.49 * VDDCA | 0.51 * VDDCA | 0.49 * VDDCA | 0.51 * VDDCA | V | 3, 4 |

Notes:

1. For CA and CS_n input only pins. V_{ref} = V_{refCA}(DC).
2. See "Overshoot and Undershoot Specifications"
3. The ac peak noise on V_{RefCA} may not allow V_{RefCA} to deviate from V_{RefCA}(DC) by more than +/-1% VDDCA (for reference: approx. +/- 12 mV).
4. For reference: approx. VDDCA/2 +/- 12 mV.

AC and DC Input Levels for CKE

Single-Ended AC and DC Input Levels for CKE

| Symbol | Parameter | Min | Max | Unit | Notes |
|--------------------|----------------------|-------------|-------------|------|-------|
| V _{IHCKE} | CKE Input High Level | 0.8 * VDDCA | Note 1 | V | 1 |
| V _{ILCKE} | CKE Input Low Level | Note 1 | 0.2 * VDDCA | V | 1 |

Note:

1. See "Overshoot and Undershoot Specifications"

AC and DC Input Levels for Single-Ended Data Signals

Single-Ended AC and DC Input Levels for DQ and DM

| Symbol | Parameter | LPDDR2-800 to LPDDR2-466 | | LPDDR2-400 to LPDDR2-200 | | Unit | Notes |
|-------------------------|-------------------------------------|--------------------------|--------------------------|--------------------------|--------------------------|------|---------|
| | | Min | Max | Min | Max | | |
| V _{IHDQ} (AC) | AC input logic high | V _{ref} + 0.220 | Note 2 | V _{ref} + 0.300 | Note 2 | V | 1, 2, 5 |
| V _{ILDQ} (AC) | AC input logic low | Note 2 | V _{ref} - 0.220 | Note 2 | V _{ref} - 0.300 | V | 1, 2, 5 |
| V _{IHDQ} (DC) | DC input logic high | V _{ref} + 0.130 | VDDQ | V _{ref} + 0.200 | VDDQ | V | 1 |
| V _{ILDQ} (DC) | DC input logic low | VSSQ | V _{ref} - 0.130 | VSSQ | V _{ref} - 0.200 | V | 1 |
| V _{RefDQ} (DC) | Reference Voltage for DQ, DM inputs | 0.49 * VDDQ | 0.51 * VDDQ | 0.49 * VDDQ | 0.51 * VDDQ | V | 3, 4 |

Notes:

1. For DQ input only pins. V_{ref} = V_{refDQ}(DC).
2. See "Overshoot and Undershoot Specifications"
3. The ac peak noise on V_{RefDQ} may not allow V_{RefDQ} to deviate from V_{RefDQ}(DC) by more than +/-1% VDDQ (for reference: approx. +/- 12 mV).
4. For reference: approx. VDDQ/2 +/- 12 mV.

LPDDR2-S4 Refresh Requirement Parameters

| Parameter | Symbol | 1Gb | Unit |
|--|--------|---------|-------|
| Number of Banks | | 8 | |
| Refresh Window $T_{case} \leq 85^{\circ}\text{C}$ | tREFW | 32 | ms |
| Refresh Window $85^{\circ}\text{C} < T_{case} \leq 105^{\circ}\text{C}$ | tREFW | 8 | ms |
| Required number of REFRESH commands (min) | R | 4096 | |
| Average time between REFRESH commands (for reference only) $T_{case} \leq 85^{\circ}\text{C}$ | REFab | tREFI | 7.8 |
| | REFpb | tREFIpb | 0.975 |
| | | | us |
| Refresh Cycle time | tRFCab | 130 | ns |
| Per Bank Refresh Cycle time | tRFCpb | 60 | ns |
| Burst Refresh Window = (4 x 8 x tRFCab) | tREFBW | 4.16 | us |

AC TIMINGS

LPDDR2 AC Timing Table *9

| Parameter | Symbol | min max | min t _{CK} | LPDDR2 | | | | | | | | | | Unit |
|---|----------------------------------|------------|---------------------|---|------|------|-------|------|------|-------|-------|--|-----|-----------------------|
| | | | | 800 | 667 | 533 | 466*5 | 400 | 333 | 266*5 | 200*5 | | | |
| Max. Frequency ⁴ | | ~ | | 400 | 333 | 266 | 233 | 200 | 166 | 133 | 100 | | MHz | |
| Clock Timing | | | | | | | | | | | | | | |
| Average Clock Period | t _{CK} (avg) | min max | | 2.5 | 3 | 3.75 | 4.3 | 5 | 6 | 7.5 | 10 | | ns | |
| Average high pulse width | t _{CH} (avg) | min max | | 100 | | | | | | | | | | t _{CK} (avg) |
| Average low pulse width | t _{CL} (avg) | min max | | 0.45 | | | | | | | | | | t _{CK} (avg) |
| Absolute Clock Period | t _{CK} (abs) | min max | | 0.55 | | | | | | | | | | t _{CK} (avg) |
| Absolute clock HIGH pulse width (with allowed jitter) | t _{CH} (abs), allowed | min max | | t _{CK} (avg)min + t _{JIT} (per),min | | | | | | | | | | ps |
| Absolute clock LOW pulse width (with allowed jitter) | t _{CL} (abs), allowed | min max | | 0.43 | | | | | | | | | | t _{CK} (avg) |
| Clock Period Jitter (with allowed jitter) | t _{JIT} (per), allowed | min max | | 0.57 | | | | | | | | | | t _{CK} (avg) |
| Maximum Clock Jitter between two consecutive clock cycles (with allowed jitter) | t _{JIT} (cc), allowed | min max | | 0.43 | | | | | | | | | | t _{CK} (avg) |
| Duty cycle Jitter (with allowed jitter) | t _{JIT} (duty), allowed | min max | | 0.57 | | | | | | | | | | t _{CK} (avg) |
| Cumulative error across 2 cycles | t _{ERR} (2per), allowed | min max | | -100 | -110 | -120 | -130 | -140 | -150 | -180 | -250 | | ps | |
| Cumulative error across 3 cycles | t _{ERR} (3per), allowed | min max | | 100 | 110 | 120 | 130 | 140 | 150 | 180 | 250 | | ps | |
| Cumulative error across 4 cycles | t _{ERR} (4per), allowed | min max | | 200 | 220 | 240 | 260 | 280 | 300 | 360 | 500 | | ps | |
| Cumulative error across 5 cycles | t _{ERR} (5per), allowed | min max | | min((t _{CH} (abs),min - t _{CH} (avg),min), (t _{CL} (abs),min - t _{CL} (avg),min)) * t _{CK} (avg) | | | | | | | | | | ps |
| Cumulative error across 6 cycles | t _{ERR} (6per), allowed | min max | | max((t _{CH} (abs),max - t _{CH} (avg),max), (t _{CL} (abs),max - t _{CL} (avg),max)) * t _{CK} (avg) | | | | | | | | | | ps |
| Cumulative error across 7 cycles | t _{ERR} (7per), allowed | min max | | -147 | -162 | -177 | -191 | -206 | -221 | -265 | -368 | | ps | |
| | | | | 147 | 162 | 177 | 191 | 206 | 221 | 265 | 368 | | ps | |
| | | | | -175 | -192 | -210 | -227 | -245 | -262 | -314 | -437 | | ps | |
| | | | | 175 | 192 | 210 | 227 | 245 | 262 | 314 | 437 | | ps | |
| | | | | -194 | -214 | -233 | -253 | -272 | -291 | -350 | -486 | | ps | |
| | | | | 194 | 214 | 233 | 253 | 272 | 291 | 350 | 486 | | ps | |
| | | | | -209 | -230 | -251 | -272 | -293 | -314 | -377 | -524 | | ps | |
| | | | | 209 | 230 | 251 | 272 | 293 | 314 | 377 | 524 | | ps | |
| | | | | -222 | -244 | -266 | -288 | -311 | -333 | -399 | -555 | | ps | |
| | | | | 222 | 244 | 266 | 288 | 311 | 333 | 399 | 555 | | ps | |
| | | | | -232 | -256 | -279 | -302 | -325 | -348 | -418 | -581 | | ps | |
| | | | | 232 | 256 | 279 | 302 | 325 | 348 | 418 | 581 | | ps | |

LPDDR2 AC Timing Table *9

| Parameter | Symbol | min max | min t _{CK} | LPDDR2 | | | | | | | | Unit |
|--|----------------------------------|---------|---------------------|--|------|------|-------|------|------|-------|-------|------|
| | | | | 800 | 667 | 533 | 466*5 | 400 | 333 | 266*5 | 200*5 | |
| Cumulative error across 8 cycles | t _{ERR(8per), allowed} | min | | -214 | -266 | -290 | -314 | -338 | -362 | -435 | -604 | ps |
| | | max | | 214 | 266 | 290 | 314 | 338 | 362 | 435 | 604 | |
| Cumulative error across 9 cycles | t _{ERR(9per), allowed} | min | | -249 | -274 | -299 | -324 | -349 | -374 | -449 | -624 | ps |
| | | max | | 249 | 274 | 299 | 324 | 349 | 374 | 449 | 624 | |
| Cumulative error across 10 cycles | t _{ERR(10per), allowed} | min | | -257 | -282 | -308 | -334 | -359 | -385 | -462 | -641 | ps |
| | | max | | 257 | 282 | 308 | 334 | 359 | 385 | 462 | 641 | |
| Cumulative error across 11 cycles | t _{ERR(11per), allowed} | min | | -263 | -289 | -316 | -342 | -368 | -395 | -474 | -658 | ps |
| | | max | | 263 | 289 | 316 | 342 | 368 | 395 | 474 | 658 | |
| Cumulative error across 12 cycles | t _{ERR(12per), allowed} | min | | -269 | -296 | -323 | -350 | -377 | -403 | -484 | -672 | ps |
| | | max | | 269 | 296 | 323 | 350 | 377 | 403 | 484 | 672 | |
| Cumulative error across n = 13, 14 . . . 49, 50 cycles | t _{ERR(nper), allowed} | min | | t _{ERR(nper), allowed, min} = (1 + 0.68ln(n)) * t _{JIT(per), allowed, min} | | | | | | | | ps |
| | | max | | t _{ERR(nper), allowed, max} = (1 + 0.68ln(n)) * t _{JIT(per), allowed, max} | | | | | | | | |

LPDDR2 AC Timing Table *9

| Parameter | Symbol | min max | min t _{CK} | LPDDR2 ¹⁵ | | | | | | Unit | | |
|--|----------------------|---------|---------------------|---|------|------|------|-------------------|-------------------|-----------------------|------|----|
| | | | | 800 | 667 | 533 | 400 | 266 ¹⁵ | 200 ¹⁵ | | | |
| ZQ Calibration Parameters | | | | | | | | | | | | |
| Initialization Calibration Time | t _{ZQINIT} | min | | 1 | | | | | | us | | |
| Long Calibration Time | t _{ZQCL} | min | 6 | 360 | | | | | | ns | | |
| Short Calibration Time | t _{ZQCS} | min | 6 | 90 | | | | | | ns | | |
| Calibration Reset Time | t _{ZQRESET} | min | 3 | 50 | | | | | | ns | | |
| Read Parameters *14 | | | | | | | | | | | | |
| DQS output access time from CK _t /CK _c | t _{DQACK} | min | | 2500 | | | | | | ps | | |
| | | max | | 5500 | | | | | | | | |
| DQACK Delta Short ^{*18} | t _{DQACKDS} | max | | 450 | 540 | 670 | 770 | 900 | 1080 | 1350 | 1800 | ps |
| DQACK Delta Medium ^{*19} | t _{DQACKDM} | max | | 900 | 1050 | 1350 | 1550 | 1800 | 1900 | 2000 | 2100 | ps |
| DQACK Delta Long ^{*20} | t _{DQACKDL} | max | | 1200 | 1400 | 1800 | 2100 | 2400 | - | - | - | ps |
| DQS - DQ skew | t _{DQSQ} | max | | 240 | 280 | 340 | 370 | 400 | 500 | 600 | 700 | ps |
| Data hold skew factor | t _{QHS} | max | | 280 | 340 | 400 | 450 | 480 | 600 | 750 | 1000 | ps |
| DQS Output High Pulse Width | t _{QSH} | min | | t _{CH} (abs) - 0.05 | | | | | | t _{CK} (avg) | | |
| DQS Output Low Pulse Width | t _{QSL} | min | | t _{CL} (abs) - 0.05 | | | | | | t _{CK} (avg) | | |
| Data Half Period | t _{QHP} | min | | min(t _{QSH} , t _{QSL}) | | | | | | t _{CK} (avg) | | |
| DQ / DQS output hold time from DQS | t _{QH} | min | | t _{QHP} - t _{QHS} | | | | | | ps | | |
| Read preamble ^{*15,*16} | t _{RPRE} | min | | 0.9 | | | | | | t _{CK} (avg) | | |
| Read postamble ^{*15,*17} | t _{RPST} | min | | t _{CL} (abs) - 0.05 | | | | | | t _{CK} (avg) | | |
| DQS low-Z from clock ^{*15} | t _{LZ(DQS)} | min | | t _{DQACK(MIN)} - 300 | | | | | | ps | | |
| DQ low-Z from clock ^{*15} | t _{LZ(DQ)} | min | | t _{DQACK(MIN)} - (1.4 * t _{QHS(MAX)}) | | | | | | ps | | |
| DQS high-Z from clock ^{*15} | t _{HZ(DQS)} | max | | t _{DQACK(MAX)} - 100 | | | | | | ps | | |
| DQ high-Z from clock ^{*15} | t _{HZ(DQ)} | max | | t _{DQACK(MAX)} + (1.4 * t _{DQSQ(MAX)}) | | | | | | ps | | |

LPDDR2 AC Timing Table *9

| Parameter | Symbol | min max | min t _{CK} | LPDDR2 | | | | | | | Unit | |
|---|-------------------|---------|---------------------|--------|-----|-----|------------------|------|-----|------------------|------|-----------------------|
| | | | | 800 | 667 | 533 | 466 ⁵ | 400 | 333 | 266 ⁵ | | 200 ⁵ |
| *14 Write Parameters | | | | | | | | | | | | |
| DQ and DM input hold time (V _{ref} based) | t _{DH} | min | | 270 | 350 | 430 | 450 | 480 | 600 | 750 | 1000 | ps |
| DQ and DM input setup time (V _{ref} based) | t _{DS} | min | | 270 | 350 | 430 | 450 | 480 | 600 | 750 | 1000 | ps |
| DQ and DM input pulse width | t _{DIPW} | min | | | | | | 0.35 | | | | t _{CK} (avg) |
| Write command to 1st DQS latching transition | t _{DQSS} | min | | | | | | 0.75 | | | | t _{CK} (avg) |
| | | max | | | | | | 1.25 | | | | t _{CK} (avg) |
| DQS input high-level width | t _{DQSH} | min | | | | | | 0.4 | | | | t _{CK} (avg) |
| DQS input low-level width | t _{DQSL} | min | | | | | | 0.4 | | | | t _{CK} (avg) |
| DQS falling edge to CK setup time | t _{DSS} | min | | | | | | 0.2 | | | | t _{CK} (avg) |
| DQS falling edge hold time from CK | t _{DSH} | min | | | | | | 0.2 | | | | t _{CK} (avg) |
| Write postamble | t _{WPST} | min | | | | | | 0.4 | | | | t _{CK} (avg) |
| Write preamble | t _{WPRE} | min | | | | | | 0.35 | | | | t _{CK} (avg) |

LPDDR2 AC Timing Table *9

| Parameter | Symbol | min | max | min t _{CK} | LPDDR2 | | | | | | | Unit | |
|--|-----------------------|-----|-----|---------------------|--------|-----|-----|-------|------|-----|-------|-----------------------|-----------------------|
| | | | | | 800 | 667 | 533 | 466*5 | 400 | 333 | 266*5 | | 200*5 |
| CKE Input Parameters | | | | | | | | | | | | | |
| CKE min. pulse width (high and low pulse width) | t _{CKE} | min | | 3 | | | | | 3 | | | t _{CK} (avg) | |
| CKE input setup time | t _{ISCKE} *2 | min | | | | | | | 0.25 | | | t _{CK} (avg) | |
| CKE input hold time | t _{IHCKE} *3 | min | | | | | | | 0.25 | | | t _{CK} (avg) | |
| Command Address Input Parameters *14 | | | | | | | | | | | | | |
| Address and control input setup time (V _{ref} based) | t _{IS} *1 | min | | | 290 | 370 | 460 | 520 | 600 | 740 | 900 | 1150 | ps |
| Address and control input hold time (V _{ref} based) | t _{IH} *1 | min | | | 290 | 370 | 460 | 520 | 600 | 740 | 900 | 1150 | ps |
| Address and control input pulse width | t _{IPW} | min | | | | | | | 0.40 | | | | t _{CK} (avg) |
| Boot Parameters (10 MHz - 55 MHz) *8,10,11 | | | | | | | | | | | | | |
| Clock Cycle Time | t _{CKb} | max | | | | | | | 100 | | | | ns |
| | | min | | | | | | | 18 | | | | |
| CKE Input Setup Time | t _{ISCKEb} | min | | | | | | | 2.5 | | | | ns |
| CKE Input Hold Time | t _{IHCKEb} | min | | | | | | | 2.5 | | | | ns |
| Address & Control Input Setup Time | t _{ISb} | min | | | | | | | 1150 | | | | ps |
| Address & Control Input Hold Time | t _{IHb} | min | | | | | | | 1150 | | | | ps |
| DQS Output Data Access Time from CK_t/CK_c | t _{DOSCKb} | min | | | | | | | 2.0 | | | | ns |
| | | max | | | | | | | 10.0 | | | | |
| Data Strobe Edge to Output Data Edge t _{DOSOb} - 1.2 | t _{DOSOb} | max | | | | | | | 1.2 | | | | ns |
| Data Hold Skew Factor | t _{OHsb} | max | | | | | | | 1.2 | | | | ns |
| Mode Register Parameters | | | | | | | | | | | | | |
| MODE REGISTER Write command period | t _{MRW} | min | | 5 | | | | | 5 | | | | t _{CK} (avg) |
| Mode Register Read command period | t _{MRR} | min | | 2 | | | | | 2 | | | | t _{CK} (avg) |

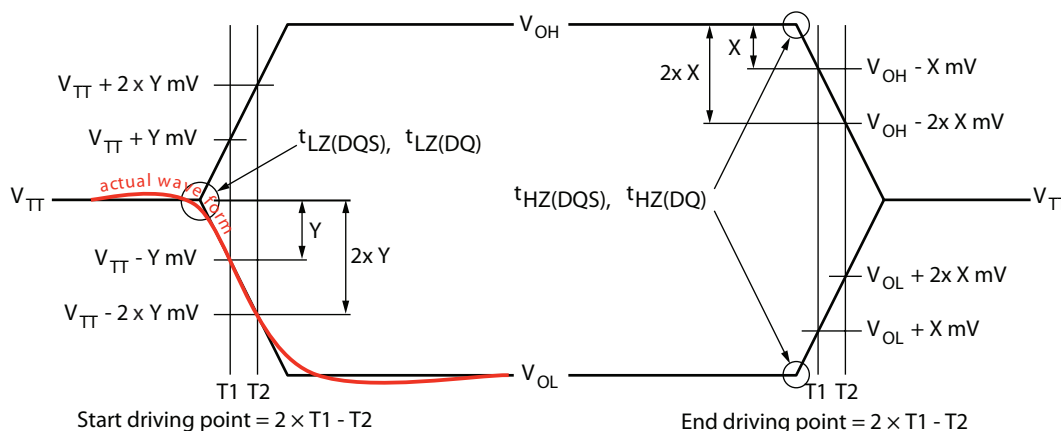
LPDDR2 AC Timing Table *9

| Parameter | Symbol | min max | min t _{CK} | LPDDR2 SDRAM Core Parameters *12 | | | | | | | | | | Unit |
|--|--------------------------|---------|---------------------|----------------------------------|-----|-----|--------|-----|-----|--------|--------|-----------------------|--|------|
| | | | | LPDDR2 | | | | | | | | | | |
| | | | | 800 | 667 | 533 | 466 *5 | 400 | 333 | 266 *5 | 200 *5 | | | |
| Read Latency | RL | min | 3 | 6 | 5 | 4 | | 4 | 3 | | | t _{CK} (avg) | | |
| Write Latency | WL | min | 1 | 3 | 2 | 2 | | 2 | 1 | | | t _{CK} (avg) | | |
| ACTIVE to ACTIVE command period | t _{RC} | min | | | | | | | | | | ns | | |
| CKE min. pulse width during Self-Refresh (low pulse width during Self-Refresh) | t _{CKESR} | min | 3 | 15 | | | | | 15 | | | ns | | |
| Self refresh exit to next valid command delay | t _{XSRR} | min | 2 | | | | | | | | | ns | | |
| Exit power down to next valid command delay | t _{XP} | min | 2 | 7.5 | | | | | 7.5 | | | ns | | |
| LPDDR2-S4 CAS to CAS delay | t _{CCD} | min | 2 | 2 | | | | | 2 | | | t _{CK} (avg) | | |
| Internal Read to Precharge command delay | t _{RTP} | min | 2 | 7.5 | | | | | 7.5 | | | ns | | |
| RAS to CAS Delay | t _{RCD} | Fast | 3 | 15 | | | | | 15 | | | ns | | |
| | | Typ | 3 | 18 | | | | | 18 | | | ns | | |
| | | Slow | 3 | 24 | | | | | 24 | | | ns | | |
| Row Precharge Time (single bank) | t _{RPBb} | Fast | 3 | 15 | | | | | 15 | | | ns | | |
| | | Typ | 3 | 18 | | | | | 18 | | | ns | | |
| | | Slow | 3 | 24 | | | | | 24 | | | ns | | |
| Row Precharge Time (all banks) | t _{RPAb} 4-bank | Fast | 3 | 15 | | | | | 15 | | | ns | | |
| | | Typ | 3 | 18 | | | | | 18 | | | ns | | |
| | | Slow | 3 | 24 | | | | | 24 | | | ns | | |
| Row Precharge Time (all banks) | t _{RPAb} 8-bank | Fast | 3 | 18 | | | | | 18 | | | ns | | |
| | | Typ | 3 | 21 | | | | | 21 | | | ns | | |
| | | Slow | 3 | 27 | | | | | 27 | | | ns | | |
| Row Active Time | t _{RAS} | min | 3 | 42 | | | | | 42 | | | ns | | |
| | | max | - | 70 | | | | | 70 | | | us | | |
| Write Recovery Time | t _{WR} | min | 3 | 15 | | | | | 15 | | | ns | | |
| Internal Write to Read Command Delay | t _{WTR} | min | 2 | 7.5 | | | | | 7.5 | | | ns | | |
| Active bank A to Active bank B | t _{RRD} | min | 2 | 10 | | | | | 10 | | | ns | | |
| Four Bank Activate Window | t _{FAW} | min | 8 | 50 | | | | 50 | 60 | | | ns | | |
| Minimum Deep Power Down Time | t _{DPD} | min | | 500 | | | | | 500 | | | us | | |

Notes:

1. Frequency values are for reference only. Clock cycle time (tCK) is used to determine device capabilities.
2. All AC timings assume an input slew rate of 1 V/ns.
3. READ, WRITE, and input setup and hold values are referenced to VREF.
4. tDQSCKDS is the absolute value of the difference between any two tDQSCK measurements (in a byte lane) within a contiguous sequence of bursts in a 160ns rolling window. tDQSCKDS is not tested and is guaranteed by design. Temperature drift in the system is < 10°C/s. Values do not include clock jitter.
5. tDQSCKDM is the absolute value of the difference between any two tDQSCK measurements (in a byte lane) within a 1.6µs rolling window. tDQSCKDM is not tested and is guaranteed by design. Temperature drift in the system is < 10°C/s. Values do not include clock jitter.
6. tDQSCKDL is the absolute value of the difference between any two tDQSCK measurements (in a byte lane) within a 32ms rolling window. tDQSCKDL is not tested and is guaranteed by design. Temperature drift in the system is < 10°C/s. Values do not include clock jitter.
7. For LOW-to-HIGH and HIGH-to-LOW transitions, the timing reference is at the point when the signal crosses the transition threshold (VTT). tHZ and tLZ transitions occur in the same access time (with respect to clock) as valid data transitions. These parameters are not referenced to a specific voltage level but to the time when the device output is no longer driving (for tRPST, tHZ(DQS) and tHZ(DQ)), or begins driving (for tRPRE, tLZ(DQS), tLZ(DQ)). Figure shows a method to calculate the point when device is no longer driving tHZ(DQS) and tHZ(DQ), or begins driving tLZ(DQS), tLZ(DQ) by measuring the signal at two different voltages. The actual voltage measurement points are not critical as long as the calculation is consistent. The parameters tLZ(DQS), tLZ(DQ), tHZ(DQS), and tHZ(DQ) are defined as single-ended. The timing parameters tRPRE and tRPST are determined from the differential signal DQS, /DQS.

Output Transition Timing



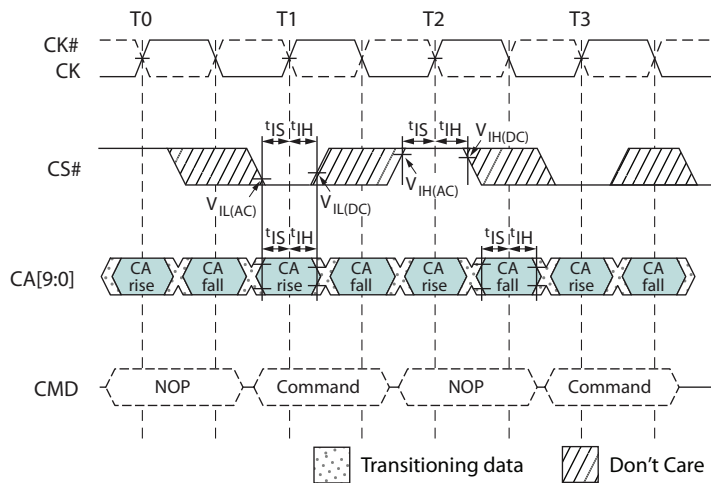
8. Measured from the point when DQS, /DQS begins driving the signal to the point when DQS, /DQS begins driving the first rising strobe edge.
9. Measured from the last falling strobe edge of DQS, /DQS to the point when DQS, /DQS finishes driving the signal.
10. CKE input setup time is measured from CKE reaching a HIGH/LOW voltage level to CK, /CK crossing.
11. CKE input hold time is measured from CK, /CK crossing to CKE reaching a HIGH/LOW voltage level.
12. Input set-up/hold time for signal (CA[9:0], /CS).
13. To ensure device operation before the device is configured, a number of AC boot-timing parameters are defined in this table. Boot parameter symbols have the letter b appended (for example, tCK during boot is tCKb).
14. The LPDDR device will set some mode register default values upon receiving a RESET (MRW) command as specified in — Mode Register Definitionll.
15. The output skew parameters are measured with default output impedance settings using the reference load.
16. The minimum tCK column applies only when tCK is greater than 6ns.
17. Timing derating applies for operation at 85°C to 105°C when the requirement to derate is indicated by mode register 4 op-code.

18. tDQSKDS is the absolute value of the difference between any two tDQSK measurements (within a byte lane) within a contiguous sequence of bursts within a 160ns rolling window. tDQSKDS is not tested and is guaranteed by design. Temperature drift in the system is <10C/s. Values do not include clock jitter.

19. tDQSKDM is the absolute value of the difference between any two tDQSK measurements (within a byte lane) within a 1.6us rolling window. tDQSKDM is not tested and is guaranteed by design. Temperature drift in the system is <10C/s. Values do not include clock jitter.

20. tDQSKDL is the absolute value of the difference between any two tDQSK measurements (within a byte lane) within a 32ms rolling window. tDQSKDL is not tested and is guaranteed by design. Temperature drift in the system is <10C/s. Values do not include clock jitter.

Command Input Setup and Hold Timing



Notes:

1. The setup and hold timing shown applies to all commands.
2. Setup and hold conditions also apply to the CKE pin. For timing diagrams related to the CKE pin, see Power-Down .

CA and /CS Setup, Hold, and Derating

The For all input signals (CA and /CS), the total required setup time (tIS) and hold time (tIH) is calculated by adding the data sheet tIS (base) and tIH (base) values to the tIS and tIH derating values, respectively. Example: tIS (total setup time) = tIS(base) + tIS.

Setup (tIS) typical slew rate for a rising signal is defined as the slew rate between the last crossing of VREF(DC) and the first crossing of VIH(AC)min. The setup (tIS) typical slew rate for a falling signal is defined as the slew rate between the last crossing of VREF(DC) and the first crossing of VIL(AC)max. If the actual signal is always earlier than the typical slew rate line between the shaded VREF(DC)-to-(AC) region, use the typical slew rate for the derating value. If the actual signal is later than the typical slew rate line anywhere between the shaded VREF(DC)-to-AC region, the slew rate of a tangent line to the actual signal from the AC level to the DC level is used for the derating value.

The hold (tIH) typical slew rate for a rising signal is defined as the slew rate between the last crossing of VIL(DC)max and the first crossing of VREF(DC). The hold (tIH) typical slew rate for a falling signal is defined as the slew rate between the last crossing of VIH(DC)min and the first crossing of VREF(DC). If the actual signal is always later than the typical slew rate line between the shaded DC-to-VREF(DC) region, use the typical slew rate for the derating value. If the actual signal is earlier than the typical slew rate line anywhere between the shaded DC-to-VREF(DC) region, the slew rate of a tangent line to the actual signal from the DC level to VREF(DC) level is used for the derating value.

For a valid transition, the input signal must remain above or below VIH/VIL(AC) for a specified time, tVAC. For slow slew rates the total setup time could be a negative value (that is, a valid input signal will not have reached VIH/VIL(AC) at the time of the rising clock transition). A valid input signal is still required to complete the transition and reach VIH/VIL(AC).

For slew rates between the values listed, the derating values are obtained using linear interpolation. Slew rate values are not typically subject to production testing. They are verified by design and characterization.

CA and /CS Setup and Hold Base Values (> 400 MHz, 1 V/ns slew rate)

| Parameter | Data Rate | | | | Reference |
|------------|-----------|-----|-----|-----|--|
| | 800 | 667 | 533 | 466 | |
| tIS (base) | 70 | 150 | 240 | 300 | $V_{IH}/V_{IL(AC)} = V_{REF(DC)} \pm 220\text{mV}$ |
| tIH (base) | 160 | 240 | 330 | 390 | $V_{IH}/V_{IL(DC)} = V_{REF(DC)} \pm 130\text{mV}$ |

Note: AC/DC referenced for 1 V/ns CA and /CS slew rate and 2 V/ns differential CK, /CK slew rate.

Derating Values for AC/DC-based tIS/tIH (AC220) - tIS, tIH derating in [ps], AC/DC-based

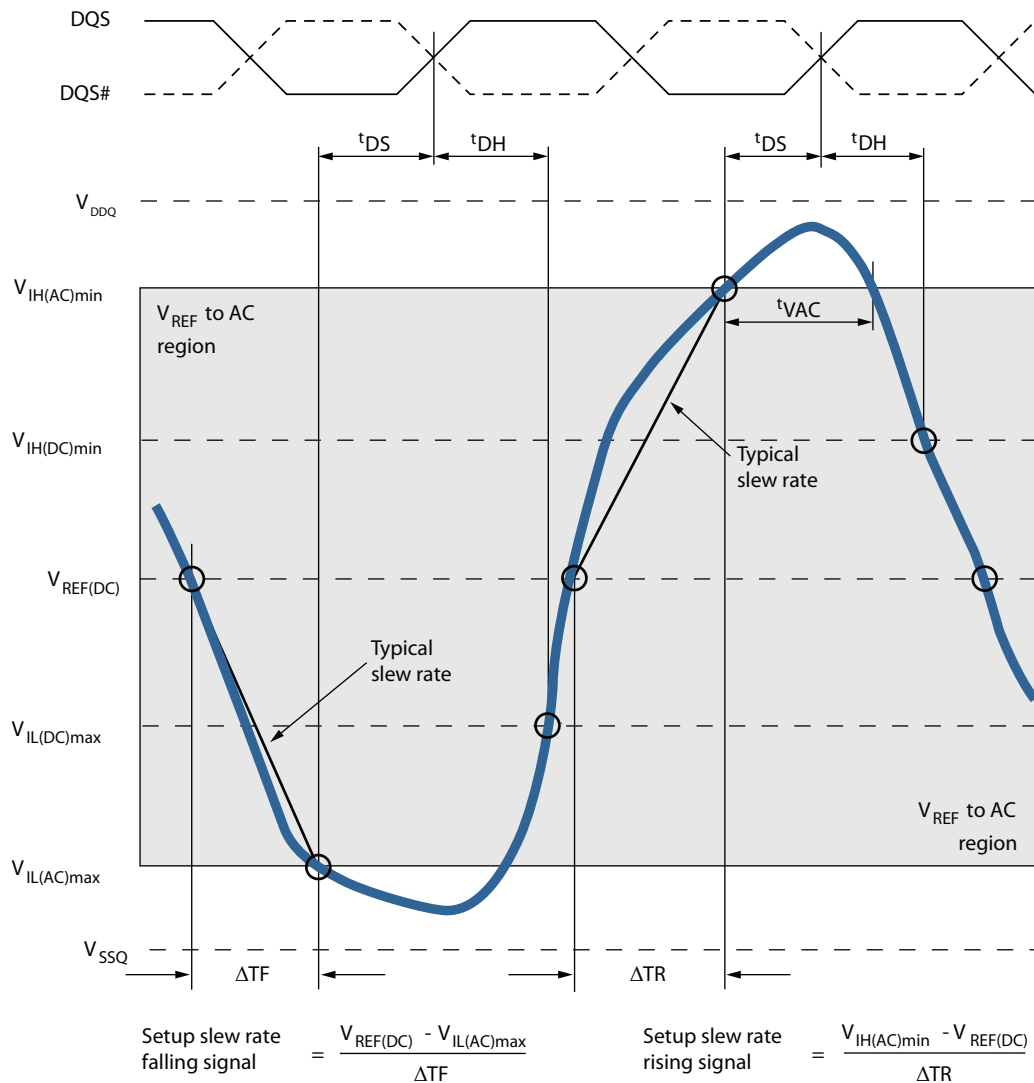
| | | CK, CK# Differential Slew Rate | | | | | | | | | | | | | | | |
|------------------------|-----|--------------------------------|--------------|--------------|--------------|--------------|--------------|--------------|--------------|--------------|--------------|--------------|--------------|--------------|--------------|--------------|--------------|
| | | 4.0 V/ns | | 3.0 V/ns | | 2.0 V/ns | | 1.8 V/ns | | 1.6 V/ns | | 1.4 V/ns | | 1.2 V/ns | | 1.0 V/ns | |
| | | Δ^tIS | Δ^tIH | Δ^tIS | Δ^tIH | Δ^tIS | Δ^tIH | Δ^tIS | Δ^tIH | Δ^tIS | Δ^tIH | Δ^tIS | Δ^tIH | Δ^tIS | Δ^tIH | Δ^tIS | Δ^tIH |
| CA, CS# slew rate V/ns | 2.0 | 110 | 65 | 110 | 65 | 110 | 65 | | | | | | | | | | |
| | 1.5 | 74 | 43 | 73 | 43 | 73 | 43 | 89 | 59 | | | | | | | | |
| | 1.0 | 0 | 0 | 0 | 0 | 0 | 0 | 16 | 16 | 32 | 32 | | | | | | |
| | 0.9 | | | -3 | -5 | -3 | -5 | 13 | 11 | 29 | 27 | 45 | 43 | | | | |
| | 0.8 | | | | | -8 | -13 | 8 | 3 | 24 | 19 | 40 | 35 | 56 | 55 | | |
| | 0.7 | | | | | | | 2 | -6 | 18 | 10 | 34 | 26 | 50 | 46 | 66 | 78 |
| | 0.6 | | | | | | | | | 10 | -3 | 26 | 13 | 42 | 33 | 58 | 65 |
| | 0.5 | | | | | | | | | | | 4 | -4 | 20 | 16 | 36 | 48 |
| | 0.4 | | | | | | | | | | | | | -7 | 2 | 17 | 34 |

Note: Shaded cells are not supported.

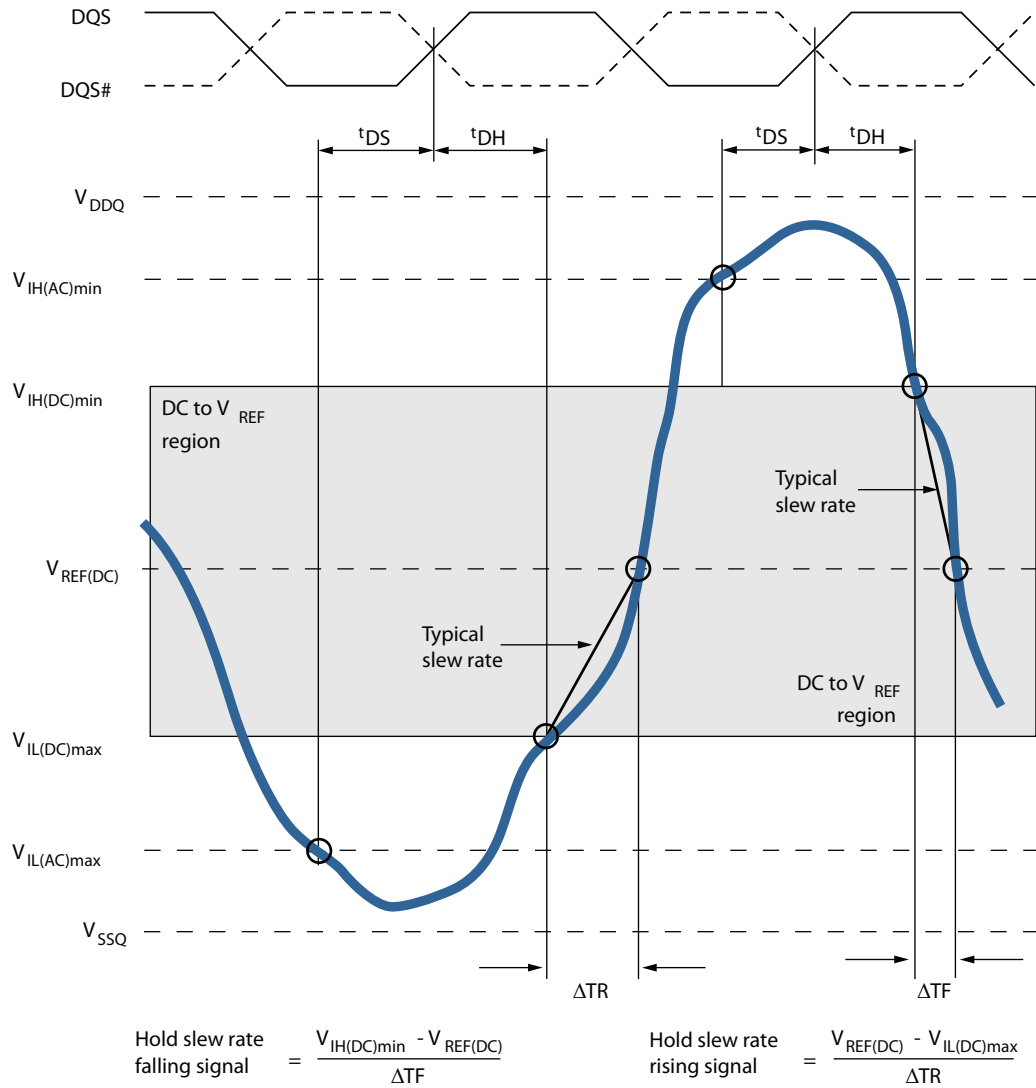
Required Time for Valid Transition with tVAC Above VIH(AC) and Below VIL(AC)

| Slew Rate (V/ns) | tVAC at 300mV (ps) | | tVAC at 220mV (ps) | |
|------------------|--------------------|-----|--------------------|-----|
| | Min | Max | Min | Max |
| >2.0 | 75 | - | 175 | - |
| 2.0 | 57 | - | 170 | - |
| 1.5 | 50 | - | 167 | - |
| 1.0 | 38 | - | 163 | - |
| 0.9 | 34 | - | 162 | - |
| 0.8 | 29 | - | 161 | - |
| 0.7 | 22 | - | 159 | - |
| 0.6 | 13 | - | 155 | - |
| 0.5 | 0 | - | 150 | - |
| <0.5 | 0 | - | 150 | - |

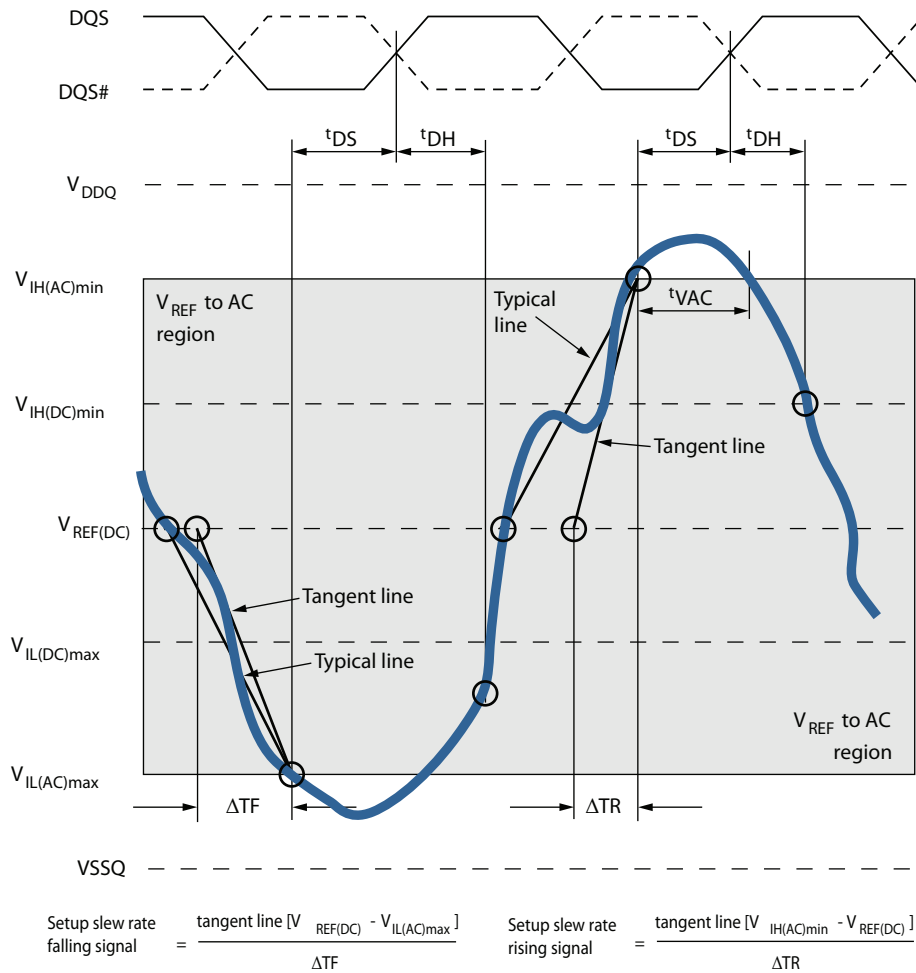
Typical Slew Rate and tVAC: tIS for CA and /CS Relative to Clock



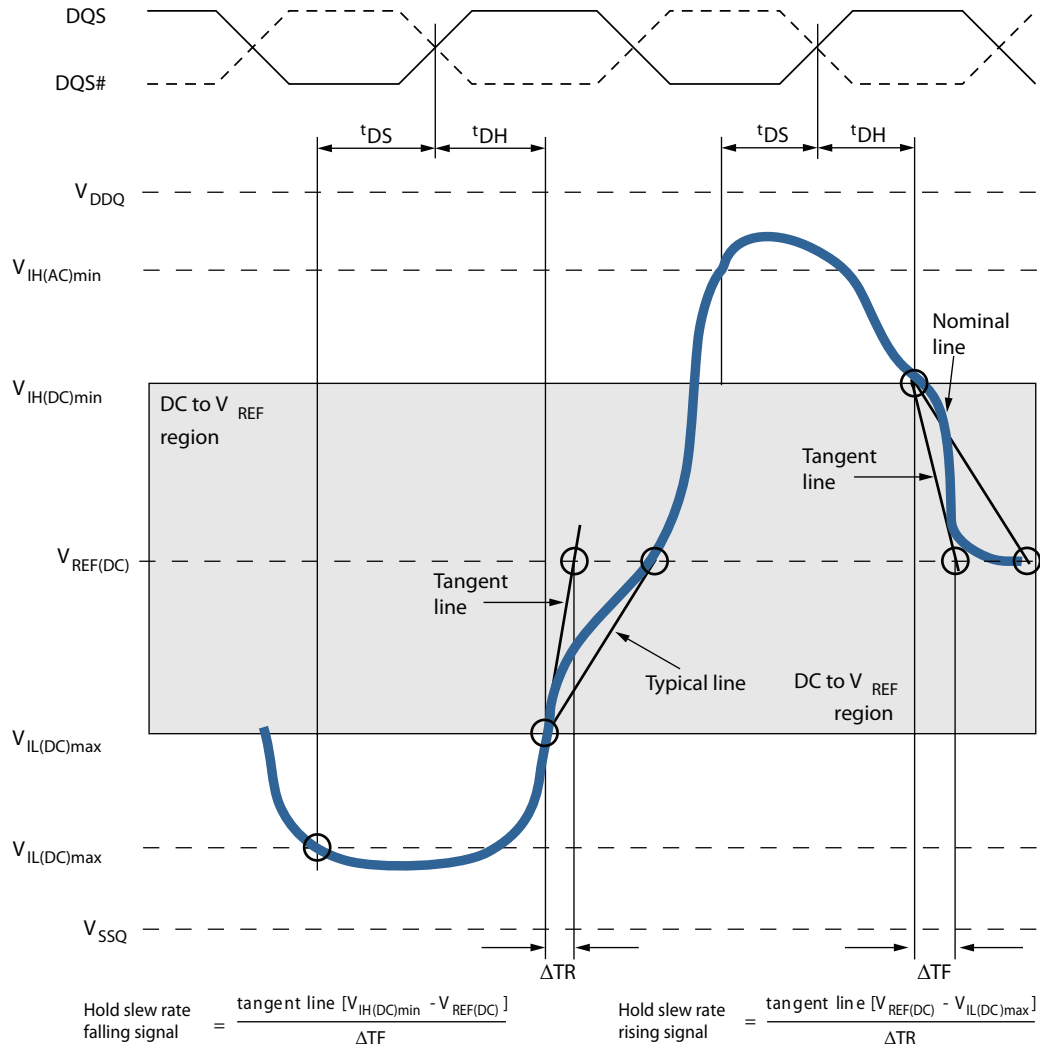
Typical Slew Rate – t_{IH} for CA and CS# Relative to Clock



Tangent Line: tIS for CA and /CS Relative to Clock



Tangent Line: tIH for CA and /CS Relative to Clock



Data Setup, Hold, and Slew Rate Derating

For all input signals (DQ, DM) calculate the total required setup time (tDS) and hold time (tDH) by adding the data sheet tDS(base) and tDH(base) values to the tDS and tDH derating values, respectively. Example: $tDS = tDS(\text{base}) + tDS$.

The typical tDS slew rate for a rising signal is defined as the slew rate between the last crossing of VREF(DC) and the first crossing of VIH(AC)min. The typical tDS slew rate for a falling signal is defined as the slew rate between the last crossing of VREF(DC) and the first crossing of VIL(AC)max.

If the actual signal is consistently earlier than the typical slew rate, the area shaded gray between the VREF(DC) region and the AC region, use the typical slew rate for the derating value. If the actual signal is later than the typical slew rate line anywhere between the shaded VREF(DC) region and the AC region, the slew rate of a tangent line to the actual signal from the AC level to the DC level is used for the derating value.

The typical tDH slew rate for a rising signal is defined as the slew rate between the last crossing of VIL(DC)max and the first crossing of VREF(DC). The typical tDH slew rate for a falling signal is defined as the slew rate between the last crossing of VIH(DC)min and the first crossing of VREF(DC).

If the actual signal is consistently later than the typical slew rate line between the shaded DC-level-to-VREF(DC) region, use the typical slew rate for the derating value. If the actual signal is earlier than the typical slew rate line anywhere between shaded DC to- VREF(DC) region, the slew rate of a tangent line to the actual signal from the DC level to the VREF(DC) level is used for the derating value.

For a valid transition, the input signal must remain above or below VIH/VIL(AC) for the specified time, tVAC. The total setup time for slow slew rates could be negative (that is, a valid input signal may not have reached VIH/VIL(AC) at the time of the rising clock transition). A valid input signal is still required to complete the transition and reach VIH/VIL(AC).

For slew rates between the values listed in the tables on the following page, the derating values can be obtained using linear interpolation. Slew rate values are not typically subject to production testing. They are verified by design and characterization.

Data Setup and Hold Base Values (>400 MHz, 1 V/ns slew rate)

| Parameter | Data Rate | | | | Reference |
|------------|-----------|-----|-----|-----|--|
| | 800 | 667 | 533 | 466 | |
| tDS (base) | 50 | 130 | 210 | 230 | $V_{IH}/V_{IL(AC)} = V_{REF(DC)} \pm 220\text{mV}$ |
| tDH (base) | 140 | 220 | 300 | 320 | $V_{IH}/V_{IL(DC)} = V_{REF(DC)} \pm 130\text{mV}$ |

Note: AC/DC referenced for 1 V/ns DQ, DM slew rate, and 2 V/ns differential DQS/DQS# slew rate.

Derating Values for AC/DC-based tDS/tDH (AC220) - tDS, tDH derating in [ps], AC/DC-based

| | | DQS, DQS# Differential Slew Rate | | | | | | | | | | | | | | | |
|--------------------------------|-----|----------------------------------|---------------|---------------|---------------|---------------|---------------|---------------|---------------|---------------|---------------|---------------|---------------|---------------|---------------|---------------|---------------|
| | | 4.0 V/ns | | 3.0 V/ns | | 2.0 V/ns | | 1.8 V/ns | | 1.6 V/ns | | 1.4 V/ns | | 1.2 V/ns | | 1.0 V/ns | |
| | | Δ^t DS | Δ^t DH | Δ^t DS | Δ^t DH | Δ^t DS | Δ^t DH | Δ^t DS | Δ^t DH | Δ^t DS | Δ^t DH | Δ^t DS | Δ^t DH | Δ^t DS | Δ^t DH | Δ^t DS | Δ^t DH |
| DQ, DM slew rate V/ns | 2.0 | 110 | 65 | 110 | 65 | 110 | 65 | | | | | | | | | | |
| | 1.5 | 74 | 43 | 73 | 43 | 73 | 43 | 89 | 59 | | | | | | | | |
| | 1.0 | 0 | 0 | 0 | 0 | 0 | 0 | 16 | 16 | 32 | 32 | | | | | | |
| | 0.9 | | | -3 | -5 | -3 | -5 | 13 | 11 | 29 | 27 | 45 | 43 | | | | |
| | 0.8 | | | | | -8 | -13 | 8 | 3 | 24 | 19 | 40 | 35 | 56 | 55 | | |
| | 0.7 | | | | | | | 2 | -6 | 18 | 10 | 34 | 26 | 50 | 46 | 66 | 78 |
| | 0.6 | | | | | | | | | 10 | -3 | 26 | 13 | 42 | 33 | 58 | 65 |
| | 0.5 | | | | | | | | | | | 4 | -4 | 20 | 16 | 36 | 48 |
| | 0.4 | | | | | | | | | | | | | -7 | 2 | 17 | 34 |

Note: Shaded cells are not supported.

Derating Values for AC/DC-based tDS/tDH (AC300) - tDS, tDH derating in [ps], AC/DC-based

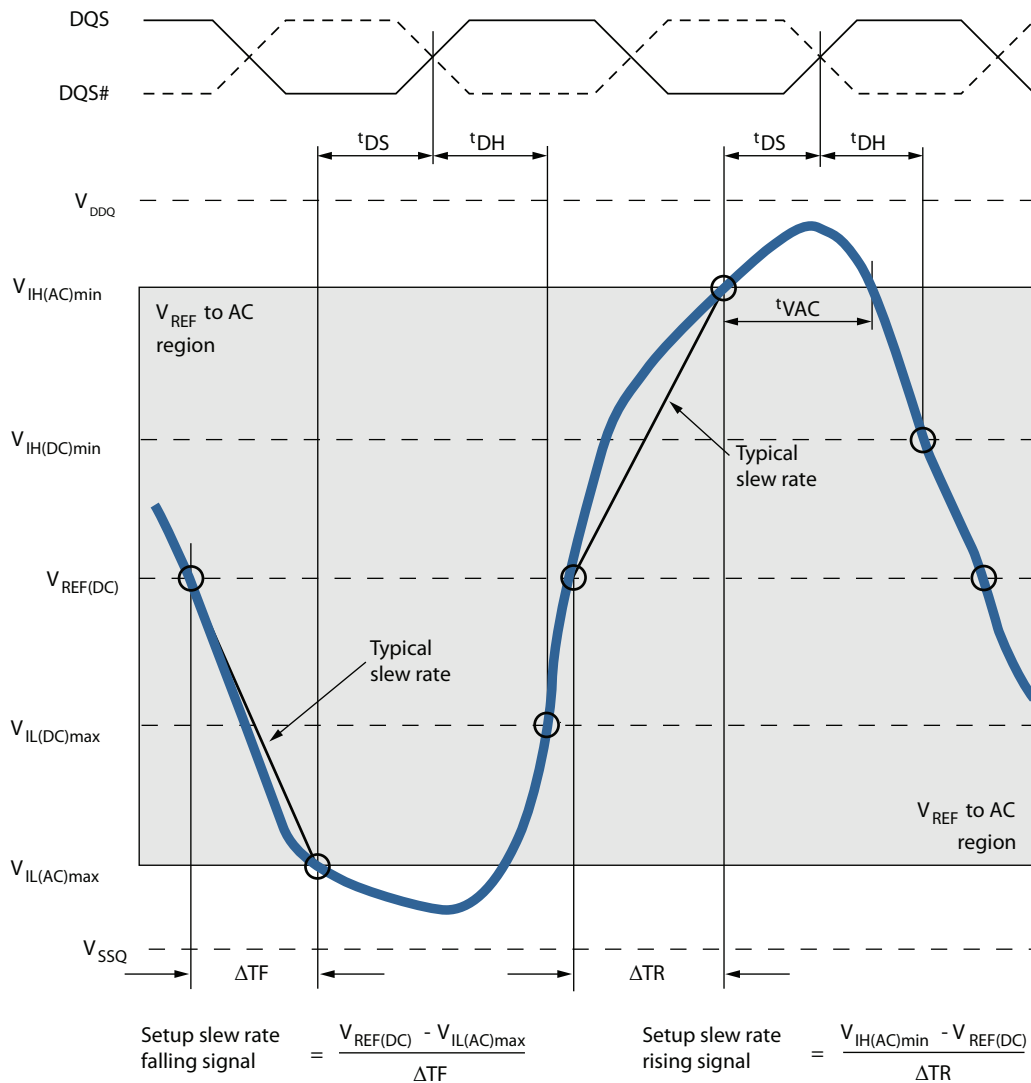
| | | DQS, DQS# Differential Slew Rate | | | | | | | | | | | | | | | |
|--------------------------------|-----|----------------------------------|---------------|---------------|---------------|---------------|---------------|---------------|---------------|---------------|---------------|---------------|---------------|---------------|---------------|---------------|---------------|
| | | 4.0 V/ns | | 3.0 V/ns | | 2.0 V/ns | | 1.8 V/ns | | 1.6 V/ns | | 1.4 V/ns | | 1.2 V/ns | | 1.0 V/ns | |
| | | Δ^t DS | Δ^t DH | Δ^t DS | Δ^t DH | Δ^t DS | Δ^t DH | Δ^t DS | Δ^t DH | Δ^t DS | Δ^t DH | Δ^t DS | Δ^t DH | Δ^t DS | Δ^t DH | Δ^t DS | Δ^t DH |
| DQ, DM slew rate V/ns | 2.0 | 150 | 100 | 150 | 100 | 150 | 100 | | | | | | | | | | |
| | 1.5 | 100 | 67 | 100 | 67 | 100 | 67 | 116 | 83 | | | | | | | | |
| | 1.0 | 0 | 0 | 0 | 0 | 0 | 0 | 16 | 16 | 32 | 32 | | | | | | |
| | 0.9 | | | -4 | -8 | -4 | -8 | 12 | 8 | 28 | 24 | 44 | 40 | | | | |
| | 0.8 | | | | | -12 | -20 | 4 | -4 | 20 | 12 | 36 | 28 | 52 | 48 | | |
| | 0.7 | | | | | | | -3 | -18 | 13 | -2 | 29 | 14 | 45 | 34 | 61 | 66 |
| | 0.6 | | | | | | | | | 2 | -21 | 18 | -5 | 34 | 15 | 50 | 47 |
| | 0.5 | | | | | | | | | | | -12 | -32 | 4 | -12 | 20 | 20 |
| | 0.4 | | | | | | | | | | | | 4 | -35 | -40 | -11 | -8 |

Note: Shaded cells are not supported.

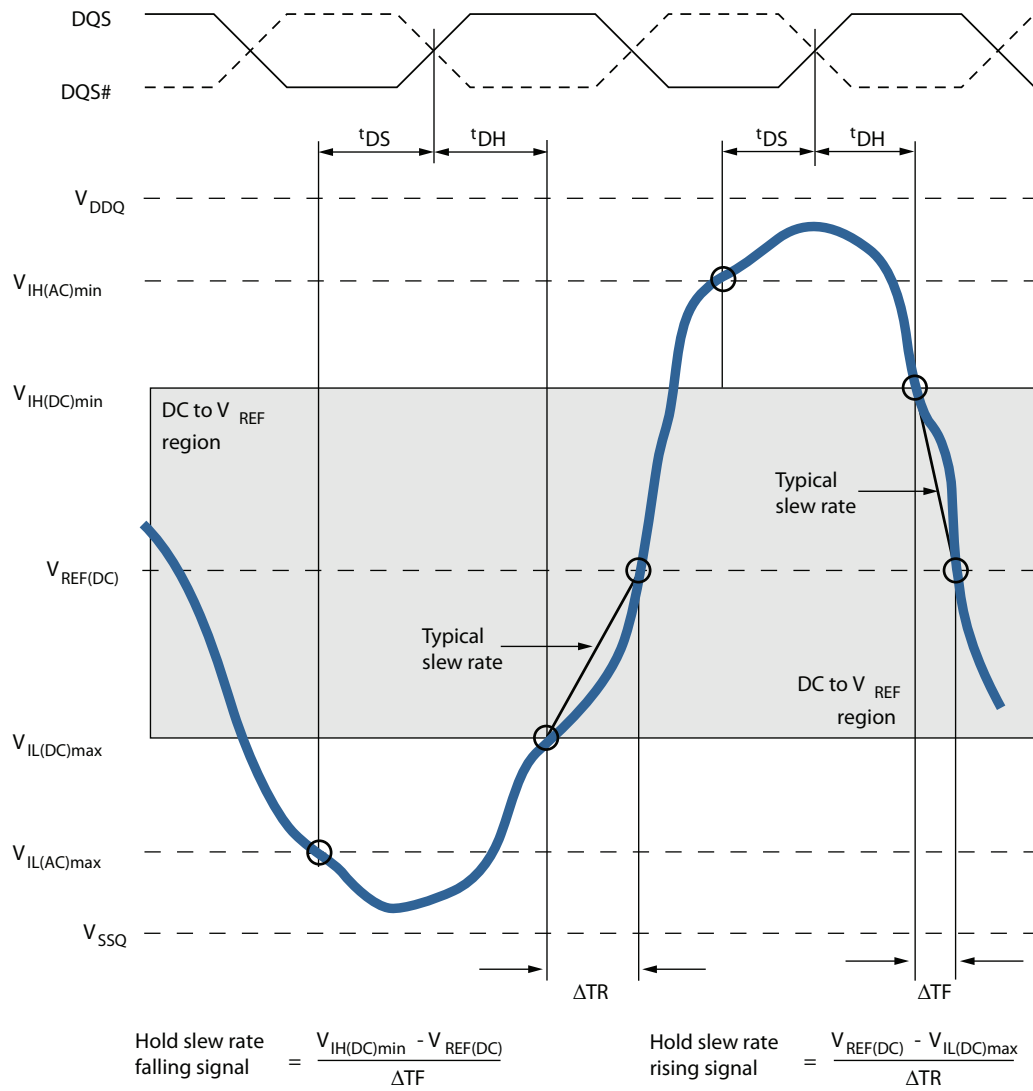
Required tVAC Above VIH(AC) or Below VIL(AC) for Valid Transition

| Slew Rate (V/ns) | tVAC at 300mV (ps) | | tVAC at 220mV (ps) | |
|------------------|--------------------|-----|--------------------|-----|
| | Min | Max | Min | Max |
| >2.0 | 75 | - | 175 | - |
| 2.0 | 57 | - | 170 | - |
| 1.5 | 50 | - | 167 | - |
| 1.0 | 38 | - | 163 | - |
| 0.9 | 34 | - | 162 | - |
| 0.8 | 29 | - | 161 | - |
| 0.7 | 22 | - | 159 | - |
| 0.6 | 13 | - | 155 | - |
| 0.5 | 0 | - | 150 | - |
| <0.5 | 0 | - | 150 | - |

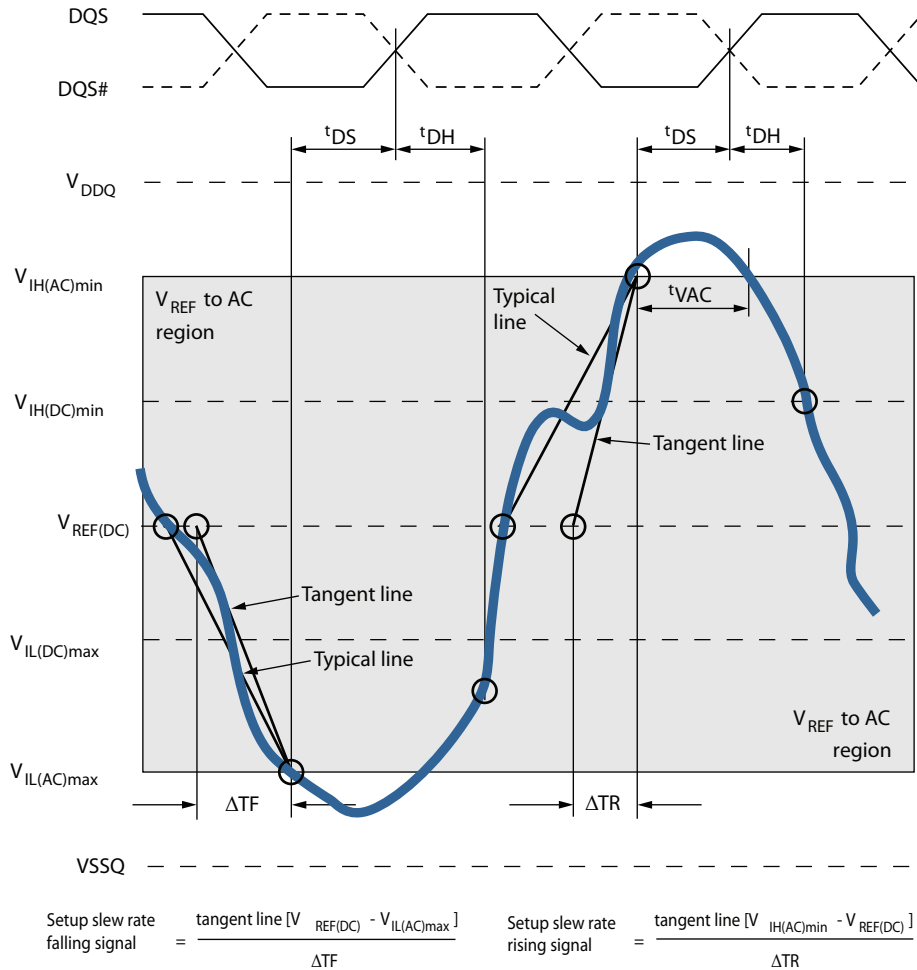
Typical Slew Rate and tVAC – tDS for DQ Relative to Strobe



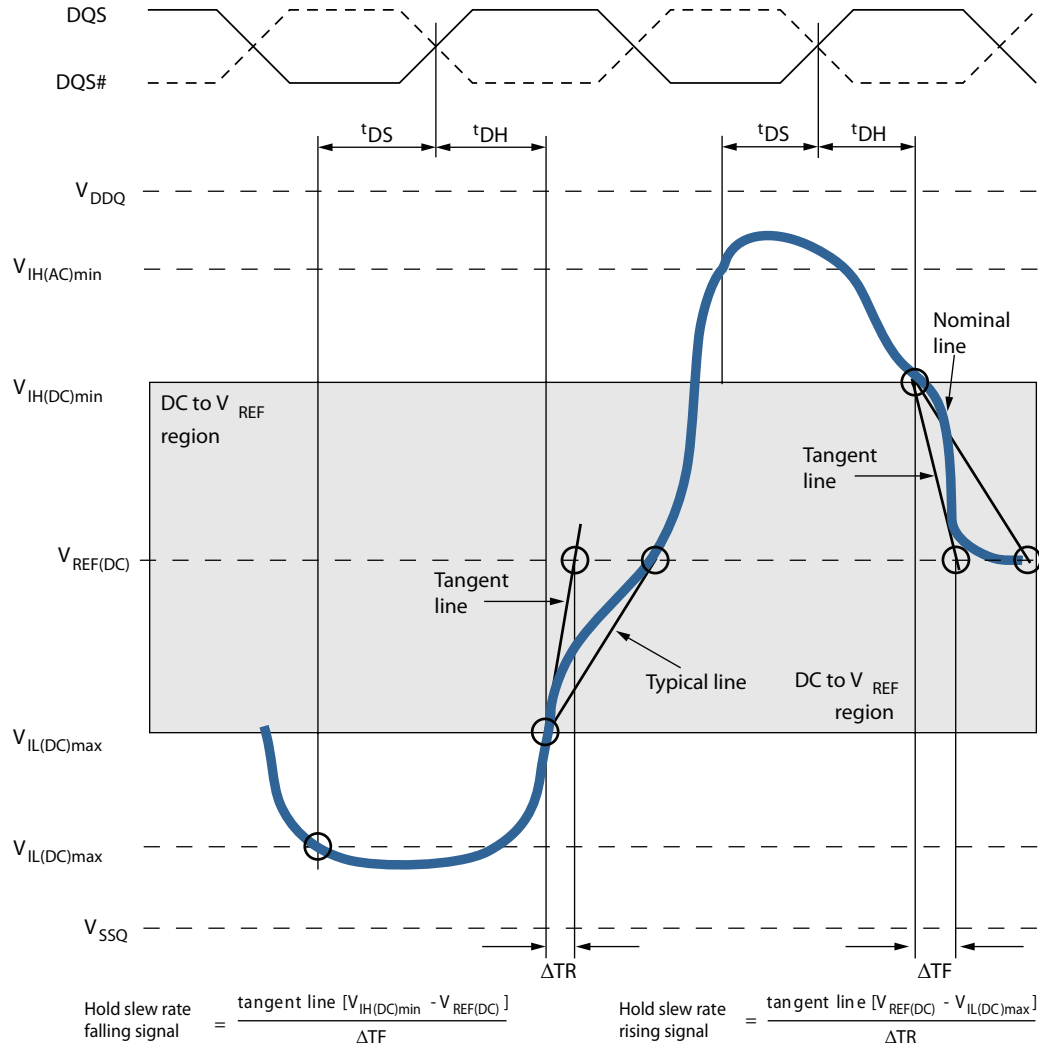
Typical Slew Rate: t_{DH} for DQ Relative to Strobe



Tangent Line: tDS for DQ with Respect to Strobe



Tangent Line: t_{DH} for DQ with Respect to Strobe



IDD Specifications and Conditions

The following definitions and conditions are used in the IDD measurement tables unless stated otherwise:

- LOW: $V_{IN} \leq V_{IL}(DC)_{max}$
- HIGH: $V_{IN} \geq V_{IH}(DC)_{min}$
- STABLE: Inputs are stable at a HIGH or LOW level
- SWITCHING: See Tables below

Switching for CA Input Signal

| | CK Rising/ CK#Falling | CK Falling/ CK# Rising | CK Rising/ CK#Falling | CK Falling/ CK# Rising | CK Rising/ CK#Falling | CK Falling/ CK# Rising | CK Rising/ CK#Falling | CK Falling/ CK# Rising |
|-------|--------------------------|---------------------------|--------------------------|---------------------------|--------------------------|---------------------------|--------------------------|---------------------------|
| Cycle | N | | N + 1 | | N + 2 | | N + 3 | |
| CS# | HIGH | | HIGH | | HIGH | | HIGH | |
| CA0 | H | L | L | L | L | H | H | H |
| CA1 | H | H | H | L | L | L | L | H |
| CA2 | H | L | L | L | L | H | H | H |
| CA3 | H | H | H | L | L | L | L | H |
| CA4 | H | L | L | L | L | H | H | H |
| CA5 | H | H | H | L | L | L | L | H |
| CA6 | H | L | L | L | L | H | H | H |
| CA7 | H | H | H | L | L | L | L | H |
| CA8 | H | L | L | L | L | H | H | H |
| CA9 | H | H | H | L | L | L | L | H |

Notes:

1. /CS must always be driven HIGH.
2. For each clock cycle, 50% of the CA bus is changing between HIGH and LOW.
3. The noted pattern (N, N + 1, N + 2, N + 3...) is used continuously during IDD measurement for IDD values that require switching on the CA bus

Switching for IDD4R

| Clock | CKE | CS# | Clock Cycle Number | Command | CA[2:0] | CA[9:3] | All DQ |
|---------|-----|-----|--------------------|--------------|---------|---------|--------|
| Rising | H | L | N | Read_Rising | HLH | LHLHLHL | L |
| Falling | H | L | N | Read_Falling | LLL | LLLLLLL | L |
| Rising | H | H | N + 1 | NOP | LLL | LLLLLLL | H |
| Falling | H | H | N + 1 | NOP | HLH | LHLLHLH | L |
| Rising | H | L | N + 2 | Read_Rising | HLH | LHLLHLH | H |
| Falling | H | L | N + 2 | Read_Falling | LLL | HHHHHHH | H |
| Rising | H | H | N + 3 | NOP | LLL | HHHHHHH | H |
| Falling | H | H | N + 3 | NOP | HLH | LHLHLHL | L |

Notes:

1. Data strobe (DQS) is changing between HIGH and LOW with every clock cycle.
2. The noted pattern (N, N + 1...) is used continuously during IDD measurement for IDD4R.

Switching for IDD4W

| Clock | CKE | CS# | Clock Cycle Number | Command | CA[2:0] | CA[9:3] | All DQ |
|---------|-----|-----|--------------------|---------------|---------|---------|--------|
| Rising | H | L | N | Write_Rising | LLH | LHLHLHL | L |
| Falling | H | L | N | Write_Falling | LLL | LLLLLLL | L |
| Rising | H | H | N + 1 | NOP | LLL | LLLLLLL | H |
| Falling | H | H | N + 1 | NOP | HLH | LHLLHLH | L |
| Rising | H | L | N + 2 | Write_Rising | LLH | LHLLHLH | H |
| Falling | H | L | N + 2 | Write_Falling | LLL | HHHHHHH | H |
| Rising | H | H | N + 3 | NOP | LLL | HHHHHHH | H |
| Falling | H | H | N + 3 | NOP | HLH | LHLHLHL | L |

Notes:

1. Data strobe (DQS) is changing between HIGH and LOW with every clock cycle.
2. Data masking (DM) must always be driven LOW.
3. The noted pattern (N, N + 1...) is used continuously during IDD measurement for IDD4R.

IDD Specification Parameters and Operating Conditions

| Parameter/Condition | Symbol | Power Supply | Notes |
|---|----------------|---------------------|-------|
| Operating one bank active-precharge current (SDRAM): $t_{CK} = t_{CKmin}$; $t_{RC} = t_{RCmin}$; CKE is HIGH; CS# is HIGH between valid commands; CA bus inputs are switching; Data bus inputs are stable | I_{DD01} | V_{DD1} | |
| | I_{DD02} | V_{DD2} | |
| | I_{DD0in} | V_{DDCA}, V_{DDQ} | 4 |
| Idle power-down standby current: $t_{CK} = t_{CKmin}$; CKE is LOW; CS# is HIGH; All banks are idle; CA bus inputs are switching; Data bus inputs are stable | I_{DD2P1} | V_{DD1} | |
| | I_{DD2P2} | V_{DD2} | |
| | $I_{DD2P,in}$ | V_{DDCA}, V_{DDQ} | 4 |
| Idle power-down standby current with clock stop: CK = LOW, CK# = HIGH; CKE is LOW; CS# is HIGH; All banks are idle; CA bus inputs are stable; Data bus inputs are stable | I_{DD2PS1} | V_{DD1} | |
| | I_{DD2PS2} | V_{DD2} | |
| | $I_{DD2PS,in}$ | V_{DDCA}, V_{DDQ} | 4 |
| Idle non-power-down standby current: $t_{CK} = t_{CKmin}$; CKE is HIGH; CS# is HIGH; All banks are idle; CA bus inputs are switching; Data bus inputs are stable | I_{DD2N1} | V_{DD1} | |
| | I_{DD2N2} | V_{DD2} | |
| | $I_{DD2N,in}$ | V_{DDCA}, V_{DDQ} | 4 |
| Idle non-power-down standby current with clock stopped: CK = LOW; CK# = HIGH; CKE is HIGH; CS# is HIGH; All banks are idle; CA bus inputs are stable; Data bus inputs are stable | I_{DD2NS1} | V_{DD1} | |
| | I_{DD2NS2} | V_{DD2} | |
| | $I_{DD2NS,in}$ | V_{DDCA}, V_{DDQ} | 4 |
| Active power-down standby current: $t_{CK} = t_{CKmin}$; CKE is LOW; CS# is HIGH; One bank is active; CA bus inputs are switching; Data bus inputs are stable | I_{DD3P1} | V_{DD1} | |
| | I_{DD3P2} | V_{DD2} | |
| | $I_{DD3P,in}$ | V_{DDCA}, V_{DDQ} | 4 |
| Active power-down standby current with clock stop: CK = LOW, CK# = HIGH; CKE is LOW; CS# is HIGH; One bank is active; CA bus inputs are stable; Data bus inputs are stable | I_{DD3PS1} | V_{DD1} | |
| | I_{DD3PS2} | V_{DD2} | |
| | $I_{DD3PS,in}$ | V_{DDCA}, V_{DDQ} | 4 |
| Active non-power-down standby current: $t_{CK} = t_{CKmin}$; CKE is HIGH; CS# is HIGH; One bank is active; CA bus inputs are switching; Data bus inputs are stable | I_{DD3N1} | V_{DD1} | |
| | I_{DD3N2} | V_{DD2} | |
| | $I_{DD3N,in}$ | V_{DDCA}, V_{DDQ} | 4 |
| Active non-power-down standby current with clock stopped: CK = LOW, CK# = HIGH; CKE is HIGH; CS# is HIGH; One bank is active; CA bus inputs are stable; Data bus inputs are stable | I_{DD3NS1} | V_{DD1} | |
| | I_{DD3NS2} | V_{DD2} | |
| | $I_{DD3NS,in}$ | V_{DDCA}, V_{DDQ} | 4 |
| Operating burst READ current: $t_{CK} = t_{CKmin}$; CS# is HIGH between valid commands; One bank is active; BL = 4; RL = RL (MIN); CA bus inputs are switching; 50% data change each burst transfer | I_{DD4R1} | V_{DD1} | |
| | I_{DD4R2} | V_{DD2} | |
| | $I_{DD4R,in}$ | V_{DDCA} | |
| | I_{DD4RQ} | V_{DDQ} | 5 |
| Operating burst WRITE current: $t_{CK} = t_{CKmin}$; CS# is HIGH between valid commands; One bank is active; BL = 4; WL = WLmin; CA bus inputs are switching; 50% data change each burst transfer | I_{DD4W1} | V_{DD1} | |
| | I_{DD4W2} | V_{DD2} | |
| | $I_{DD4W,in}$ | V_{DDCA}, V_{DDQ} | 4 |
| All-bank REFRESH burst current: $t_{CK} = t_{CKmin}$; CKE is HIGH between valid commands; $t_{RC} = t_{RFCabmin}$; Burst refresh; CA bus inputs are switching; Data bus inputs are stable | I_{DD51} | V_{DD1} | |
| | I_{DD52} | V_{DD2} | |
| | I_{DD5IN} | V_{DDCA}, V_{DDQ} | 4 |

| Parameter/Condition | Symbol | Power Supply | Notes |
|---|----------------|---------------------|---------|
| All-bank REFRESH average current: $t_{CK} = t_{CKmin}$; CKE is HIGH between valid commands; $t_{RC} = t_{REFI}$; CA bus inputs are switching; Data bus inputs are stable | I_{DD5AB1} | V_{DD1} | |
| | I_{DD5AB2} | V_{DD2} | |
| | $I_{DD5AB,in}$ | V_{DDCA}, V_{DDQ} | 4 |
| Per-bank REFRESH average current: $t_{CK} = t_{CKmin}$; CKE is HIGH between valid commands; $t_{RC} = t_{REFI}/8$; CA bus inputs are switching; Data bus inputs are stable | I_{DD5PB1} | V_{DD1} | |
| | I_{DD5PB2} | V_{DD2} | |
| | $I_{DD5PB,in}$ | V_{DDCA}, V_{DDQ} | 4 |
| Self refresh current ($-25^{\circ}C$ to $+85^{\circ}C$): $CK = LOW, CK\# = HIGH$; CKE is LOW; CA bus inputs are stable; Data bus inputs are stable; Maximum 1x self refresh rate | I_{DD61} | V_{DD1} | 6 |
| | I_{DD62} | V_{DD2} | 6 |
| | I_{DD6IN} | V_{DDCA}, V_{DDQ} | 4, 6 |
| Self refresh current ($+85^{\circ}C$ to $+105^{\circ}C$): $CK = LOW, CK\# = HIGH$; CKE is LOW; CA bus inputs are stable; Data bus inputs are stable | I_{DD6ET1} | V_{DD1} | 6, 7 |
| | I_{DD6ET2} | V_{DD2} | 6, 7 |
| | $I_{DD6ET,in}$ | V_{DDCA}, V_{DDQ} | 4, 6, 7 |
| Deep power-down current: $CK = LOW, CK\# = HIGH$; CKE is LOW; CA bus inputs are stable; Data bus inputs are stable | I_{DD81} | V_{DD1} | 7 |
| | I_{DD82} | V_{DD2} | 7 |
| | I_{DD8IN} | V_{DDCA}, V_{DDQ} | 4, 7 |

Notes:

1. Published IDD values are the maximum of the distribution of the arithmetic mean.
2. IDD current specifications are tested after the device is properly initialized.
3. The 1x self refresh rate is the rate at which the device is refreshed internally during self refresh, before going into the extended temperature range.
4. Measured currents are the summation of VDDQ and VDDCA.
5. Guaranteed by design with output reference load and $R_{ON} = 40$ ohm.
6. This is the general definition that applies to full-array SELF REFRESH).
7. IDD6ET and IDD8 are typical values, are sampled only, and are not tested.

IDD SPECIFICATIONS

$V_{DD2}, V_{DDQ}, V_{DDCA} = 1.14-1.30V; V_{DD1} = 1.70-1.95V$

| Parameter | Supply | Speed Grade | | Unit |
|----------------|----------------------|-------------|------|---------|
| | | -25 | -3 | |
| I_{DD01} | V_{DD1} | 40 | 40 | mA |
| I_{DD02} | V_{DD2} | 35 | 35 | |
| $I_{DD0,in}$ | $V_{DDCA} + V_{DDQ}$ | 10 | 10 | |
| I_{DD2P1} | V_{DD1} | 1000 | 1000 | μA |
| I_{DD2P2} | V_{DD2} | 500 | 500 | |
| $I_{DD2P,in}$ | $V_{DDCA} + V_{DDQ}$ | 50 | 50 | |
| I_{DD2PS1} | V_{DD1} | 500 | 500 | μA |
| I_{DD2PS2} | V_{DD2} | 500 | 500 | |
| $I_{DD2PS,in}$ | $V_{DDCA} + V_{DDQ}$ | 50 | 50 | |
| I_{DD2N1} | V_{DD1} | 1.5 | 1.5 | mA |
| I_{DD2N2} | V_{DD2} | 35 | 35 | mA |
| $I_{DD2N,in}$ | $V_{DDCA} + V_{DDQ}$ | 10 | 10 | |
| I_{DD2NS1} | V_{DD1} | 1.5 | 1.5 | |
| I_{DD2NS2} | V_{DD2} | 25 | 25 | mA |
| $I_{DD2NS,in}$ | $V_{DDCA} + V_{DDQ}$ | 10 | 10 | |
| I_{DD3P1} | V_{DD1} | 1.5 | 1.5 | |
| I_{DD3P2} | V_{DD2} | 8 | 8 | mA |
| $I_{DD3P,in}$ | $V_{DDCA} + V_{DDQ}$ | 100 | 100 | μA |
| I_{DD3PS1} | V_{DD1} | 1.5 | 1.5 | mA |
| I_{DD3PS2} | V_{DD2} | 8 | 8 | mA |
| $I_{DD3PS,in}$ | $V_{DDCA} + V_{DDQ}$ | 100 | 100 | μA |
| I_{DD3N1} | V_{DD1} | 5 | 5 | mA |
| I_{DD3N2} | V_{DD2} | 35 | 35 | mA |
| $I_{DD3N,in}$ | $V_{DDCA} + V_{DDQ}$ | 8 | 8 | |
| I_{DD3NS1} | V_{DD1} | 5 | 5 | |
| I_{DD3NS2} | V_{DD2} | 15 | 15 | mA |
| $I_{DD3NS,in}$ | $V_{DDCA} + V_{DDQ}$ | 8 | 8 | |
| I_{DD4R1} | V_{DD1} | 6 | 6 | |
| I_{DD4R2} | V_{DD2} | 230 | 200 | mA |
| $I_{DD4R,in}$ | V_{DDCA} | 10 | 10 | |
| I_{DD4W1} | V_{DD1} | 6 | 6 | |
| I_{DD4W2} | V_{DD2} | 120 | 90 | mA |
| $I_{DD4W,in}$ | $V_{DDCA} + V_{DDQ}$ | 25 | 25 | |
| I_{DD51} | V_{DD1} | 50 | 50 | |
| I_{DD52} | V_{DD2} | 90 | 90 | mA |
| $I_{DD5,in}$ | $V_{DDCA} + V_{DDQ}$ | 6 | 6 | |

IDD SPECIFICATIONS (Continued)

$V_{DD2}, V_{DDQ}, V_{DDCA} = 1.14\text{--}1.30\text{V}; V_{DD1} = 1.70\text{--}1.95\text{V}$

| Parameter | Supply | Speed Grade | | Unit |
|----------------|----------------------|-------------|------|---------------|
| | | -25 | -3 | |
| I_{DD5PB1} | V_{DD1} | 5 | 5 | mA |
| I_{DD5PB2} | V_{DD2} | 30 | 30 | |
| $I_{DD5PB,in}$ | $V_{DDCA} + V_{DDQ}$ | 10 | 10 | |
| I_{DD5AB1} | V_{DD1} | 5 | 5 | mA |
| I_{DD5AB2} | V_{DD2} | 30 | 30 | |
| $I_{DD5AB,in}$ | $V_{DDCA} + V_{DDQ}$ | 10 | 10 | |
| I_{DD61} | V_{DD1} | 1500 | 1500 | μA |
| I_{DD62} | V_{DD2} | 1000 | 1000 | |
| $I_{DD6,in}$ | $V_{DDCA} + V_{DDQ}$ | 50 | 50 | |
| I_{DD81} | V_{DD1} | 50 | 50 | μA |
| I_{DD82} | V_{DD2} | 45 | 45 | |
| $I_{DD8,in}$ | $V_{DDCA} + V_{DDQ}$ | 20 | 20 | |

IDD6 Partial-Array Self Refresh Current

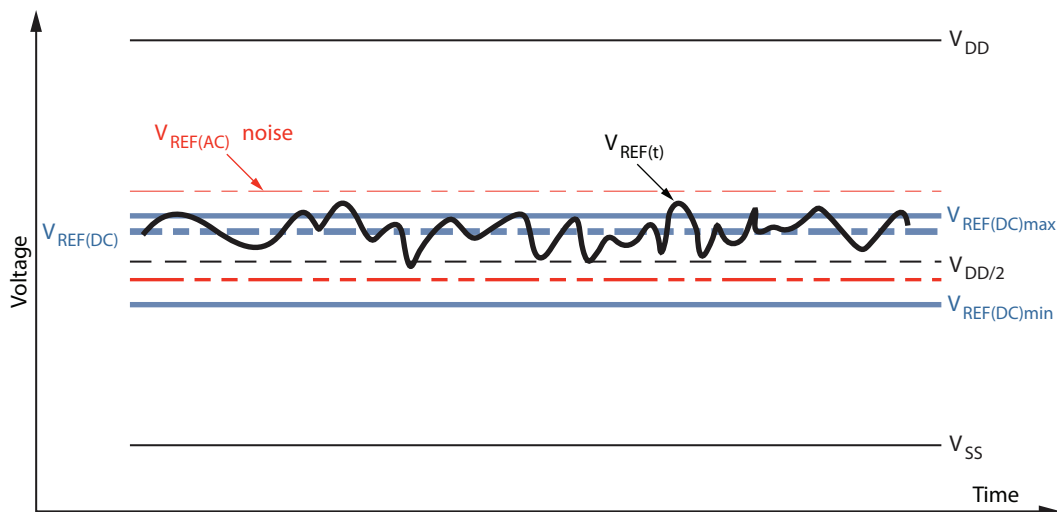
$V_{DD2}, V_{DDQ}, V_{DDCA} = 1.14\text{--}1.30\text{V}; V_{DD1} = 1.70\text{--}1.95\text{V}$

| PASR | Supply | Value | Unit |
|------------|-----------|-------|---------------|
| Full array | V_{DD1} | 1500 | μA |
| | V_{DD2} | 1000 | |
| | V_{DDi} | 50 | |
| 1/2 array | V_{DD1} | 1200 | |
| | V_{DD2} | 800 | |
| | V_{DDi} | 50 | |
| 1/4 array | V_{DD1} | 1000 | |
| | V_{DD2} | 600 | |
| | V_{DDi} | 50 | |
| 1/8 array | V_{DD1} | 800 | |
| | V_{DD2} | 400 | |
| | V_{DDi} | 50 | |

VREF Tolerances

The DC tolerance limits and AC noise limits for the reference voltages VREFCA and VREFDQ are illustrated below. This figure shows a valid reference voltage $V_{REF}(t)$ as a function of time. VDD is used in place of VDDCA for VREFCA, and VDDQ for VREFDQ. $V_{REF}(DC)$ is the linear average of $V_{REF}(t)$ over a very long period of time (for example, 1 second) and is specified as a fraction of the linear average of VDDQ or VDDCA, also over a very long period of time (for example, 1 second). This average must meet the MIN/MAX requirements in Table of Single-Ended AC and DC Input Levels for CA and CS_n Inputs. Additionally, $V_{REF}(t)$ can temporarily deviate from $V_{REF}(DC)$ by no more than $\pm 1\%$ VDD. $V_{REF}(t)$ cannot track noise on VDDQ or VDDCA if doing so would force VREF outside these specifications.

VREF DC Tolerance and VREF AC Noise Limits



The voltage levels for setup and hold time measurements $V_{IH}(AC)$, $V_{IH}(DC)$, $V_{IL}(AC)$, and $V_{IL}(DC)$ are dependent on VREF.

VREF DC variations affect the absolute voltage a signal must reach to achieve a valid HIGH or LOW, as well as the time from which setup and hold times are measured. When VREF is outside the specified levels, devices will function correctly with appropriate timing deratings as long as:

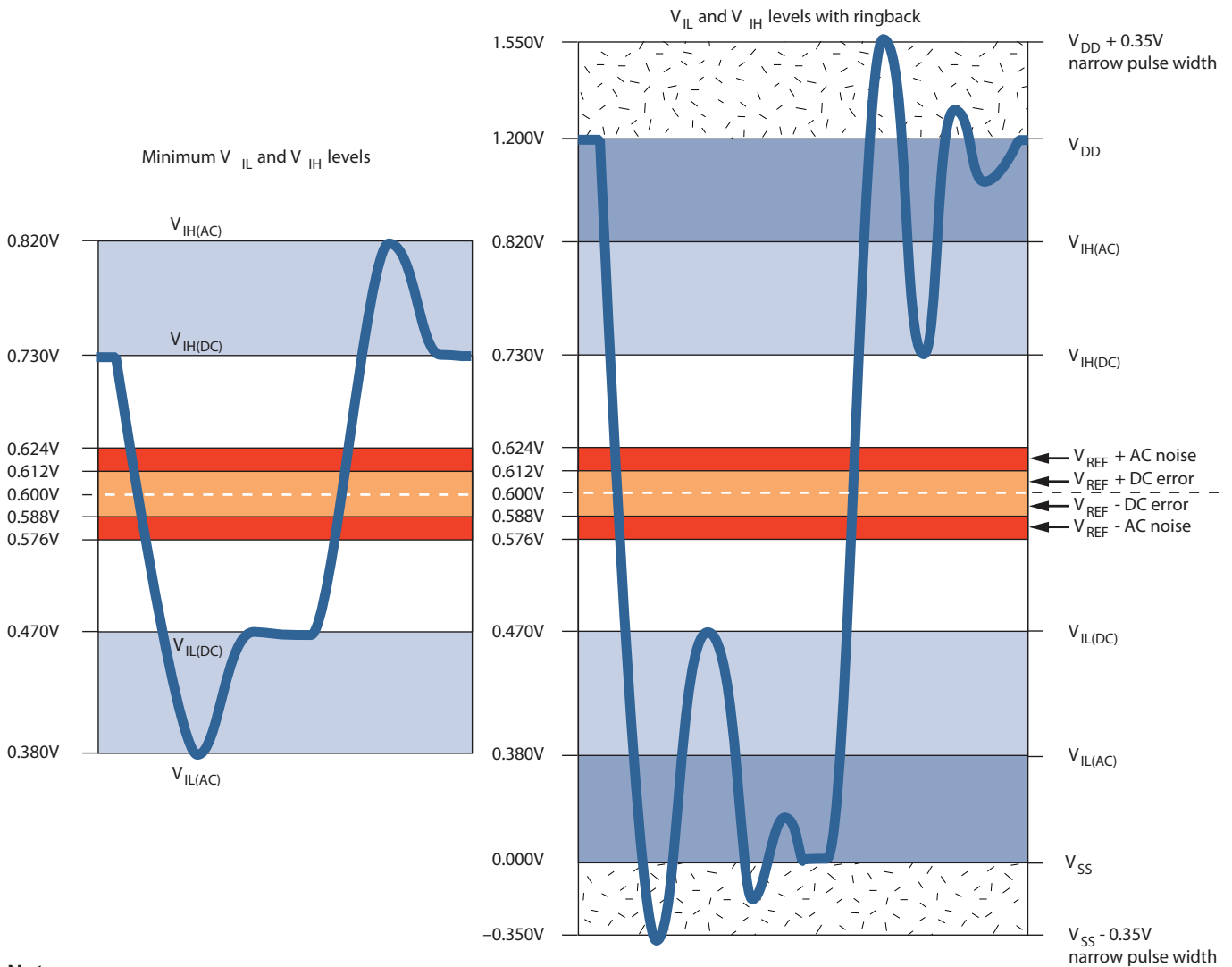
- VREF is maintained between $0.44 \times V_{DDQ}$ (or VDDCA) and $0.56 \times V_{DDQ}$ (or VDDCA), and
- the controller achieves the required single-ended AC and DC input levels from instantaneous VREF.

System timing and voltage budgets must account for VREF deviations outside this range.

The setup/hold specification and derating values must include time and voltage associated with VREF AC noise. Timing and voltage effects due to AC noise on VREF up to the specified limit ($\pm 1\%$ VDD) are included in LPDDR2 timings and their associated deratings.

Input Signal

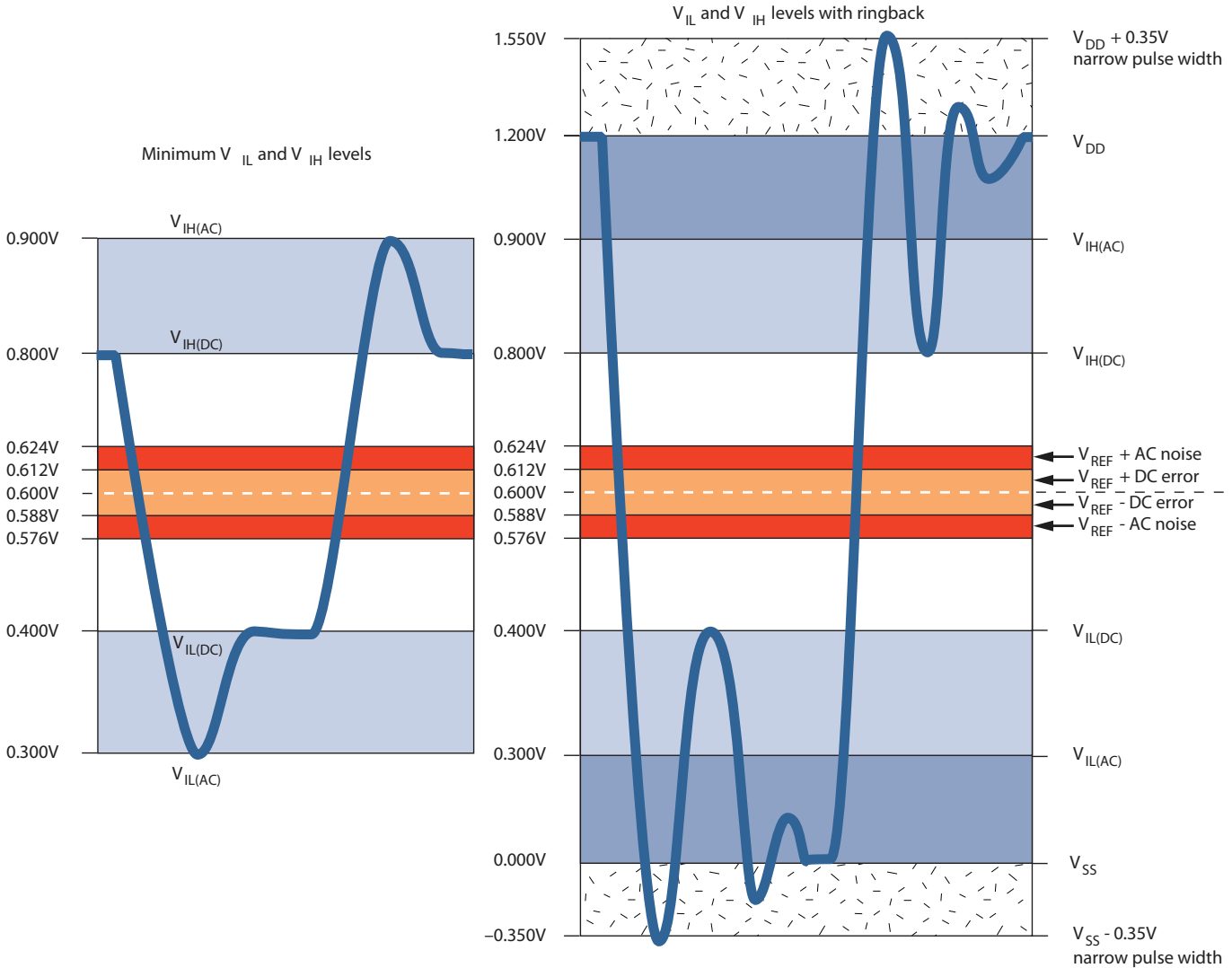
LPDDR2 466-800 Input Signal



Notes:

1. Numbers reflect typical values.
2. For CA[9:0], CK, CK#, and CS# VDD stands for VDDCA. For DQ, DM, DQS, and DQS#, VDD stands for VDDQ.
3. For CA[9:0], CK, CK#, and CS# VSS stands for VSSCA. For DQ, DM, DQS, and DQS#, VSS stands for VSSQ.

LPDDR2-200 to LPDDR2-400 Input Signal

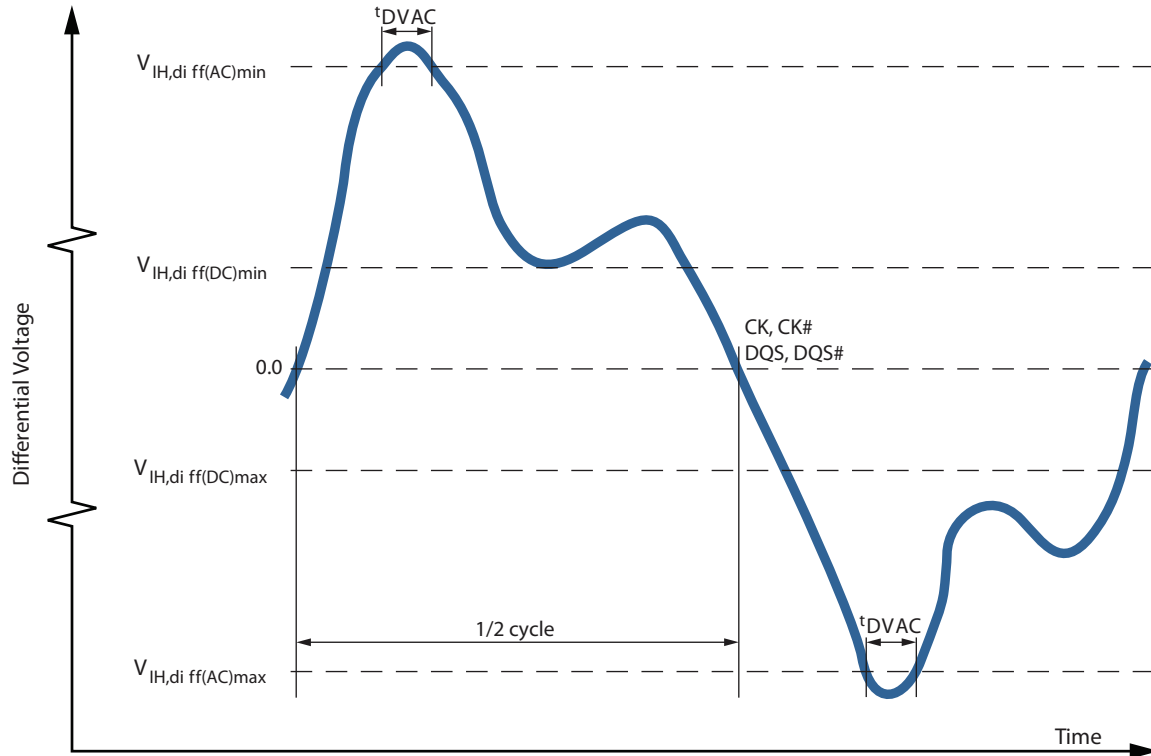


Notes:

1. Numbers reflect typical values.
2. For CA[9:0], CK, CK#, and CS# VDD stands for VDDCA. For DQ, DM, DQS, and DQS#, VDD stands for VDDQ.
3. For CA[9:0], CK, CK#, and CS# VSS stands for VSSCA. For DQ, DM, DQS, and DQS#, VSS stands for VSSQ.

AC and DC Logic Input Measurement Levels for Differential Signals

Differential AC Swing Time and tDVAC



Differential AC and DC Input Levels

| Symbol | Parameter | LPDDR2-800 to LPDDR2-466 | | LPDDR2-400 to LPDDR2-200 | | Unit | Notes |
|-------------------|----------------------------|-----------------------------------|-----------------------------------|-----------------------------------|-----------------------------------|------|-------|
| | | Min | Max | Min | Max | | |
| $V_{IH,diff(AC)}$ | Differential input HIGH AC | $2 \times (V_{IH(AC)} - V_{REF})$ | Note 1 | $2 \times (V_{IH(AC)} - V_{REF})$ | Note 1 | V | 2 |
| $V_{IL,diff(AC)}$ | Differential input LOW AC | Note 1 | $2 \times (V_{REF} - V_{IL(AC)})$ | Note 1 | $2 \times (V_{REF} - V_{IL(AC)})$ | V | 2 |
| $V_{IH,diff(DC)}$ | Differential input HIGH | $2 \times (V_{IH(DC)} - V_{REF})$ | Note 1 | $2 \times (V_{IH(DC)} - V_{REF})$ | Note 1 | V | 3 |
| $V_{IL,diff(DC)}$ | Differential input LOW | Note 1 | $2 \times (V_{REF} - V_{IL(DC)})$ | Note 1 | $2 \times (V_{REF} - V_{IL(DC)})$ | V | 3 |

Notes:

- These values are not defined, however the single-ended signals CK, CK#, DQS, and DQS# must be within the respective limits ($V_{IH(DC)max}$, $V_{IL(DC)min}$) for single-ended signals and must comply with the specified limitations for overshoot and undershoot.
- For CK and CK#, use $V_{IH}/V_{IL(AC)}$ of CA and V_{REFCA} ; for DQS and DQS#, use $V_{IH}/V_{IL(AC)}$ of DQ and V_{REFDQ} . If a reduced AC HIGH or AC LOW is used for a signal group, the reduced voltage level also applies.
- Used to define a differential signal slew rate.

CK/CK# and DQS/DQS# Time Requirements Before Ringback (tDVAC)

| Slew Rate (V/ns) | t_{DVAC} (ps) at $V_{IH}/V_{ILdiff(AC)} = 440mV$ | t_{DVAC} (ps) at $V_{IH}/V_{ILdiff(AC)} = 600mV$ |
|------------------|--|--|
| | Min | Min |
| > 4.0 | 175 | 75 |
| 4.0 | 170 | 57 |
| 3.0 | 167 | 50 |
| 2.0 | 163 | 38 |
| 1.8 | 162 | 34 |
| 1.6 | 161 | 29 |
| 1.4 | 159 | 22 |
| 1.2 | 155 | 13 |
| 1.0 | 150 | 0 |
| < 1.0 | 150 | 0 |

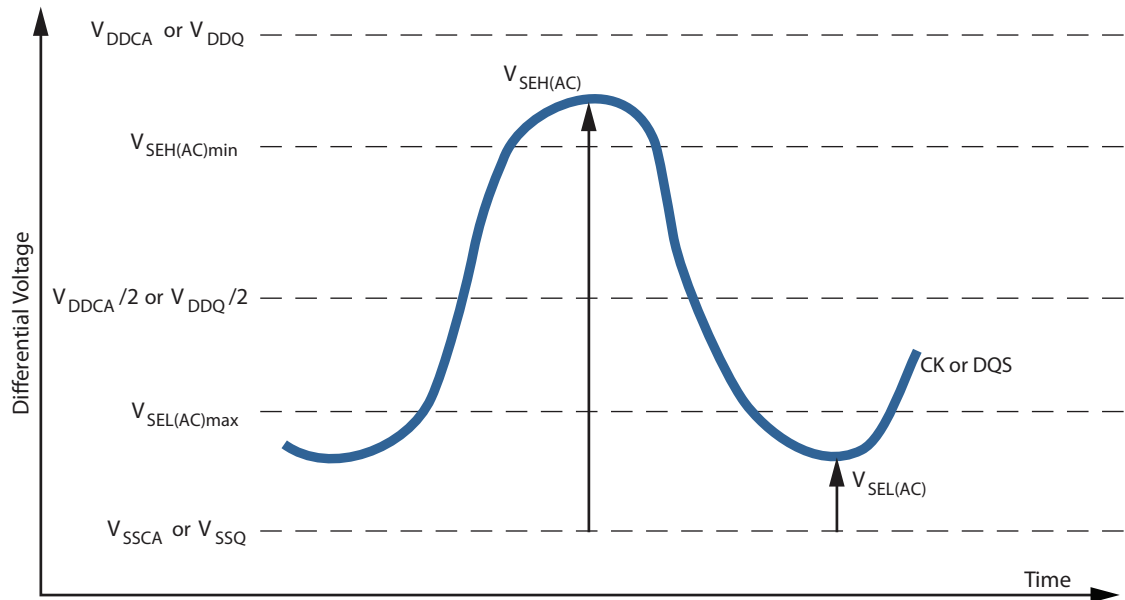
Single-Ended Requirements for Differential Signals

Each individual component of a differential signal (CK, CK#, DQS, and DQS#) must also comply with certain requirements for single-ended signals.

CK and CK# must meet VSEH(AC)min/VSEL(AC)max in every half cycle. DQS, DQS# must meet VSEH(AC)min/VSEL(AC)max in every half cycle preceding and following a valid transition.

The applicable AC levels for CA and DQ differ by speed bin.

Single-Ended Requirements for Differential Signals



Note that while CA and DQ signal requirements are referenced to VREF, the single-ended components of differential signals also have a requirement with respect to VDDQ/2 for DQS, and VD-DCA/2 for CK.

The transition of single-ended signals through the AC levels is used to measure setup time. For single-ended components of differential signals, the requirement to reach VSEL(AC)max or VSEH(AC)min has no bearing on timing. This requirement does, however, add a restriction on the common mode characteristics of these signals.

Single-Ended Levels for CK, CK#, DQS, DQS#

| Symbol | Parameter | LPDDR2-800 to LPDDR2-466 | | LPDDR2-400 to LPDDR2-200 | | Unit | Notes |
|----------------------|-------------------------------------|--------------------------------|--------------------------------|--------------------------------|--------------------------------|------|-------|
| | | Min | Max | Min | Max | | |
| V _{SEH(AC)} | Single-ended HIGH level for strobes | (V _{DDQ} /2) + 0.220 | Note 1 | (V _{DDQ} /2) + 0.300 | Note 1 | V | 2, 3 |
| | Single-ended HIGH level for CK, CK# | (V _{DDCA} /2) + 0.220 | Note 1 | (V _{DDCA} /2) + 0.300 | Note 1 | V | 2, 3 |
| V _{SEL(AC)} | Single-ended LOW level for strobes | Note 1 | (V _{DDQ} /2) - 0.220 | Note 1 | (V _{DDQ} /2) + 0.300 | V | 2, 3 |
| | Single-ended LOW level for CK, CK# | Note 1 | (V _{DDCA} /2) - 0.220 | Note 1 | (V _{DDCA} /2) + 0.300 | V | 2, 3 |

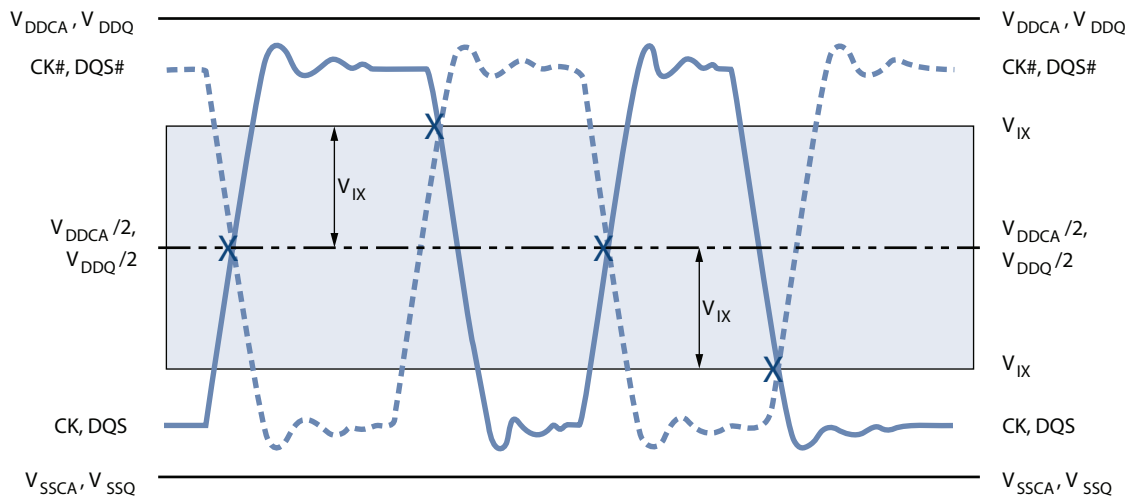
Notes:

1. These values are not defined, however the single-ended signals CK, CK#, DQS, and DQS# must be within the respective limits (VIH(DC)max, VIL(DC)min) for single-ended signals and must comply with the specified limitations for overshoot and undershoot.
2. For CK and CK#, use VIH/VIL(AC) of CA and VREFCA; for DQS and DQS#, use VIH/VIL(AC) of DQ and VREFDQ. If a reduced AC HIGH or AC LOW is used for a signal group, the reduced voltage level also applies.
3. Used to define a differential signal slew rate.

Differential Input Crosspoint Voltage

To ensure tight setup and hold times as well as output skew parameters with respect to clock and strobe, each crosspoint voltage of differential input signals (CK, CK#, DQS, and DQS#) must meet the specifications in the table "Single-Ended Levels" (page 124). The differential input crosspoint voltage (V_{IX}) is measured from the actual crosspoint of the true signal and complement to the mid-level between V_{DDCA} and V_{SS} .

VIX Definition



Crosspoint Voltage for Differential Input Signals (CK, CK#, DQS, DQS#)

| Symbol | Parameter | LPDDR2-800 to LPDDR2-200 | | Unit | Notes |
|----------------|---|--------------------------|-----|------|-------|
| | | Min | Max | | |
| $V_{IXCA(AC)}$ | Differential input crosspoint voltage relative to $V_{DDCA}/2$ for CK and CK# | -120 | 120 | mV | 1, 2 |
| $V_{IXDQ(AC)}$ | Differential input crosspoint voltage relative to $V_{DDQ}/2$ for DQS and DQ# | -120 | 120 | mV | 1, 2 |

Notes:

1. The typical value of $V_{IX(AC)}$ is expected to be about $0.5 \times V_{DD}$ of the transmitting device, and it is expected to track variations in V_{DD} . $V_{IX(AC)}$ indicates the voltage at which differential input signals must cross.
2. For CK and CK#, $V_{REF} = V_{REFCA}(DC)$. For DQS and DQS#, $V_{REF} = V_{REFDQ}(DC)$.

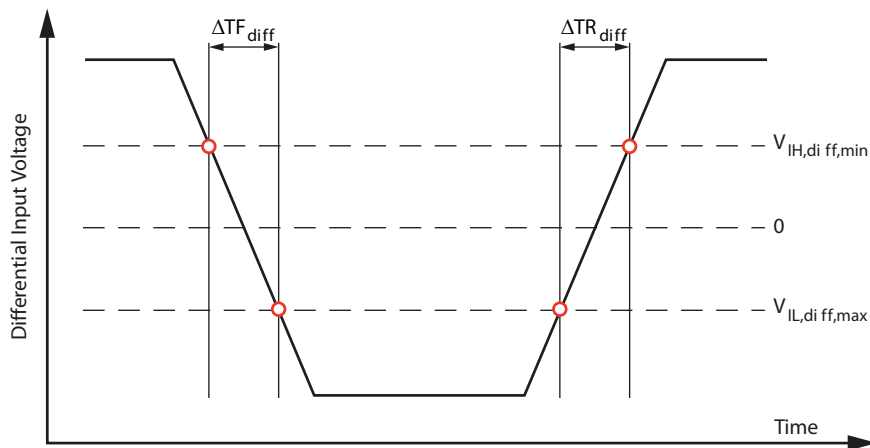
Input Slew Rate

Differential Input Slew Rate Definition

| Description | Measured ¹ | | Defined by |
|---|-----------------------|-------------------|--|
| | From | To | |
| Differential input slew rate for rising edge (CK/CK# and DQS/DQS#) | $V_{IL,diff,max}$ | $V_{IH,diff,min}$ | $[V_{IH,diff,min} - V_{IL,diff,max}] / \Delta TR_{diff}$ |
| Differential input slew rate for falling edge (CK/CK# and DQS/DQS#) | $V_{IH,diff,min}$ | $V_{IL,diff,max}$ | $[V_{IH,diff,min} - V_{IL,diff,max}] / \Delta TF_{diff}$ |

Note: The differential signals (CK/CK# and DQS/DQS#) must be linear between these thresholds.

Differential Input Slew Rate Definition for CK, CK#, DQS, and DQS#



Output Characteristics and Operating Conditions

Single-Ended AC and DC Output Levels

| Symbol | Parameter | | Value | Unit | Notes |
|--------------|--|-----|----------------------|---------|-------|
| $V_{OH(AC)}$ | AC output HIGH measurement level (for output slew rate) | | $V_{REF} + 0.12$ | V | |
| $V_{OL(AC)}$ | AC output LOW measurement level (for output slew rate) | | $V_{REF} - 0.12$ | V | |
| $V_{OH(DC)}$ | DC output HIGH measurement level (for I-V curve linearity) | | $0.9 \times V_{DDQ}$ | V | 1 |
| $V_{OL(DC)}$ | DC output LOW measurement level (for I-V curve linearity) | | $0.1 \times V_{DDQ}$ | V | 2 |
| I_{OZ} | Output leakage current (DQ, DM, DQS, DQS#); DQ, DQS, DQS# are disabled; $0V \leq V_{OUT} \leq V_{DDQ}$ | MIN | -5 | μA | |
| | | MAX | +5 | μA | |
| MMpupd | Delta output impedance between pull-up and pull-down for DQ/DM | MIN | -15 | % | |
| | | MAX | +15 | % | |

Notes:

1. $I_{OH} = -0.1mA$.
2. $I_{OL} = 0.1mA$.

Differential AC and DC Output Levels

| Symbol | Parameter | Value | Unit |
|------------------|---|------------------------|------|
| $V_{OHdiff(AC)}$ | AC differential output HIGH measurement level (for output SR) | $+ 0.2 \times V_{DDQ}$ | V |
| $V_{OLdiff(AC)}$ | AC differential output LOW measurement level (for output SR) | $- 0.2 \times V_{DDQ}$ | V |

Single-Ended Output Slew Rate

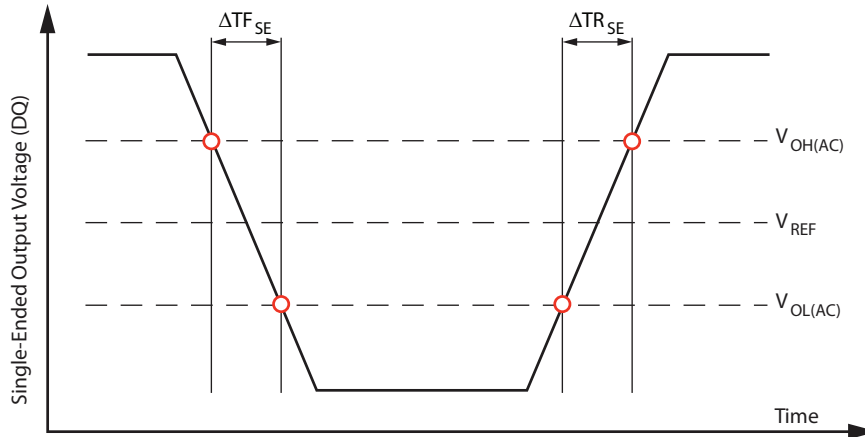
With the reference load for timing measurements, the output slew rate for falling and rising edges is defined and measured between $V_{OL(AC)}$ and $V_{OH(AC)}$ for single-ended signals.

Differential Input Slew Rate Definition

| Description | Measured | | Defined by |
|--|--------------|--------------|--|
| | From | To | |
| Single-ended output slew rate for rising edge | $V_{OL(AC)}$ | $V_{OH(AC)}$ | $[V_{OH(AC)} - V_{OL(AC)}] / \Delta TR_{SE}$ |
| Single-ended output slew rate for falling edge | $V_{OH(AC)}$ | $V_{OL(AC)}$ | $[V_{OH(AC)} - V_{OL(AC)}] / \Delta TF_{SE}$ |

Note: Output slew rate is verified by design and characterization and may not be subject to production testing.

Single-Ended Output Slew Rate Definition



Single-Ended Output Slew Rate

| Parameter | Symbol | Value | | Unit |
|--|-------------------|-------|-----|------|
| | | Min | Max | |
| Single-ended output slew rate (output impedance = 40 $\Omega \pm 30\%$) | SRQ _{SE} | 1.5 | 3.5 | V/ns |
| Single-ended output slew rate (output impedance = 60 $\Omega \pm 30\%$) | SRQ _{SE} | 1.0 | 2.5 | V/ns |
| Output slew-rate-matching ratio (pull-up to pull-down) | | 0.7 | 1.4 | - |

Notes:

1. Definitions: SR = slew rate; Q = output (similar to DQ = data-in, data-out); SE = singleended signals
2. Measured with output reference load.
3. The ratio of pull-up to pull-down slew rate is specified for the same temperature and voltage over the entire temperature and voltage range. For a given output, the ratio represents the maximum difference between pull-up and pull-down drivers due to process variation.
4. The output slew rate for falling and rising edges is defined and measured between VOL(AC) and VOH(AC).
5. Slew rates are measured under typical simultaneous switching output (SSO) conditions, with one-half of DQ signals per data byte driving HIGH and one-half of DQ signals per data byte driving LOW.

Differential Output Slew Rate

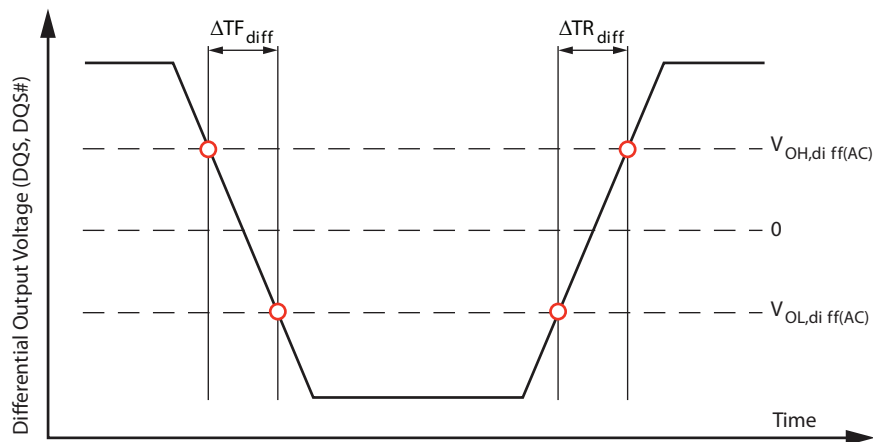
With the reference load for timing measurements, the output slew rate for falling and rising edges is defined and measured between VOL,diff(AC) and VOH,diff(AC) for differential signals.

Differential Output Slew Rate Definition

| Parameter | Symbol | Value | | Unit |
|--|---------------------|-------|-----|------|
| | | Min | Max | |
| Differential output slew rate (output impedance = 40 $\Omega \pm 30\%$) | SRQ _{diff} | 3.0 | 7.0 | V/ns |

Note: Output slew rate is verified by design and characterization and may not be subject to production testing.

Differential Output Slew Rate Definition



| Parameter | Symbol | Value | | Unit |
|--|---------------------|-------|-----|------|
| | | Min | Max | |
| Differential output slew rate (output impedance = 40 $\Omega \pm 30\%$) | SRQ _{diff} | 3.0 | 7.0 | V/ns |
| Differential output slew rate (output impedance = 60 $\Omega \pm 30\%$) | SRQ _{diff} | 2.0 | 5.0 | V/ns |

Notes:

1. Definitions: SR = slew rate; Q = output (similar to DQ = data-in, data-out); SE = singleended signals.
2. Measured with output reference load.
3. The output slew rate for falling and rising edges is defined and measured between VOL(AC) and VOH(AC).
4. Slew rates are measured under typical simultaneous switching output (SSO) conditions, with one-half of DQ signals per data byte driving HIGH and one-half of DQ signals per data byte driving LOW.

AC Overshoot/Undershoot Specification

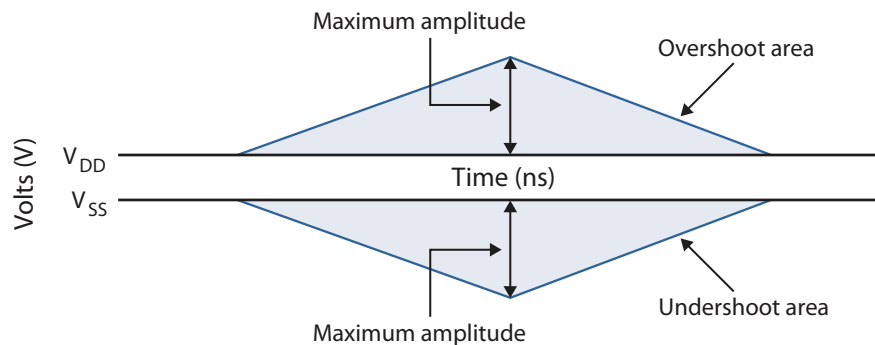
Applies for CA[9:0], CS#, CKE, CK, CK#, DQ, DQS, DQS#, DM

| Parameter | 800 | 667 | 533 | 400 | 333 | Unit |
|---|------|------|------|------|------|------|
| Maximum peak amplitude provided for overshoot area | 0.35 | 0.35 | 0.35 | 0.35 | 0.35 | V |
| Maximum peak amplitude provided for undershoot area | 0.35 | 0.35 | 0.35 | 0.35 | 0.35 | V |
| Maximum area above V_{DD} ¹ | 0.20 | 0.24 | 0.30 | 0.40 | 0.48 | V/ns |
| Maximum area below V_{SS} ² | 0.20 | 0.24 | 0.30 | 0.40 | 0.48 | V/ns |

Notes:

1. VDD stands for VDDCA for CA[9:0], CK, CK#, CS#, and CKE. VDD stands for VDDQ for DQ, DM, DQS, and DQS#.
2. VSS stands for VSSCA for CA[9:0], CK, CK#, CS#, and CKE. VSS stands for VSSQ for DQ, DM, DQS, and DQS#.

Overshoot and Undershoot Definition



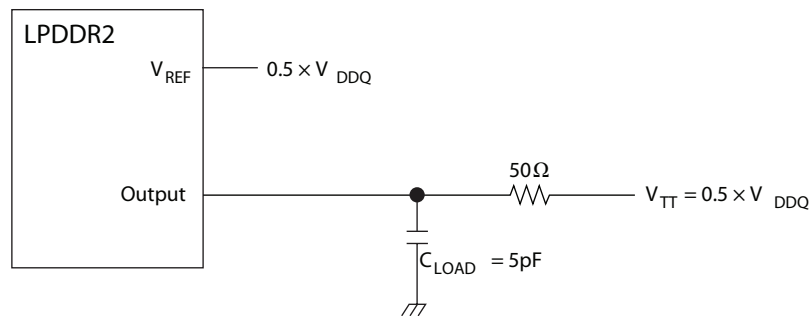
Notes:

1. VDD stands for VDDCA for CA[9:0], CK, CK#, CS#, and CKE. VDD stands for VDDQ for DQ, DM, DQS, and DQS#.
2. VSS stands for VSSCA for CA[9:0], CK, CK#, CS#, and CKE. VSS stands for VSSQ for DQ, DM, DQS, and DQS#.

HSUL_12 Driver Output Timing Reference Load

The timing reference loads are not intended as a precise representation of any particular system environment or a depiction of the actual load presented by a production tester. System designers should use IBIS or other simulation tools to correlate the timing reference load to a system environment. Manufacturers correlate to their production test conditions, generally with one or more coaxial transmission lines terminated at the tester electronics.

HSUL_12 Driver Output Reference Load for Timing and Slew Rate



Note: All output timing parameter values (tDQSCK, tDQSQ, tQHS, tHZ, tRPRE etc.) are reported with respect to this reference load. This reference load is also used to report slew rate.

Output Driver Impedance

The output driver impedance is selected by a mode register during initialization. The selected value is able to maintain the tight tolerances specified if proper ZQ calibration is performed. Output specifications refer to the default output driver unless specifically

stated otherwise. A functional representation of the output buffer is shown in bellow. The output driver impedance RON is defined by the value of the external reference resistor RZQ as follows:

$$RON_{PU} = (V_{DDQ} - V_{OUT}) / ABS(I_{OUT})$$

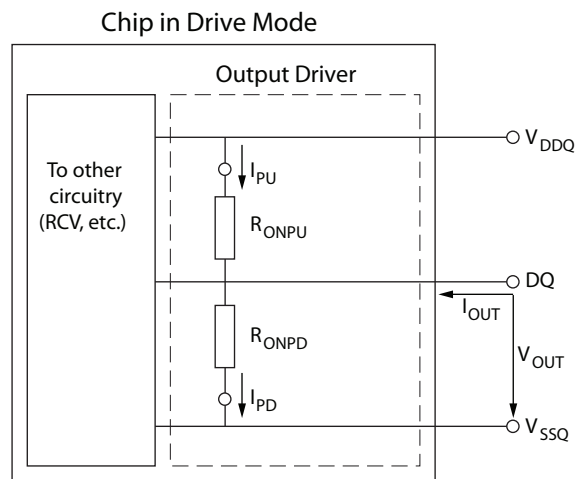
When RONPD is turned off.

$$RON_{PD} = V_{OUT} / ABS(I_{OUT})$$

When RONPU is turned off.

Output Driver

Chip in drive mode



Output Driver Impedance Characteristics with ZQ Calibration

Output driver impedance is defined by the value of the external reference resistor RZQ. Typical RZQ is 240 ohms.

Output Driver DC Electrical Characteristics with ZQ Calibration

| R _{ONnom} | Resistor | V _{OUT} | Min | Typ | Max | Unit | Notes |
|--|----------------------|------------------------|--------|------|--------|--------------------|-------|
| 34.3Ω | R _{ON34PD} | 0.5 × V _{DDQ} | 0.85 | 1.00 | 1.15 | R _{ZQ} /7 | |
| | R _{ON34PU} | 0.5 × V _{DDQ} | 0.85 | 1.00 | 1.15 | R _{ZQ} /7 | |
| 40.0Ω | R _{ON40PD} | 0.5 × V _{DDQ} | 0.85 | 1.00 | 1.15 | R _{ZQ} /6 | |
| | R _{ON40PU} | 0.5 × V _{DDQ} | 0.85 | 1.00 | 1.15 | R _{ZQ} /6 | |
| 48.0Ω | R _{ON48PD} | 0.5 × V _{DDQ} | 0.85 | 1.00 | 1.15 | R _{ZQ} /5 | |
| | R _{ON48PU} | 0.5 × V _{DDQ} | 0.85 | 1.00 | 1.15 | R _{ZQ} /5 | |
| 60.0Ω | R _{ON60PD} | 0.5 × V _{DDQ} | 0.85 | 1.00 | 1.15 | R _{ZQ} /4 | |
| | R _{ON60PU} | 0.5 × V _{DDQ} | 0.85 | 1.00 | 1.15 | R _{ZQ} /4 | |
| 80.0Ω | R _{ON80PD} | 0.5 × V _{DDQ} | 0.85 | 1.00 | 1.15 | R _{ZQ} /3 | |
| | R _{ON80PU} | 0.5 × V _{DDQ} | 0.85 | 1.00 | 1.15 | R _{ZQ} /3 | |
| 120.0Ω | R _{ON120PD} | 0.5 × V _{DDQ} | 0.85 | 1.00 | 1.15 | R _{ZQ} /2 | |
| | R _{ON120PU} | 0.5 × V _{DDQ} | 0.85 | 1.00 | 1.15 | R _{ZQ} /2 | |
| Mismatch between pull-up and pull-down | MM _{PUPD} | | -15.00 | | +15.00 | % | 5 |

Notes:

1. Applies across entire operating temperature range after calibration.
2. RZQ = 240Ω.
3. The tolerance limits are specified after calibration, with fixed voltage and temperature. For behavior of the tolerance limits if temperature or voltage changes after calibration.
4. Pull-down and pull-up output driver impedances should be calibrated at 0.5 × VDDQ.
5. Measurement definition for mismatch between pull-up and pull-down, MMPUPD:
Measure RONPU and RONPD, both at 0.5 × VDDQ:
MMPUPD = (RONPU – RONPD) / RON,nom) × 100
For example, with MMPUPD (MAX) = 15% and RONPD = 0.85, RONPU must be less than 1.0.

Output Driver Temperature and Voltage Sensitivity

If temperature and/or voltage change after calibration, the tolerance limits widen

Output Driver Sensitivity Definition

| Symbol | Parameter | Min | Max | Unit |
|-------------------|---|------|------|------|
| R _{ONPD} | R _{ON} temperature sensitivity | 0.00 | 0.75 | %/°C |
| R _{ONPU} | R _{ON} voltage sensitivity | 0.00 | 0.20 | %/mV |

Notes:

1. $\Delta T = T - T$ (at calibration). $\Delta V = V - V$ (at calibration).
2. dRONdT and dRONdV are not subject to production testing; they are verified by design and characterization.

Output Driver Temperature and Voltage Sensitivity

| Symbol | Parameter | Min | Max | Unit |
|-------------------|---|------|------|------|
| R _{ONPD} | R _{ON} temperature sensitivity | 0.00 | 0.75 | %/°C |
| R _{ONPU} | R _{ON} voltage sensitivity | 0.00 | 0.20 | %/mV |

Output Impedance Characteristics Without ZQ Calibration

Output driver impedance is defined by design and characterization as the default setting.

Output Driver DC Electrical Characteristics Without ZQ Calibration

| R _{ON nom} | Resistor | V _{OUT} | Min | Typ | Max | Unit |
|---------------------|----------------------|------------------------|------|------|------|--------------------|
| 34.3Ω | R _{ON34PD} | 0.5 × V _{DDQ} | 0.70 | 1.00 | 1.30 | R _{ZQ} /7 |
| | R _{ON34PU} | 0.5 × V _{DDQ} | 0.70 | 1.00 | 1.30 | R _{ZQ} /7 |
| 40.0Ω | R _{ON40PD} | 0.5 × V _{DDQ} | 0.70 | 1.00 | 1.30 | R _{ZQ} /6 |
| | R _{ON40PU} | 0.5 × V _{DDQ} | 0.70 | 1.00 | 1.30 | R _{ZQ} /6 |
| 48.0Ω | R _{ON48PD} | 0.5 × V _{DDQ} | 0.70 | 1.00 | 1.30 | R _{ZQ} /5 |
| | R _{ON48PU} | 0.5 × V _{DDQ} | 0.70 | 1.00 | 1.30 | R _{ZQ} /5 |
| 60.0Ω | R _{ON60PD} | 0.5 × V _{DDQ} | 0.70 | 1.00 | 1.30 | R _{ZQ} /4 |
| | R _{ON60PU} | 0.5 × V _{DDQ} | 0.70 | 1.00 | 1.30 | R _{ZQ} /4 |
| 80.0Ω | R _{ON80PD} | 0.5 × V _{DDQ} | 0.70 | 1.00 | 1.30 | R _{ZQ} /3 |
| | R _{ON80PU} | 0.5 × V _{DDQ} | 0.70 | 1.00 | 1.30 | R _{ZQ} /3 |
| 120.0Ω | R _{ON120PD} | 0.5 × V _{DDQ} | 0.70 | 1.00 | 1.30 | R _{ZQ} /2 |
| | R _{ON120PU} | 0.5 × V _{DDQ} | 0.70 | 1.00 | 1.30 | R _{ZQ} /2 |

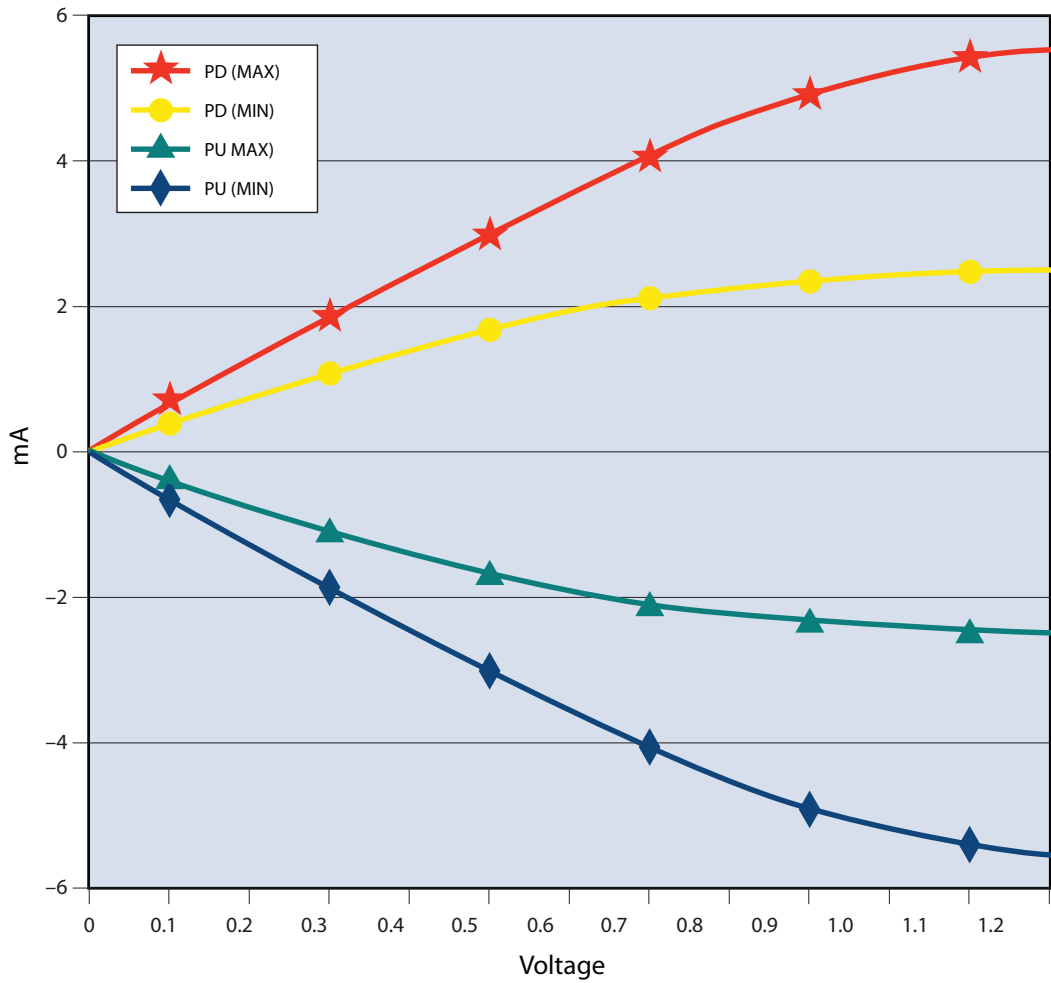
Notes:

1. Applies across entire operating temperature range, without calibration.
2. R_{ZQ} = 240Ω

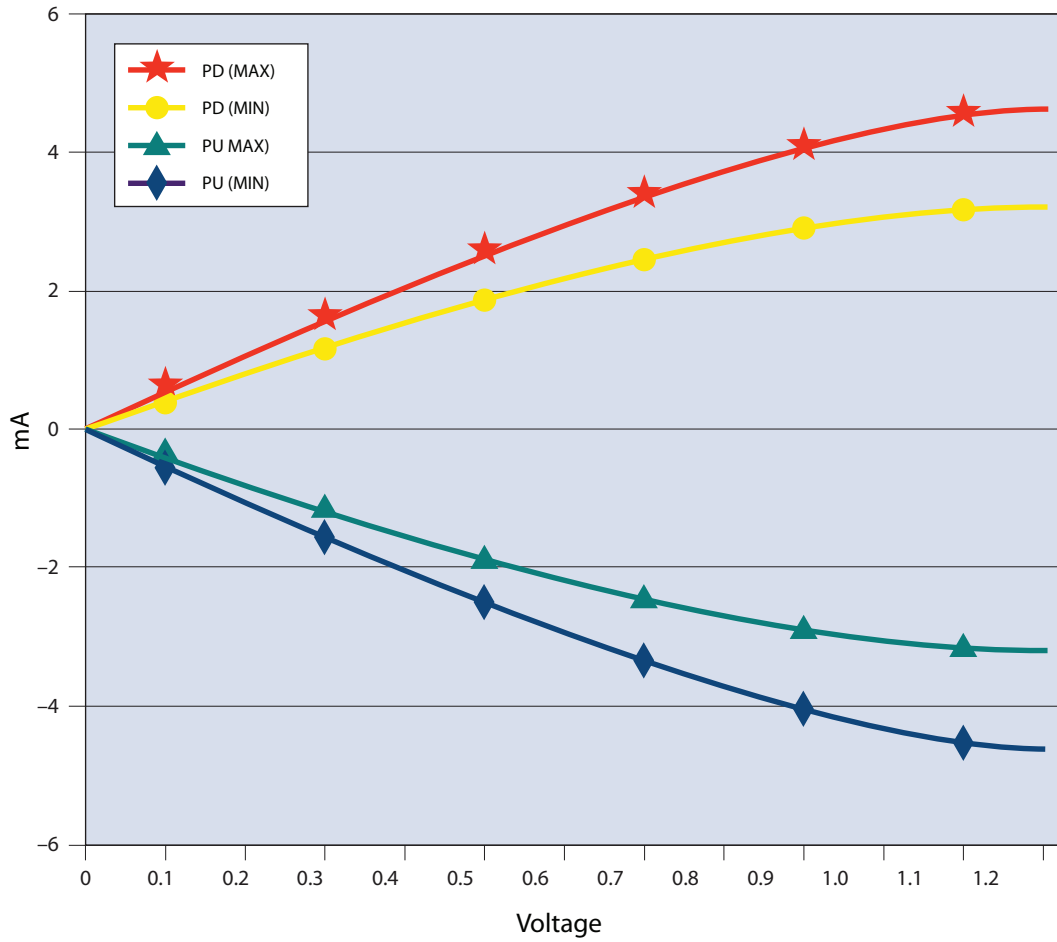
I-V Curves

| Voltage (V) | $R_{ON} = 240\Omega (R_{ZQ})$ | | | | | | | |
|-------------|--------------------------------|----------|------------------|----------|--------------------------------|----------|------------------|----------|
| | Pull-Down | | | | Pull-Up | | | |
| | Current (mA) / R_{ON} (ohms) | | | | Current (mA) / R_{ON} (ohms) | | | |
| | Default Value after ZQRESET | | With Calibration | | Default Value after ZQRESET | | With Calibration | |
| | Min (mA) | Max (mA) | Min (mA) | Max (mA) | Min (mA) | Max (mA) | Min (mA) | Max (mA) |
| 0.00 | 0.00 | 0.00 | 0.00 | 0.00 | 0.00 | 0.00 | 0.00 | 0.00 |
| 0.05 | 0.19 | 0.32 | 0.21 | 0.26 | -0.19 | -0.32 | -0.21 | -0.26 |
| 0.10 | 0.38 | 0.64 | 0.40 | 0.53 | -0.38 | -0.64 | -0.40 | -0.53 |
| 0.15 | 0.56 | 0.94 | 0.60 | 0.78 | -0.56 | -0.94 | -0.60 | -0.78 |
| 0.20 | 0.74 | 1.26 | 0.79 | 1.04 | -0.74 | -1.26 | -0.79 | -1.04 |
| 0.25 | 0.92 | 1.57 | 0.98 | 1.29 | -0.92 | -1.57 | -0.98 | -1.29 |
| 0.30 | 1.08 | 1.86 | 1.17 | 1.53 | -1.08 | -1.86 | -1.17 | -1.53 |
| 0.35 | 1.25 | 2.17 | 1.35 | 1.79 | -1.25 | -2.17 | -1.35 | -1.79 |
| 0.40 | 1.40 | 2.46 | 1.52 | 2.03 | -1.40 | -2.46 | -1.52 | -2.03 |
| 0.45 | 1.54 | 2.74 | 1.69 | 2.26 | -1.54 | -2.74 | -1.69 | -2.26 |
| 0.50 | 1.68 | 3.02 | 1.86 | 2.49 | -1.68 | -3.02 | -1.86 | -2.49 |
| 0.55 | 1.81 | 3.30 | 2.02 | 2.72 | -1.81 | -3.30 | -2.02 | -2.72 |
| 0.60 | 1.92 | 3.57 | 2.17 | 2.94 | -1.92 | -3.57 | -2.17 | -2.94 |
| 0.65 | 2.02 | 3.83 | 2.32 | 3.15 | -2.02 | -3.83 | -2.32 | -3.15 |
| 0.70 | 2.11 | 4.08 | 2.46 | 3.36 | -2.11 | -4.08 | -2.46 | -3.36 |
| 0.75 | 2.19 | 4.31 | 2.58 | 3.55 | -2.19 | -4.31 | -2.58 | -3.55 |
| 0.80 | 2.25 | 4.54 | 2.70 | 3.74 | -2.25 | -4.54 | -2.70 | -3.74 |
| 0.85 | 2.30 | 4.74 | 2.81 | 3.91 | -2.30 | -4.74 | -2.81 | -3.91 |
| 0.90 | 2.34 | 4.92 | 2.89 | 4.05 | -2.34 | -4.92 | -2.89 | -4.05 |
| 0.95 | 2.37 | 5.08 | 2.97 | 4.23 | -2.37 | -5.08 | -2.97 | -4.23 |
| 1.00 | 2.41 | 5.20 | 3.04 | 4.33 | -2.41 | -5.20 | -3.04 | -4.33 |
| 1.05 | 2.43 | 5.31 | 3.09 | 4.44 | -2.43 | -5.31 | -3.09 | -4.44 |
| 1.10 | 2.46 | 5.41 | 3.14 | 4.52 | -2.46 | -5.41 | -3.14 | -4.52 |
| 1.15 | 2.48 | 5.48 | 3.19 | 4.59 | -2.48 | -5.48 | -3.19 | -4.59 |
| 1.20 | 2.50 | 5.55 | 3.23 | 4.65 | -2.50 | -5.55 | -3.23 | -4.65 |

Output Impedance = 240 Ohms, I-V Curves After ZQRESET



Output Impedance = 240 Ohms, I-V Curves After Calibration



Clock Specification

The specified clock jitter is a random jitter with Gaussian distribution. Input clocks violating minimum or maximum values may result in device malfunction.

Definitions and Calculations

| Symbol | Description | Calculation | Notes |
|----------------------------|---|--|-------|
| $t_{CK(ave)}$ and n_{CK} | The average clock period across any consecutive 200-cycle window. Each clock period is calculated from rising clock edge to rising clock edge. Unit $t_{CK(ave)}$ represents the actual clock average $t_{CK(ave)}$ of the input clock under operation. Unit n_{CK} represents one clock cycle of the input clock, counting from actual clock edge to actual clock edge. $t_{CK(ave)}$ can change no more than $\pm 1\%$ within a 100-clock-cycle window, provided that all jitter and timing specifications are met. | $t_{CK(ave)} = \left(\sum_{j=1}^N t_{CK_j} \right) / N$ Where $N = 200$ | |
| $t_{CK(abs)}$ | The absolute clock period, as measured from one rising clock edge to the next consecutive rising clock edge. | | 1 |
| $t_{CH(ave)}$ | The average HIGH pulse width, as calculated across any 200 consecutive HIGH pulses. | $t_{CH(ave)} = \left(\sum_{j=1}^N t_{CH_j} \right) / (N \times t_{CK(ave)})$ Where $N = 200$ | |
| $t_{CL(ave)}$ | The average LOW pulse width, as calculated across any 200 consecutive LOW pulses. | $t_{CL(ave)} = \left(\sum_{j=1}^N t_{CL_j} \right) / (N \times t_{CK(ave)})$ Where $N = 200$ | |
| $t_{JIT(per)}$ | The single-period jitter defined as the largest deviation of any signal t_{CK} from $t_{CK(ave)}$. | $t_{JIT(per)} = \min/\max \text{ of } \left\{ t_{CK_i} - t_{CK(ave)} \right\}$ Where $i = 1$ to 200 | 1 |
| $t_{JIT(per),act}$ | The actual clock jitter for a given system. | | |
| $t_{JIT(per),allowed}$ | The specified clock period jitter allowance. | | |
| $t_{JIT(cc)}$ | The absolute difference in clock periods between two consecutive clock cycles. $t_{JIT(cc)}$ defines the cycle-to-cycle jitter. | $t_{JIT(cc)} = \max \text{ of } \left\{ t_{CK_{i+1}} - t_{CK_i} \right\}$ | 1 |
| $t_{ERR(nper)}$ | The cumulative error across n multiple consecutive cycles from $t_{CK(ave)}$. | $t_{ERR(nper)} = \left(\sum_{j=i}^{i+n-1} t_{CK_j} \right) - (n \times t_{CK(ave)})$ | 1 |
| $t_{ERR(nper),act}$ | The actual cumulative error over n cycles for a given system. | | |
| $t_{ERR(nper),allowed}$ | The specified cumulative error allowance over n cycles. | | |
| $t_{ERR(nper),min}$ | The minimum $t_{ERR(nper)}$. | $t_{ERR(nper),min} = (1 + 0.68LN(n)) \times t_{JIT(per),min}$ | 2 |

| Symbol | Description | Calculation | Notes |
|---------------------|--|--|-------|
| $t_{ERR(nper),max}$ | The maximum $t_{ERR(nper)}$. | $t_{ERR(nper),max} = (1 + 0.68LN(n)) \times t_{JIT(per),max}$ | 2 |
| $t_{JIT(duty)}$ | Defined with absolute and average specifications for t_{CH} and t_{CL} , respectively. | $t_{JIT(duty),min} =$ $MIN((t_{CH(abs),min} - t_{CH(avg),min}),$ $(t_{CL(abs),min} - t_{CL(avg),min}) \times t_{CK(avg)}$ $t_{JIT(duty),max} =$ $MAX((t_{CH(abs),max} - t_{CH(avg),max}),$ $(t_{CL(abs),max} - t_{CL(avg),max}) \times t_{CK(avg)}$ | |

Notes:

1. Not subject to production testing.
2. Using these equations, $t_{ERR(nper)}$ tables can be generated for each $t_{JIT(per),act}$ value.

$t_{CK(abs)}$, $t_{CH(abs)}$, and $t_{CL(abs)}$

These parameters are specified with their average values; however, the relationship between the average timing and the absolute instantaneous timing (defined in the following table) is applicable at all times.

$t_{CK(abs)}$, $t_{CH(abs)}$, and $t_{CL(abs)}$ Definitions

| Parameter | Symbol | Minimum | Unit |
|---------------------------------|---------------|---|-----------------|
| Absolute clock period | $t_{CK(abs)}$ | $t_{CK(avg),min} + t_{JIT(per),min}$ | ps ¹ |
| Absolute clock HIGH pulse width | $t_{CH(abs)}$ | $t_{CH(avg),min} + t_{JIT(duty),min}^2/t_{CK(avg),min}$ | $t_{CK(avg)}$ |
| Absolute clock LOW pulse width | $t_{CL(abs)}$ | $t_{CL(avg),min} + t_{JIT(duty),min}^2/t_{CK(avg),min}$ | $t_{CK(avg)}$ |

Notes:

1. $t_{CK(avg),min}$ is expressed in ps for this table.
2. $t_{JIT(duty),min}$ is a negative value

Clock Period Jitter

LPDDR2 devices can tolerate some clock period jitter without core timing parameter derating. This section describes device timing requirements with clock period jitter ($t_{JIT(per)}$) in excess of the values found in the AC Timing section. Calculating cycle time derating and clock cycle derating are also described.

Clock Period Jitter Effects on Core Timing Parameters

Core timing parameters (t_{RCD} , t_{RP} , t_{RTP} , t_{WR} , t_{WRA} , t_{WTR} , t_{RC} , t_{RAS} , t_{RRD} , t_{FAW}) extend across multiple clock cycles. Clock period jitter impacts these parameters when measured in numbers of clock cycles. Within the specification limits, the device is characterized

and verified to support $t_{nPARAM} = RU[t_{PARAM}/t_{CK}(avg)]$. During device operation where clock jitter is outside specification limits, the number of clocks or $t_{CK}(avg)$, may need to be increased based on the values for each core timing parameter.

Cycle Time Derating for Core Timing Parameters

For a given number of clocks (t_{nPARAM}), when $t_{CK}(avg)$ and $t_{ERR}(t_{nPARAM})$ exceed $t_{ERR}(t_{nPARAM}),allowed$, cycle time derating may be required for core timing parameters.

$$CycleTimeDerating = \max \left\{ \left[\frac{t_{PARAM} + t_{ERR}(t_{nPARAM}),act} - t_{ERR}(t_{nPARAM}),allowed}{t_{nPARAM}} - t_{CK}(avg) \right], 0 \right\}$$

Conduct cycle time derating analysis for each core timing parameter. The amount of cycle time derating required is the maximum of the cycle time deratings determined for each individual core timing parameter.

Clock Cycle Derating for Core Timing Parameters

For each core timing parameter and a given number of clocks (t_{nPARAM}), clock cycle derating should be specified with $t_{JIT(per)}$. For a given number of clocks (t_{nPARAM}), when $t_{CK}(avg)$ and $(t_{ERR}(t_{nPARAM}),act)$ exceed the supported cumulative $t_{ERR}(t_{nPARAM}),allowed$, if the equation below results in a positive value for a core timing parameter (t_{CORE}), the required clock cycle derating (in clocks) will be that positive value.

$$ClockCycleDerating = RU \left\{ \frac{t_{PARAM} + t_{ERR}(t_{nPARAM}),act} - t_{ERR}(t_{nPARAM}),allowed}{t_{CK}(avg)} \right\} - t_{nPARAM}$$

Conduct cycle-time derating analysis for each core timing parameter.

Clock Jitter Effects on Command/Address Timing Parameters

Command/address timing parameters (t_{IS} , t_{IH} , t_{ISCKE} , t_{IHCKE} , t_{ISb} , t_{IHb} , t_{ISCKEb} , t_{IHCKEb}) are measured from a command/address signal (CKE, CS, or CA[9:0]) transition edge to its respective clock signal (CK/CK#) crossing. The specification values are not affected by the $t_{JIT(per)}$ applied, as the setup and hold times are relative to the clock signal crossing that latches the command/address. Regardless of clock jitter values, these values must be met.

Clock Jitter Effects on READ Timing Parameters

t_{RPRE}

When the device is operated with input clock jitter, t_{RPRE} must be derated by the $t_{JIT(per),act,max}$ of the input clock that exceeds $t_{JIT(per),allowed,max}$. Output deratings are relative to the input clock.

$$t_{RPRE(min,derated)} = 0.9 - \left(\frac{t_{JIT(per),act,max} - t_{JIT(per),allowed,max}}{t_{CK(avg)}} \right)$$

For example, if the measured jitter into a LPDDR2-800 device has $t_{CK(avg)} = 2500ps$, $t_{JIT(per),act,min} = -172ps$, and $t_{JIT(per),act,max} = +193ps$, then $t_{RPRE,min,derated} = 0.9 - (t_{JIT(per),act,max} - t_{JIT(per),allowed,max})/t_{CK(avg)} = 0.9 - (193 - 100)/2500 = 0.8628 t_{CK(avg)}$.

$t_{LZ(DQ)}$, $t_{HZ(DQ)}$, t_{DQSCK} , $t_{LZ(DQS)}$, $t_{HZ(DQS)}$

These parameters are measured from a specific clock edge to a data signal transition (DM_n or DQ_m, where: $n = 0, 1, 2, \text{ or } 3$; and $m = DQ[31:0]$), and specified timings must be met with respect to that clock edge. Therefore, they are not affected by $t_{JIT(per)}$.

t_{QSH} , t_{QSL}

These parameters are affected by duty cycle jitter, represented by $t_{CH(abs)min}$ and $t_{CL(abs)min}$. Therefore $t_{QSH(abs)min}$ and $t_{QSL(abs)min}$ can be specified with $t_{CH(abs)min}$ and $t_{CL(abs)min}$. $t_{QSH(abs)min} = t_{CH(abs)min} - 0.05 t_{QSL(abs)min}$ and $t_{QSL(abs)min} = t_{CL(abs)min} - 0.05 t_{QSH(abs)min}$. These parameters determine the absolute data-valid window at the device pin. The absolute minimum data-valid window at the device pin = $\min [(t_{QSH(abs)min} \times t_{CK(avg)min} - t_{DQSQmax} - t_{QHSmax}), (t_{QSL(abs)min} \times t_{CK(avg)min} - t_{DQSQmax} - t_{QHSmax})]$. This minimum data-valid window must be met at the target frequency regardless of clock jitter.

tRPST

tRPST is affected by duty cycle jitter, represented by tCL(abs). Therefore, tRPST(abs)min can be specified by tCL(abs)min. tRPST(abs)min = tCL(abs)min - 0.05 = tQSL(abs)min.

Clock Jitter Effects on WRITE Timing Parameters

tDS, tDH

These parameters are measured from a data signal (DMn or DQm, where n = 0, 1, 2, 3; and m = DQ[31:0]) transition edge to its respective data strobe signal (DQSn, DQSn#: n = 0, 1, 2, 3) crossing. The specification values are not affected by the amount of tJIT(per) applied, because the setup and hold times are relative to the clock signal crossing that latches the command/address. Regardless of clock jitter values, these values must be met.

tDSS, tDSH

These parameters are measured from a data strobe signal crossing (DQSx, DQSx#) to its clock signal crossing (CK/CK#). The specification values are not affected by the amount of tJIT(per) applied, because the setup and hold times are relative to the clock signal crossing that latches the command/address. Regardless of clock jitter values, these values must be met.

tDQSS

This parameter is measured from the clock signal (CK, /CK) crossing to the first latching data strobe signal (DQSx, /DQSx) crossing. When the device is operated with input clock jitter, this parameter must be derated by the actual tJIT(per),act of the input clock in excess of tJIT(per),allowed.

$$t_{DQSS}(\text{min,derated}) = 0.75 - \left[\frac{t_{JIT}(\text{per}),\text{act, min} - t_{JIT}(\text{per}),\text{allowed, min}}{t_{CK}(\text{avg})} \right]$$

$$t_{DQSS}(\text{max,derated}) = 1.25 - \left[\frac{t_{JIT}(\text{per}),\text{act, max} - t_{JIT}(\text{per}),\text{allowed, max}}{t_{CK}(\text{avg})} \right]$$

For example, if the measured jitter into an LPDDR2-800 device has tCK(avg) = 2500ps, tJIT(per),act,min = -172ps, and tJIT(per),act,max = +193ps, then:

tDQSS,(min,derated) = 0.75 - (tJIT(per),act,min - tJIT(per),allowed,min)/tCK(avg) = 0.75 - (-172 + 100)/2500 = 0.7788 tCK(avg), and
tDQSS,(max,derated) = 1.25 - (tJIT(per),act,max - tJIT(per),allowed,max)/tCK(avg) = 1.25 - (193 - 100)/2500 = 1.2128 tCK(avg).

ORDERING INFORMATION

Commercial Range: Tc = 0°C to +85°C

| Clock | Speed Grade | Order Part No. | Organization | Package |
|---------|-------------|-------------------|----------------------|-------------------------|
| 333 MHz | -3 | IS43LD16640A-3BL | 64Mb x 16, LPDDR2-S4 | 134 ball BGA, lead free |
| | | IS43LD32320A-3BL | 32Mb x 32, LPDDR2-S4 | 134 ball BGA, lead free |
| 400 MHz | -25 | IS43LD16640A-25BL | 64Mb x 16, LPDDR2-S4 | 134 ball BGA, lead free |
| | | IS43LD32320A-25BL | 32Mb x 32, LPDDR2-S4 | 134 ball BGA, lead free |

Industrial Range: Tc = -40°C to +85°C

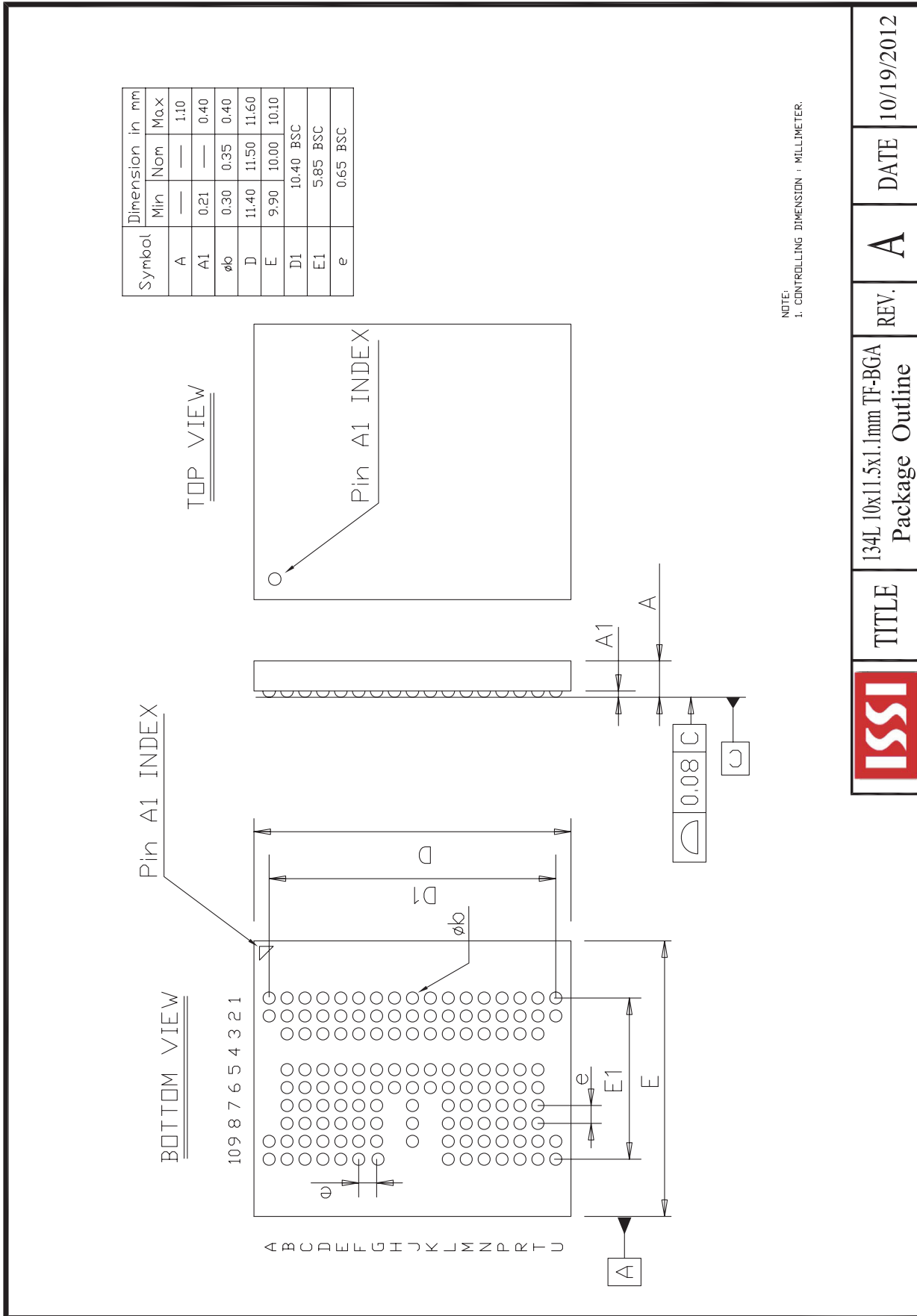
| Clock | Speed Grade | Order Part No. | Organization | Package |
|---------|-------------|--------------------|----------------------|-------------------------|
| 333 MHz | -3 | IS43LD16640A-3BLI | 64Mb x 16, LPDDR2-S4 | 134 ball BGA, lead free |
| | | IS43LD32320A-3BLI | 32Mb x 32, LPDDR2-S4 | 134 ball BGA, lead free |
| 400 MHz | -25 | IS43LD16640A-25BLI | 64Mb x 16, LPDDR2-S4 | 134 ball BGA, lead free |
| | | IS43LD32320A-25BLI | 32Mb x 32, LPDDR2-S4 | 134 ball BGA, lead free |

Automotive, A1 Range: Tc = -40°C to +85°C

| Clock | Speed Grade | Order Part No. | Organization | Package |
|---------|-------------|-----------------------|----------------------|-----------------------------|
| 333 MHz | -3 | IS46LD16640A-3BLA1 | 64Mb x 16, LPDDR2-S4 | 134 ball BGA, lead free |
| | | IS46LD32320A-3BLA1 | 32Mb x 32, LPDDR2-S4 | 134 ball BGA, lead free |
| | | IS46LD32320A-3BPLA1 | 32Mb x 32, LPDDR2-S4 | 168 ball PoP BGA, lead free |
| 400 MHz | -25 | IS46LD16640A-25BLA1 | 64Mb x 16, LPDDR2-S4 | 134 ball BGA, lead free |
| | | IS46LD32320A -25BLA1 | 32Mb x 32, LPDDR2-S4 | 134 ball BGA, lead free |
| | | IS46LD32320A -25BPLA1 | 32Mb x 32, LPDDR2-S4 | 168 ball PoP BGA, lead free |

Automotive, A2 Range: Tc = -40°C to +105°C

| Clock | Speed Grade | Order Part No. | Organization | Package |
|---------|-------------|-----------------------|----------------------|-----------------------------|
| 333 MHz | -3 | IS46LD16640A-3BLA2 | 64Mb x 16, LPDDR2-S4 | 134 ball BGA, lead free |
| | | IS46LD32320A-3BLA2 | 32Mb x 32, LPDDR2-S4 | 134 ball BGA, lead free |
| | | IS46LD32320A-3BPLA2 | 32Mb x 32, LPDDR2-S4 | 168 ball PoP BGA, lead free |
| 400 MHz | -25 | IS46LD16640A-25BLA2 | 64Mb x 16, LPDDR2-S4 | 134 ball BGA, lead free |
| | | IS46LD32320A -25BLA2 | 32Mb x 32, LPDDR2-S4 | 134 ball BGA, lead free |
| | | IS46LD32320A -25BPLA2 | 32Mb x 32, LPDDR2-S4 | 168 ball PoP BGA, lead free |



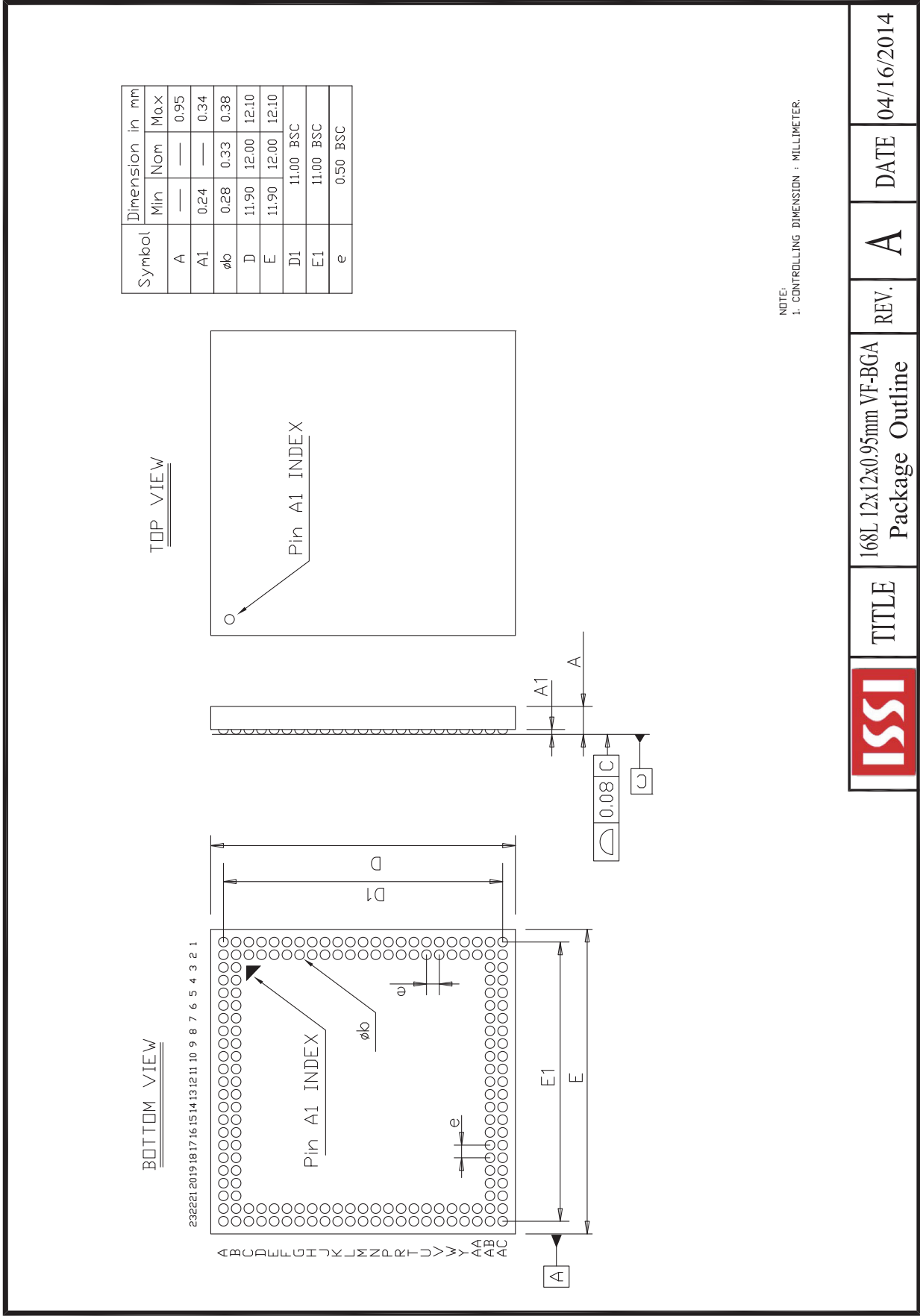
TITLE

134L 10x11.5x1.1mm TF-BGA
Package Outline

REV. A

DATE

10/19/2012



TITLE
168L 12x12x0.95mm VF-BGA
Package Outline

REV. A

DATE

04/16/2014