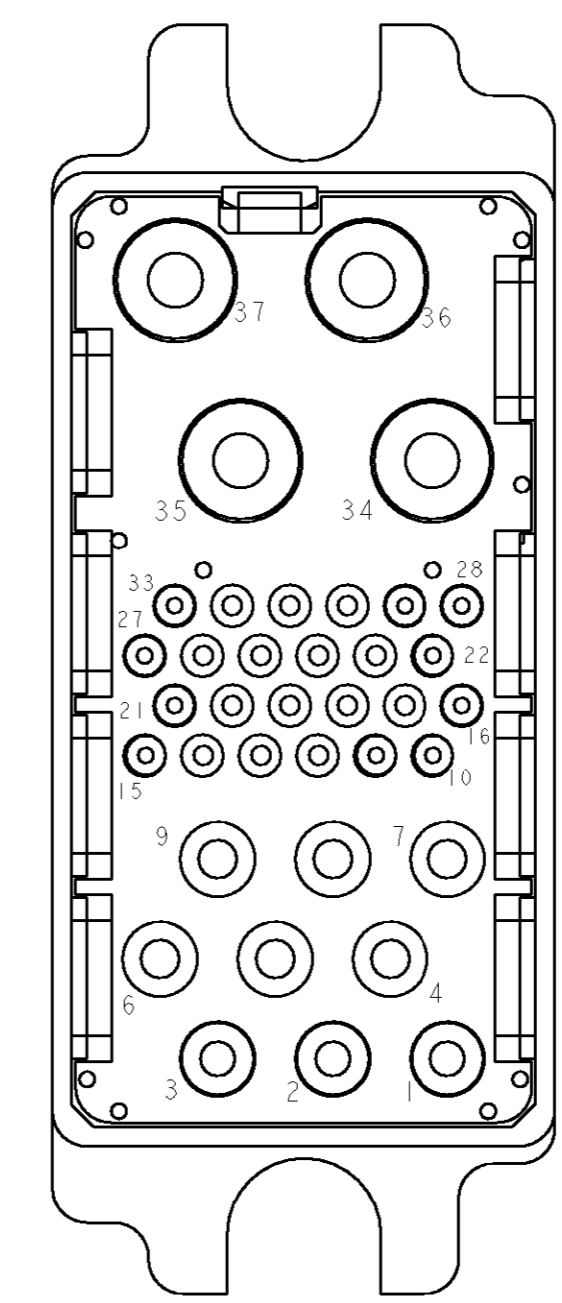
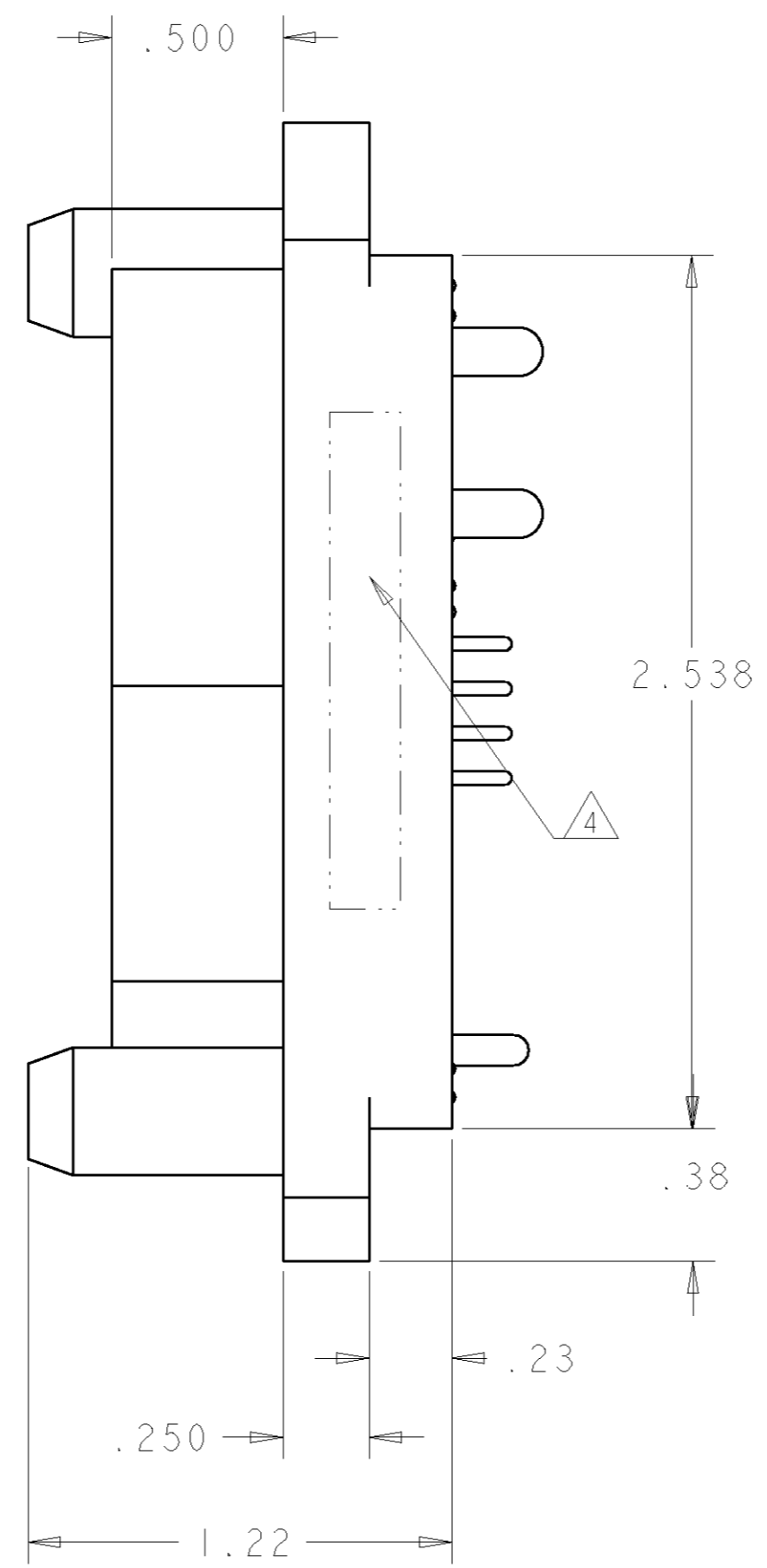
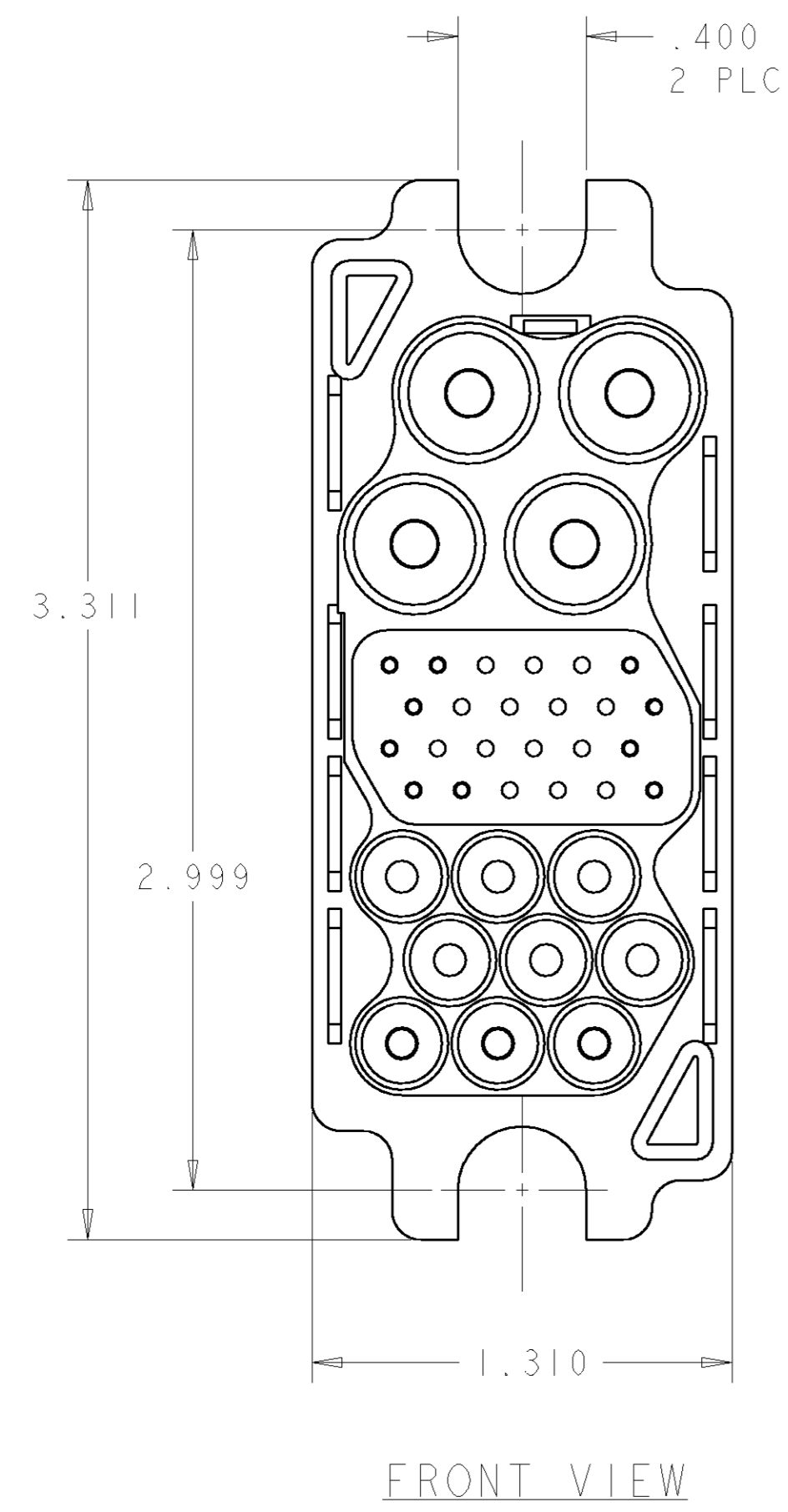


THIS DRAWING IS UNPUBLISHED. RELEASED FOR PUBLICATION 20
 © COPYRIGHT 20 BY TYCO ELECTRONICS CORPORATION. ALL RIGHTS RESERVED.

LOC	DIST	REVISIONS			
P	LTR	DESCRIPTION	DATE	DWN	APVD
GP	00				
	A	RELEASED	19JULY06	RG	DO
	B	REV PER ECO-07-011934	15MAY2007	JRP	PD



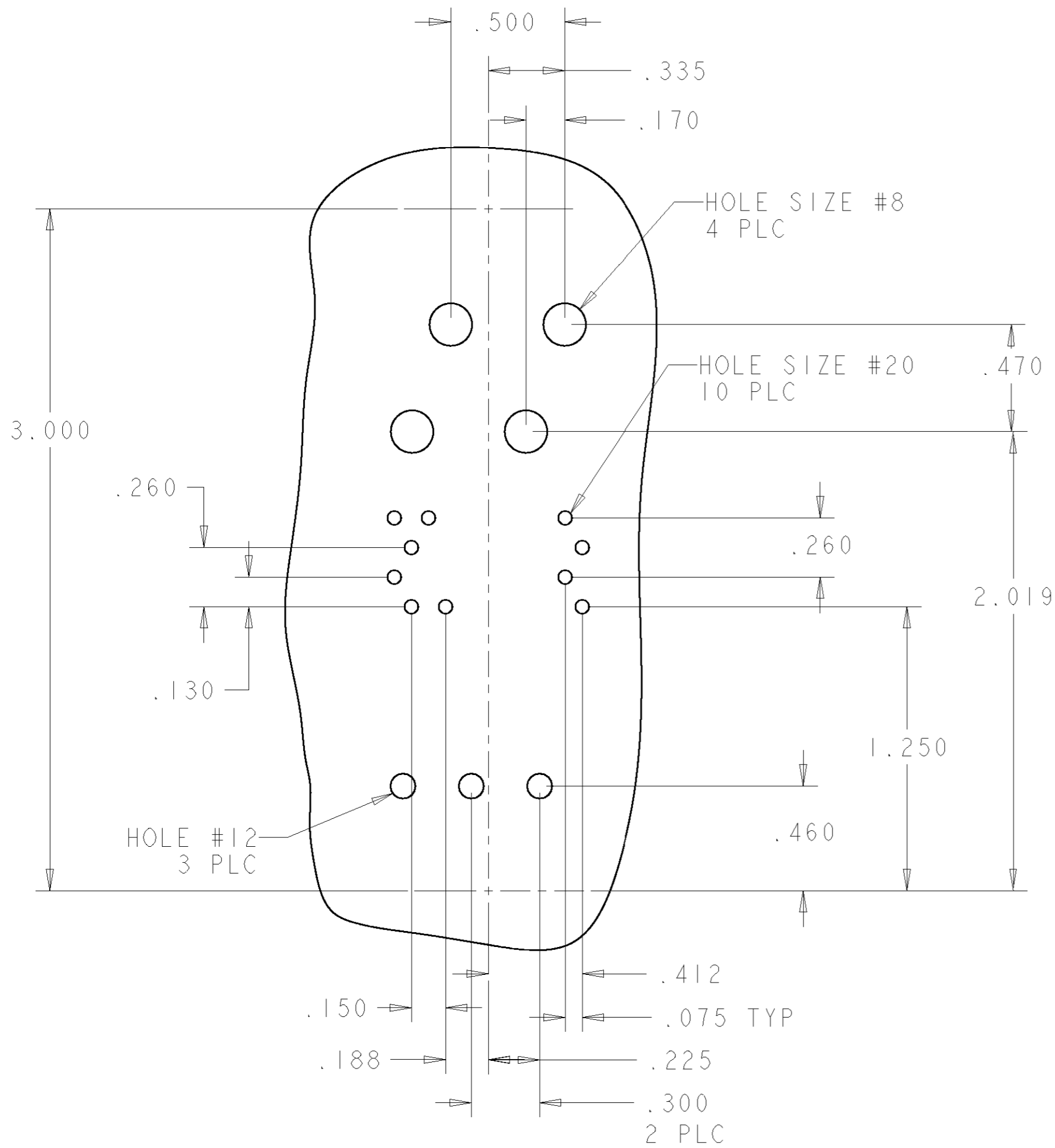
- PIN CONTACT, (B) (5)
SIZE #8
POSN. 34 THRU 37
- PIN CONTACT, (C) (D) (5)
SIZE #20
STD - POSN. 11, 15, 16, 21
 POSN. 27, 28, 29 & 33
POSTMATE - POSN. 10 & 22
- PIN CONTACT, (E) (F) (5)
SIZE #12
POSTMATE - POSN. 1 & 2
PREMATE - POSN. 3

ELCON 75A MIDDLE DRAWER

AS SHOWN	1926181-1
DESCRIPTION	PART NUMBER

THIS DRAWING IS A CONTROLLED DOCUMENT FOR TYCO ELECTRONICS CORPORATION IT IS SUBJECT TO CHANGE AND THE CONTROLLING ENGINEERING ORGANIZATION SHOULD BE CONTACTED FOR THE LATEST REVISION.		DWN R. GRZYBOWSKI 19JULY06	Tyco Electronics Harrisburg, PA 17105-3608
DIMENSIONS: INCHES		CHK D. ORRIS 19JULY06	
TOLERANCES UNLESS OTHERWISE SPECIFIED: 0 PLC ± 1 PLC ± 2 PLC ±.02 3 PLC ±.010 4 PLC ±0.0005 ANGLES ±.5		APVD D. ORRIS 19JULY06	NAME CONNECTOR, PIN PCB TAIL 75 AMP MIDDLE DRAWER
MATERIAL		PRODUCT SPEC -	SIZE A200779
FINISH		APPLICATION SPEC -	DRAWING NO G-1926181
		WEIGHT -	RESTRICTED TO -
		CUSTOMER DRAWING	SCALE 4:1 SHEET 1 OF 2 REV B

LOC		DIST		REVISIONS			
P	LTR	DESCRIPTION	DATE	DWN	APVD		
GP	00	-	SEE SHEET 1	-	-	-	-



PRINTED CIRCUIT BOARD LAYOUT
 VIEW FROM CONNECTOR MOUNTING SIDE

HOLE SIZE #8
 FINISHED HOLE: $\phi .152 \pm .003$
 DRILLED HOLE: $\phi .1540 \pm .0005$
 COPPER PLATE: .0010 MIN
 TIN PLATE: .0002 MIN THK.
 HOLE SIZE #12
 FINISHED HOLE: $\phi .104 \pm .003$
 DRILLED HOLE: $\phi .1065 \pm .0005$
 COPPER PLATE: .0010 MIN
 TIN PLATE: .0002 MIN THK.
 HOLE SIZE #20
 FINISHED HOLE: $\phi .047 \pm .003$
 DRILLED HOLE: $\phi .0453 \pm .0005$
 COPPER PLATE: .0010 MIN
 TIN PLATE: .0002 MIN THK.

- PART NUMBER CHANGES AND OR DESIGN CHANGES AFFECTING THE INTERCHANGEABILITY REQUIRE PRIOR TYCO APPROVAL AND AUTHORIZATION BY REVISION TO THIS DRAWING.
- MATERIAL:
 INSULATOR: THERMOPLASTIC, GLASS REINFORCED, UL 94V-0
 FLAMMABILITY RATED, COLOR: BLACK
 CONTACT: BRASS ROD ALLOY
 RETENTION CLIP: COPPER ALLOY
- FINISH:
 CONTACTS SIZE #8 : .000200 MIN THK. SILVER OVER
 .000040 MIN NICKEL
 CONTACTS SIZE #12 : .000030 MIN THK. SILVER OVER
 .000040 MIN NICKEL
 CONTACTS SIZE #20 : .000030 MIN GOLD OVER
 .000040 MIN NICKEL

△ ITEMS PROVIDED TO THIS SPECIFICATION TO BE PERMANENTLY IDENTIFIED PER THE FOLLOWING IDENTIFIER:

TYCO PART NUMBER: XXXXXX-X
 DATE CODE (e.g. 0216): XXXX
 YEAR WEEK

△ PCB TAIL CONTACTS (ITEMS B THRU F) ARE INSERTABLE/ NON-REMOVABLE LOCATED AS SHOWN.

△5	F	1	1650074-3	CONTACT, PIN, SIZE #12, PCB TAIL, PREMATE.HP
△5	E	2	1650073-3	CONTACT, PIN, SIZE #12, PCB TAIL, POSTMATE.HP
△5	D	2	1650226-1	CONTACT, PIN, SIZE #20, PCB TAIL, POSTMATE
△5	C	8	1650283-1	CONTACT, PIN, SIZE #20, PCB TAIL, STD
△5	B	4	1766262-1	CONTACT, PIN, SIZE #8, PCB TAIL, STD
	A	1	1648163-2	HOUSING, PIN, FLUSH MOUNT
ITEM			PART NUMBER	DESCRIPTION

DIMENSIONS:		TOLERANCES UNLESS OTHERWISE SPECIFIED:		tyco Electronics	
INCHES		0 PLC ± 1 PLC ± 2 PLC ±.02 3 PLC ±.010 4 PLC ±0.0005 ANGLES ±.5		Tyco Electronics Harrisburg, PA 17105-3608	
MATERIAL		FINISH		NAME CONNECTOR, PIN PCB TAIL 75 AMP MIDDLE DRAWER	
				SIZE CAGE CODE DRAWING NO RESTRICTED TO A200779G-1926181	
				SCALE 4:1 SHEET 2 OF 2 REV B	