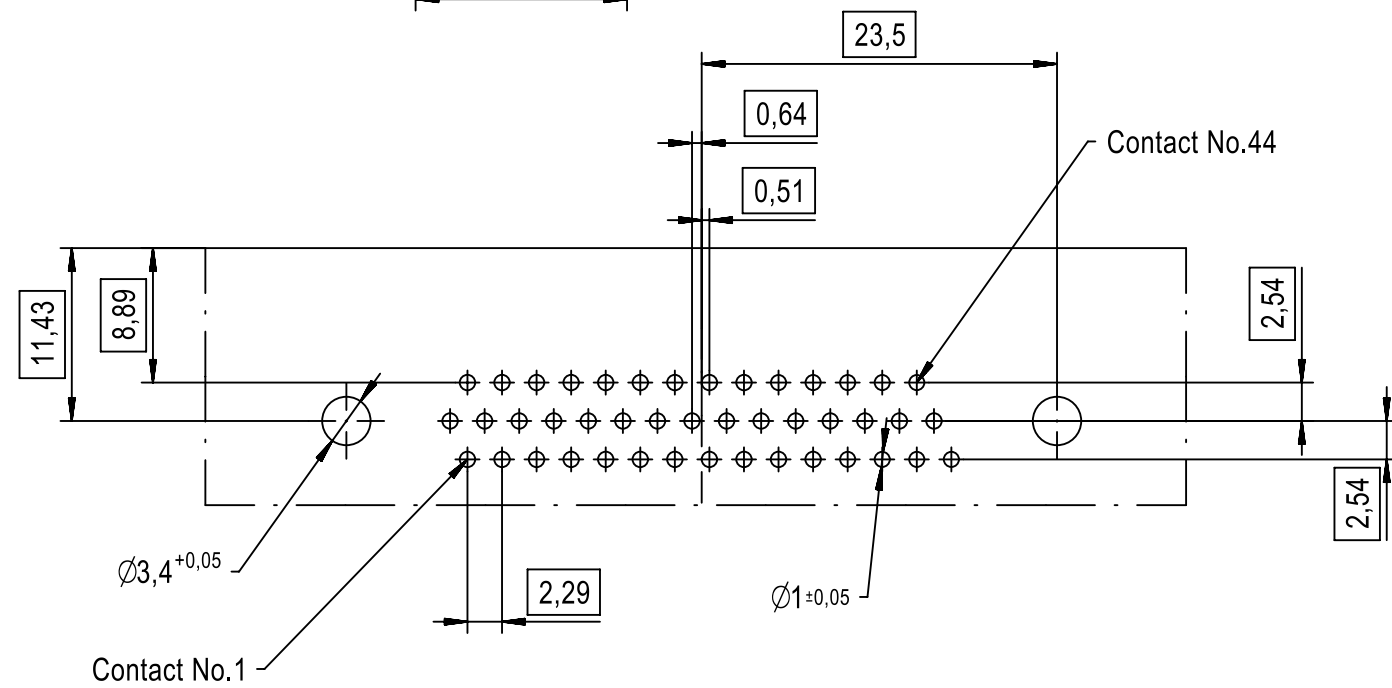
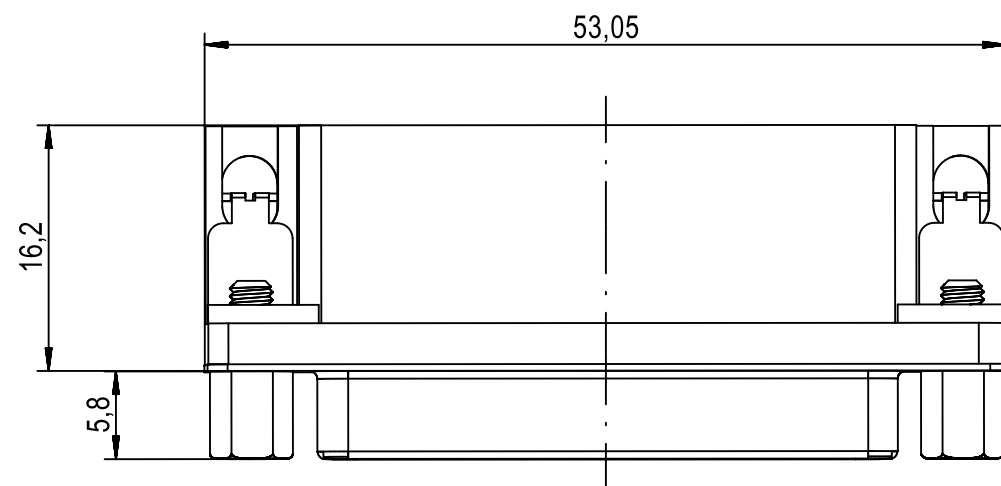


PC-Board layout  
view component side  
thickness 1,6 mm



09563525613	S4
09563527613	PL3
Part number	Performance level

	All rights reserved Department EC PD - FR	All Dimensions in mm Original Size DIN A3		Scale 2:1	Free size tol.	Ref. Sub.
		Created by DOUGE	Inspected by BAGDIKIAN	Standardisation HOFFMANN	Date 2013-10-25	State Final Release
HARTING Electronics GmbH D-32339 Espelkamp		Title D-Sub HD 44P female angled screw locks			Doc-Key / ECM-Nr. 100510346/UGD/001/D 50000065862	
		Type TB	Number 0956352X613		Rev. D	Page 1/1