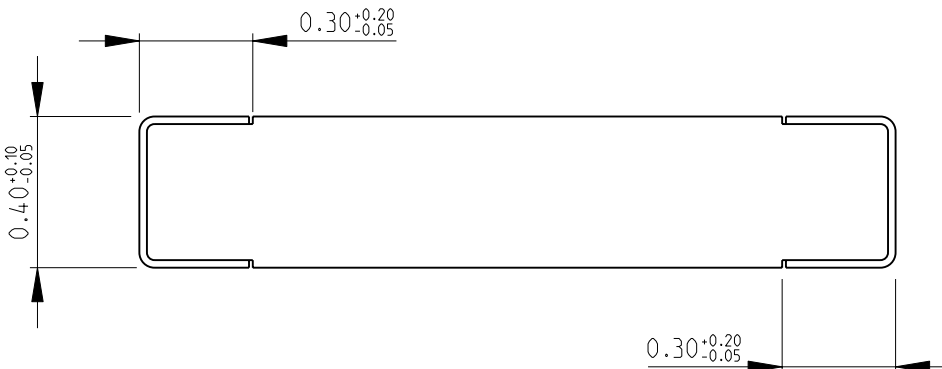
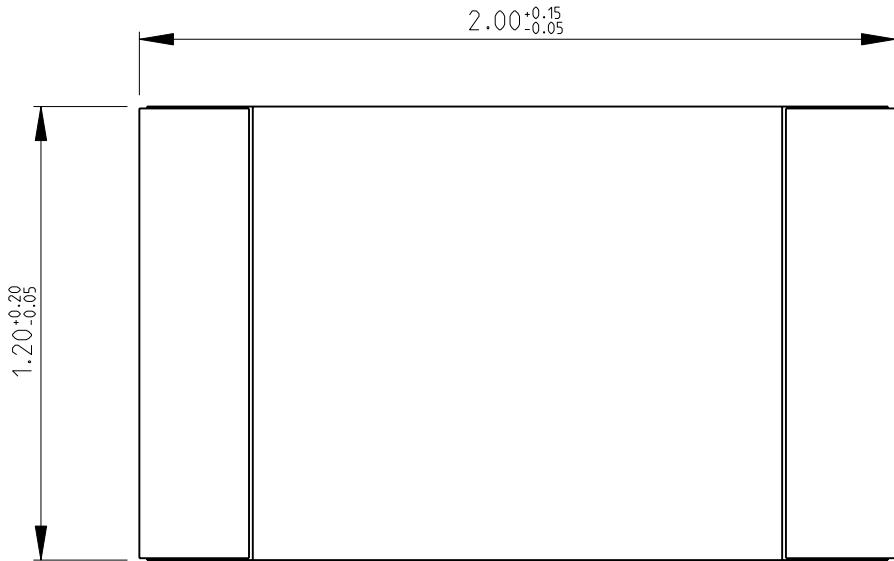
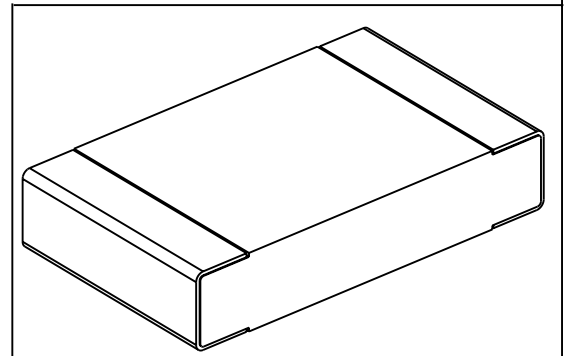


LOC	DIST	REVISIONS			
P	LTR	DESCRIPTION	DATE	DWN	APVD
E	B				
	BA	NEW RELEASE	15SEP2010	PT	St.P

FOR FURTHER INFORMATION SEE DATA SHEET FOR  
RH73 SERIES-SMD HIGH VALUE RESISTORS



RoHS Compliant



2008

RELEASED FOR PUBLICATION

THIS DRAWING IS UNPUBLISHED.

BY TYCO ELECTRONICS CORPORATION. ALL RIGHTS RESERVED.



DIMENSIONS: mm	DWN PARUSURAM T	15SEP2010	MATERIAL	-	FINISH	-
	CHK ALLAN.P	15SEP2010	Tyco Electronics Corporation Dorcan, Swindon, SN3 5HH			
TOLERANCES UNLESS OTHERWISE SPECIFIED:	APVD STEPHEN.P	15SEP2010				
	0 PLC ±0.2	PRODUCT SPEC	-	SIZE	CAGE CODE	DRAWING NO
1 PLC ±0.1	APPLICATION SPEC	-	A 4	00779	© = 1625856	-
2 PLC ±-	WEIGHT	-	CUSTOMER DRAWING			
3 PLC ±-			SCALE	50:1	SHEET	1 OF 1
4 PLC ±-			REV BA			
ANGLES ±5°						

