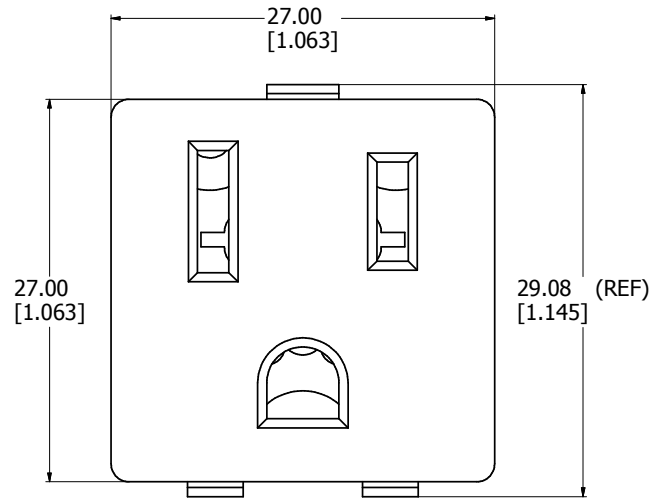
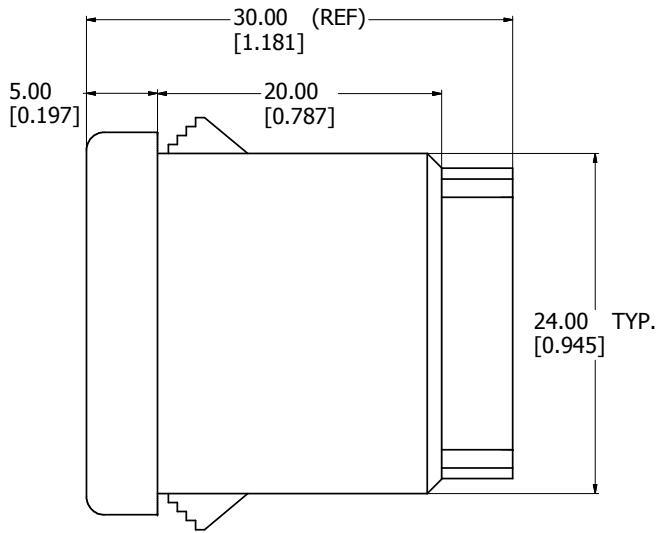


8 | 7 | 6 | 5 | 4 | 3 | 2 | 1

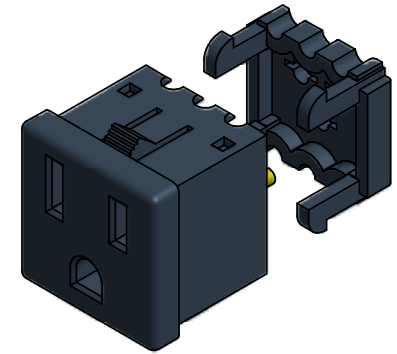
F  
E  
D  
C  
B  
A



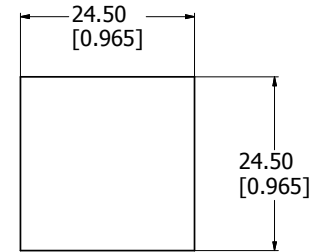
TOP VIEW



SIDE VIEW



ISOMETRIC VIEW



PANEL CUTOUT (NOT TO SCALE)

<b>1584SR</b>
Type - NEMA 5-15R, Black Nylon
Rating - 15 Amps, 125 VAC
Recommended Panel Thickness 0.8MM to 1.8MM
Use 14 AWG Solid Copper Wire (TEW Type, or Equivalent)



**HAMMOND  
MANUFACTURING™**

**1584SR**

8 | 7 | 6 | 5 | 4 | 3 | 2 | 1